



(exemplary colour illustration)

### Item

**057014001 Leap frog post (0,40)**

**057016001 Leap frog post (0,60)**

**057018001 Leap frog post (0,80)**

**057020001 Leap frog post (1,00)**

**057022001 Leap frog post (1,20)**

**057024001 Leap frog post (1,40)**


### Mounting instructions

1. for installation as *permanently installed public **playground equipment*** according to **EN 1176** (Pages: 1-2)
2. for installation as *permanently installed outdoor **fitness equipment*** according to **EN 16630** (Pages: 3-4)

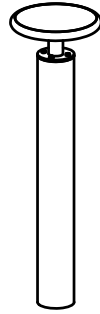


The delivered product is labelled with a round sticker stating the standard intended for use (EN 16630 or EN 1176).

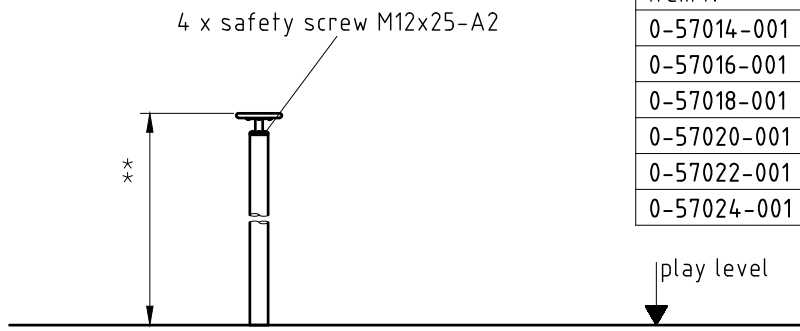
# Mounting instructions for installation as permanently installed public **playground equipment** according to **EN 1176**



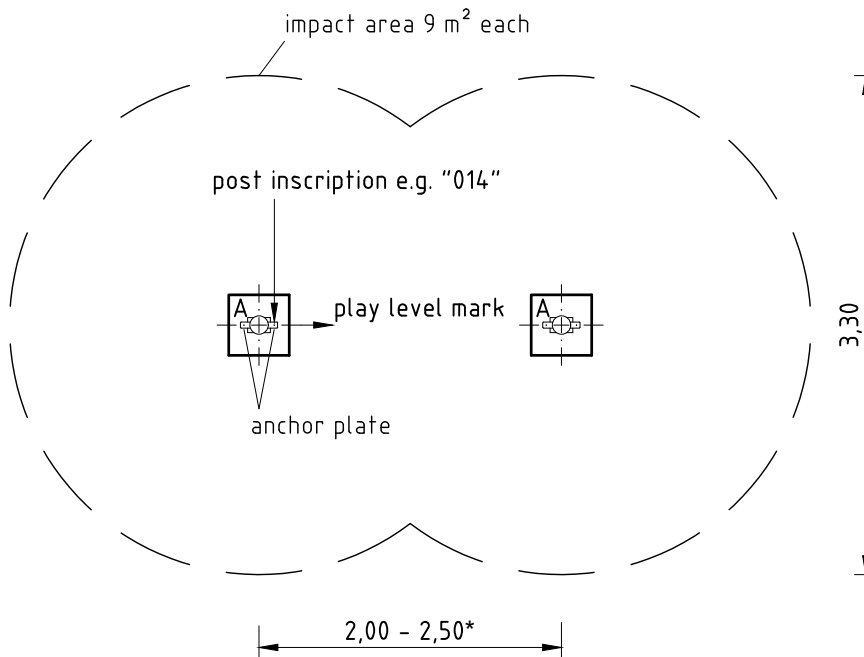
1. Assign a location for the equipment considering the space requirement (impact area).
2. Excavate soil for foundations, according to drawing.  
Please note: To achieve maximum stability and a safe installation, a moderate level of soil solubility is required.
3. Pour in a drain layer of gravel of approx. 10 cm thickness between the bottom of the steel post and plain base of foundation.
4. Put posts according to post number into their respective hole of foundation. Play level mark conforms to the mounting depth. Align posts by means of the play level mark, according to detail drawing respectively installation plan.
- 5. Attention: For installation of the pre-assembled components and/or single parts, the screws slightly have to be lubricated with installation paste!**
6. Grout foundations with compressed concrete C20/25, chamfer and round off the edges. The soil characteristics of the area surrounding the equipment must have an appropriate level of shock absorption corresponding to the free height of fall (according to EN 1176-1).
7. Release for play after concrete foundations have set.
8. Check all screw connections according to maintenance instructions after 4-5 weeks and retighten, if necessary.
9. Please take care that all special tools (e.g. special Allen key for secured Allen screws etc.) and all specific documents which are or may be useful for safety management according to EN 1176-7 (e.g. invoice, delivery note, order acknowledgement, installation instructions, maintenance instructions) are forwarded to the responsible persons.

# Mounting instructions for installation as permanently installed public **playground equipment** according to **EN 1176**

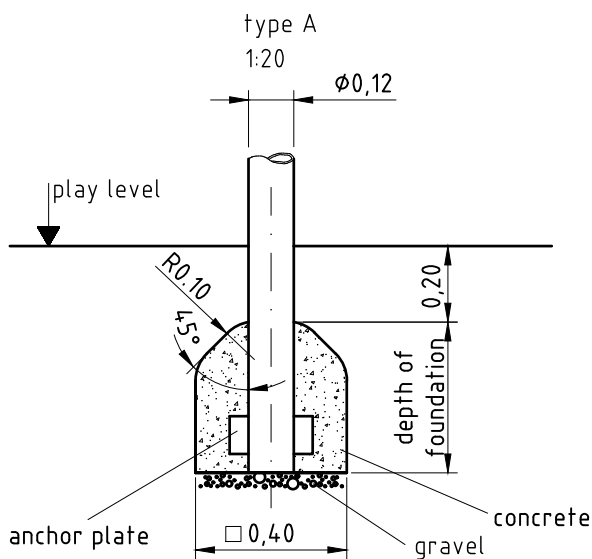
\*\*max. free height of fall



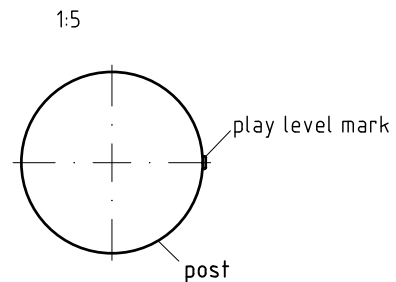
Item N°	height	post inscription	depth of foundation
0-57014-001	0,42	014	0,40
0-57016-001	0,62	016/050	0,40
0-57018-001	0,82	018/140	0,40
0-57020-001	1,02	020	0,40
0-57022-001	1,22	022	0,60
0-57024-001	1,42	024/044	0,60



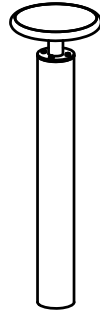
\*keep constant distance between several leap frog posts



detail of play level mark



# Mounting instructions for installation as permanently installed outdoor **fitness equipment** according to **EN 16630**

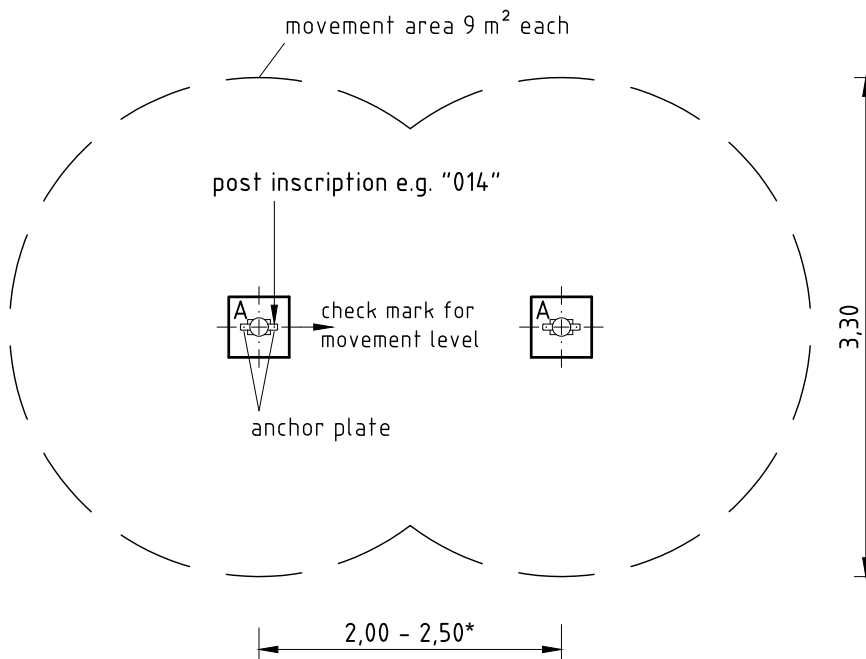
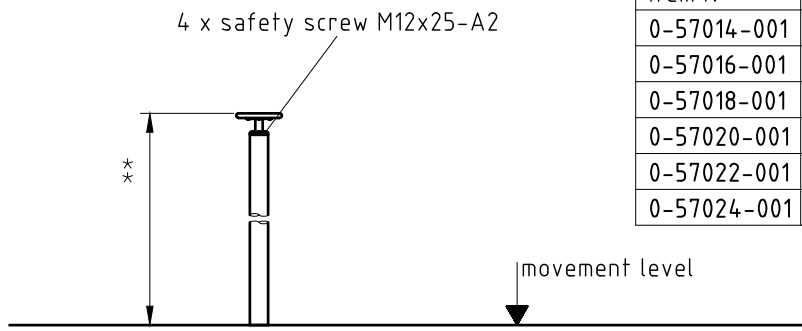


1. Assign a location for the equipment considering the space requirement (movement area).
2. Excavate soil for foundations, according to drawing.  
Please note: To achieve maximum stability and a safe installation, a moderate level of soil solubility is required.
3. Pour in a drain layer of gravel of approx. 10 cm thickness between the bottom of the steel post and plain base of foundation.
4. Put posts according to the post number into the respective hole of foundation. Movement level mark conforms to the mounting depth.  
Align posts by means of the movement level mark, according to detail drawing respectively installation plan.
- 5. Attention: For installation of the pre-assembled components and/or single parts, the screws slightly have to be lubricated with installation paste!**
6. Grout foundations with compressed concrete C20/25, chamfer and round off the edges. The soil characteristics of the area surrounding the equipment must have an appropriate level of shock absorption corresponding to the free height of fall (according to EN 16630).
7. Release for play after concrete foundations have set.
8. Check all screw connections according to maintenance instructions after 4-5 weeks and retighten, if necessary.
9. Please take care that all special tools (e.g. special Allen key for secured Allen screws etc.) and all specific documents which are or may be useful for a safety management (e.g. invoice, delivery note, order acknowledgement, installation instructions, maintenance instructions) are forwarded to the responsible persons.

# Mounting instructions for installation as permanently installed outdoor **fitness equipment** according to **EN 16630**

\*\*max. free height of fall

Item N°	height	post inscription	depth of foundation
0-57014-001	0,42	014	0,40
0-57016-001	0,62	016/050	0,40
0-57018-001	0,82	018/140	0,40
0-57020-001	1,02	020	0,40
0-57022-001	1,22	022	0,60
0-57024-001	1,42	024/044	0,60



\*keep constant distance between several leap frog posts

