

1. Assign a device location considering the space requirements (impact area).
2. Excavate soil for foundations, according to drawing.  
Please note: To achieve maximum stability and a safe installation, a moderate level of soil solubility is required.
3. Pour in a drain layer of gravel of approx. 10 cm thickness between the bottom of the posts and plain base of foundation.
4. Insert reinforcing steel into the corresponding holes of the posts.
5. Place posts type A according to the corresponding number (see foundation layout) into the respective foundation hole. Play level mark (=aluminium blind rivet) complies with the installation depth. Align every post by means of the play level mark facing into the same direction (see detail or foundation layout).

**6. For installation of the pre-assembled components and/or single parts, the screws slightly have to be lubricated with installation paste!**

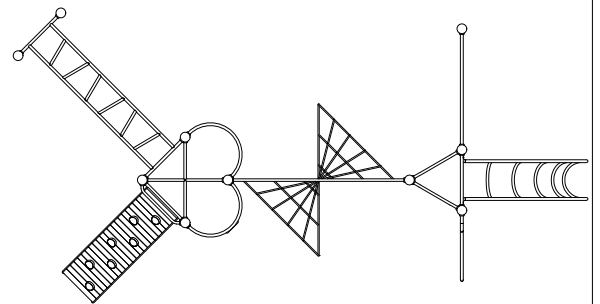
**Tighten all screws after having aligned all components.**

Screw connections see details in attached list.

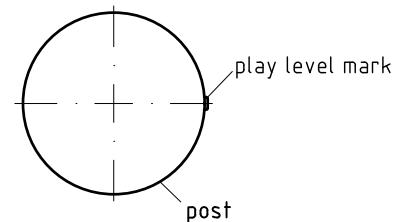
7. Grout foundations with compressed concrete C20/25, chamfer and round off the edges, cover the foundations with a surface which meets the requirements for impact attenuation so that the critical fall height of the surfacing is equal to, or greater than, the free height of fall of the equipment (acc. to EN 1176-1).
8. Release for play after concrete foundations have set.
9. According to maintenance instructions, check all screw connections after 4-5 weeks and retighten, if necessary.

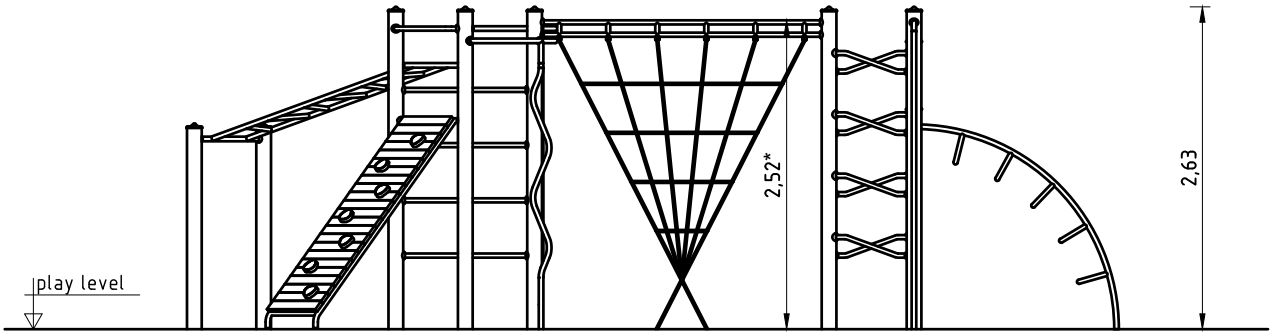
Please ensure that all special tools supplied (e.g. Allen key for secured Allen screws etc.) and all specific documents which are or may be useful for safety management acc. to EN 1176-7 (e.g. invoice, delivery note, order acknowledgement, installation instructions, maintenance instructions) are forwarded to the persons responsible.

**Necessarily insert all attachment parts before tightening the screws. It is NOT possible to insert them afterwards.**



detail of play level mark  
1:5

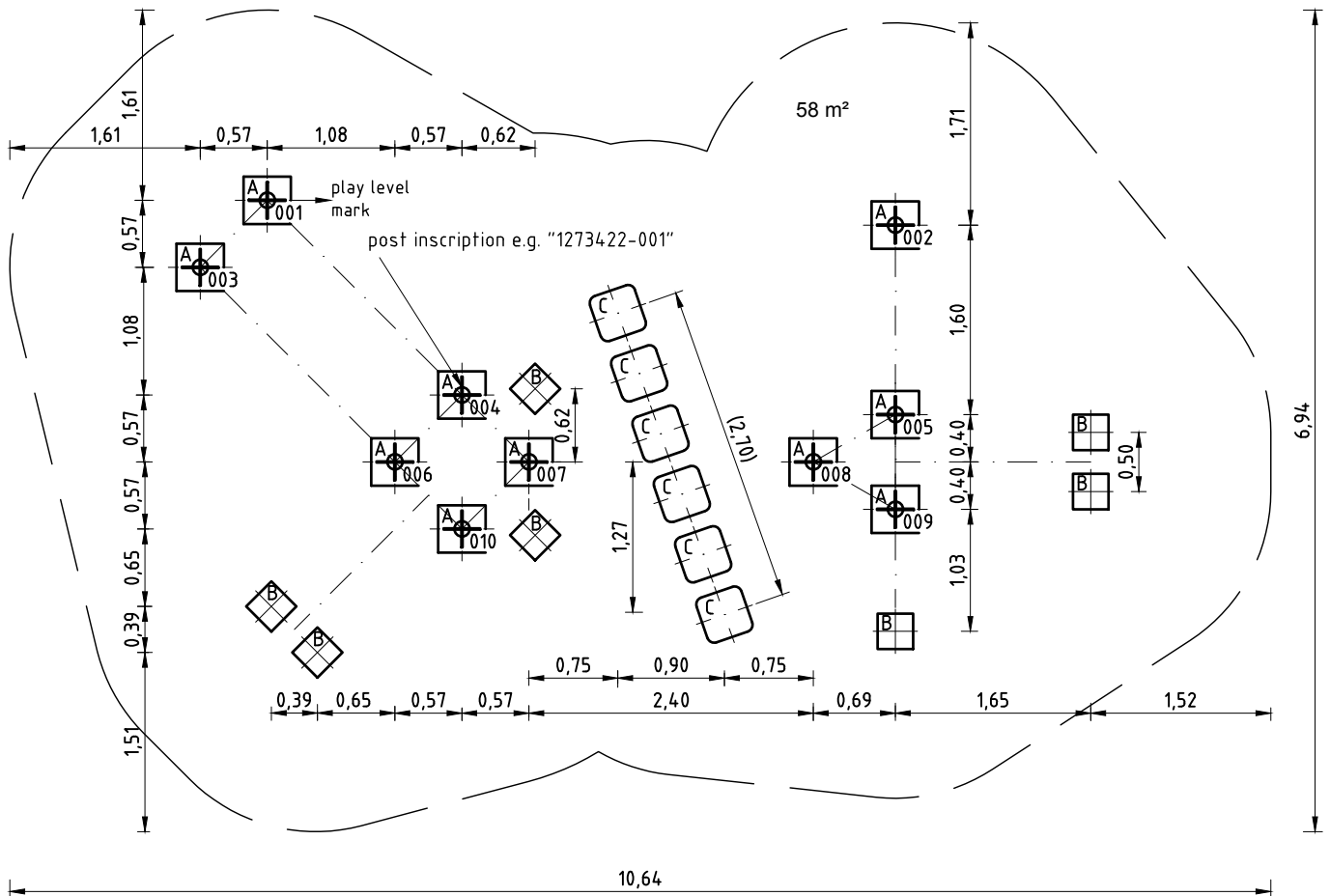




Space occupied by equipment  
7,60 x 3,90 x 2,63 m

\*max. free height of fall

Minimum space  
10,64 x 6,94 x 2,63 m

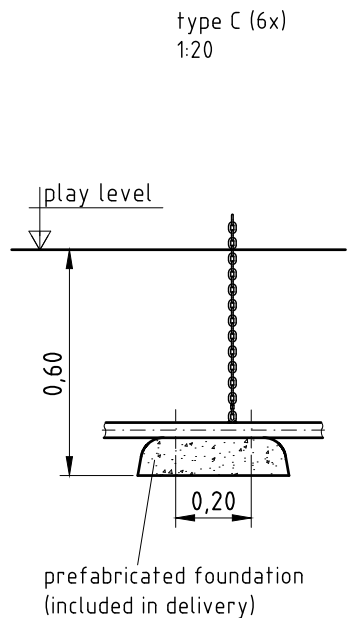
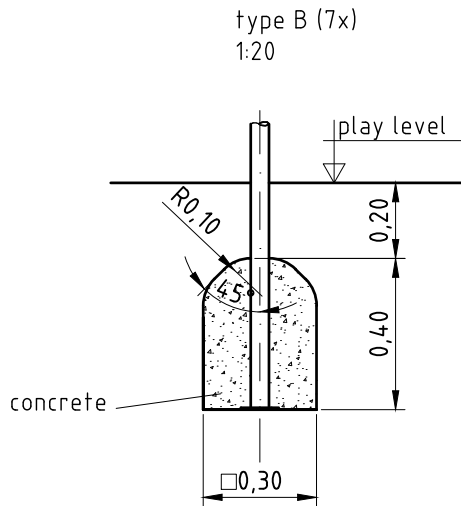
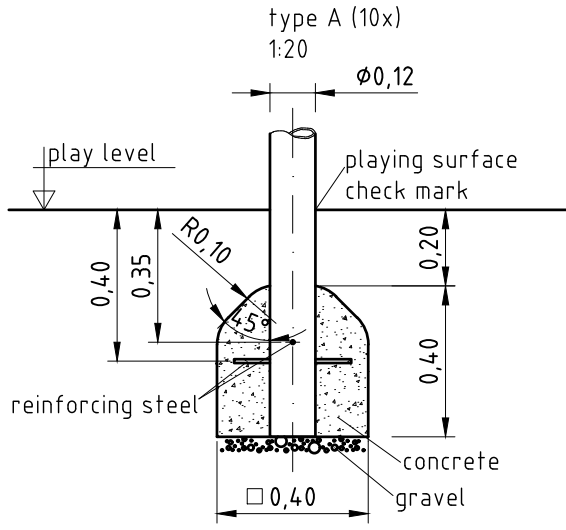








**Please note:**







Due to the format size, this installation is not to scale (apart from single details).



Please refer to the dimensions indicated .

An installation documentation scale 1:50 can be submitted on request.



<u>Parts list</u>		055480503	GB
item no.	quantity	description	image
1273422	1	set of 10 pcs. of stainless steel posts with stainless steel post cap with blue powder-coating RAL5015	
1230088	1	arch-shaped ladder 0,80 platform height 1,40 m	
1210360	1	stainless steel horizontal bar 1,60 m	
1210359	1	horizontal bar/ladder rung 0,80 m	
1210361	8	stepped handrail 0,80 m x 0,15 m	
1230406	1	inclined climbing pole 2,50 m / 15°	

<u>Parts list</u>		055480503	GB
item no.	quantity	description	image
1230090	1	Black spatial climbing net 2,40m, height 2,50m	
1230110	1	climbing pole 2,45 m / horizontal arch	
1230092	1	corrugated climbing pole 2,35 m / horizontal arch	
6220006	4	climbing cross 0,80 x 0,80 m	
1210032	1	cranked ladder rung 0,80 m	
1230282	1	sloping monkey bars 0,80m x 2,40m	

<u>Parts list</u>		055480503	GB
item no.	quantity	description	image
1230093	1	climp up ramp 0,80 m platform height 1,60 m	
1296712	1	fastening kit	

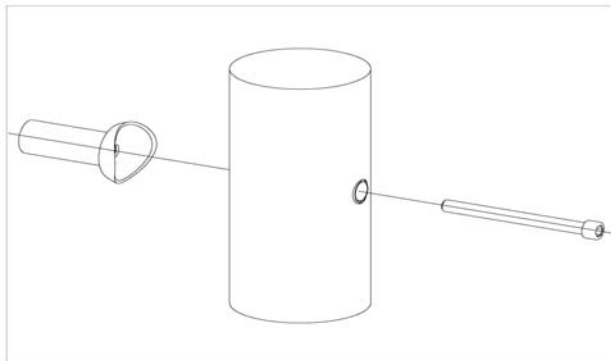
Item: **055480503**  
 K&K Climbing combination  
 Location:

Order:

1296712

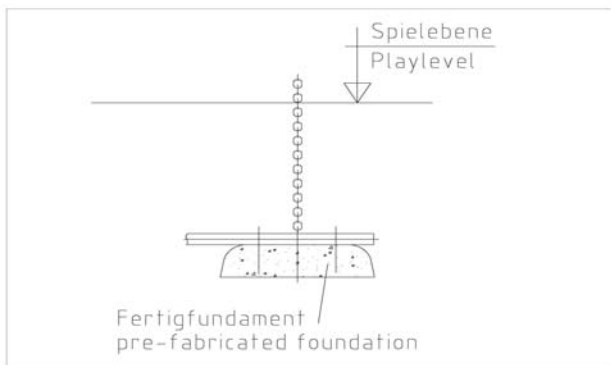
Building Project:

**55 x SFES1210001 Standard bolting of attachment parts (except platforms) to stainless steel posts**



per SC	Total	K&K-Item	Marking
1 x	55 x	2030168	Cheese head screw with pin M12x140

**6 x SFAS1230007 Connection pipe between chain ladder/space net/ climbing net and prefabricated foundation (item N° 15150)**



per SC	Total	K&K-Item	Marking
2 x	12 x	3430025	Washer Ø 13 DIN125 A2
2 x	12 x	3400498	Hexagon head cap screw M12 x 55 DIN931 A2

**10 x SFES1270001 Reinforcing steel for stainless steel posts**



per SC	Total	K&K-Item	Marking
2 x	20 x	2130000	Reinforcing steel Ø 10 x 310 DIN 488

**1 x SFWZ0000009 Hexagon insert socket driver 10mm 1/2" with borehole for Pin**



per SC	Total	K&K-Item	Marking
1 x	1 x	2030170	Hexagon insert socket driver 10 mm 1/2" with drill hole for Pin



Item: **055480503**  
K&K Climbing combination

Order:

1296712

Location:

Building Project:

**1 x SFWZ0000012 Lubricating metal (30g box) incl. brush**



per SC	Total	K&K-Item	Marking
1 x	1 x	5300039	Lubricating metal box 30g
1 x	1 x	5200026	Brush for lubricating metal