

1. Assign location of equipment considering the space requirements (impact area).
2. Excavate soil for foundations, acc. to drawing.
Please note: To achieve maximum stability and a safe installation, a moderate level of soil solubility is indispensable.
3. Pour in a drain layer of gravel of approx. 10 cm thickness between the bottom of the tubular pedestals and plain base of foundation.
4. Insert reinforcing steel into the corresponding holes of the tubular pedestals.
5. Place posts type A (see foundation layout) according to the corresponding number into the respective foundation hole. Play level mark (=aluminium blind rivet) complies with the installation depth. Align every post by means of the play level mark facing into the same direction (see detail or foundation layout).

6. Attention! For installation of the pre-assembled components and/or single parts; the screws slightly have to be lubricated with installation paste!

Tighten all screws after having aligned all components.

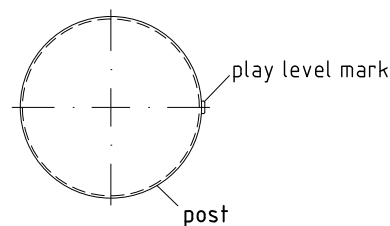
Screw connections see details in attached list.

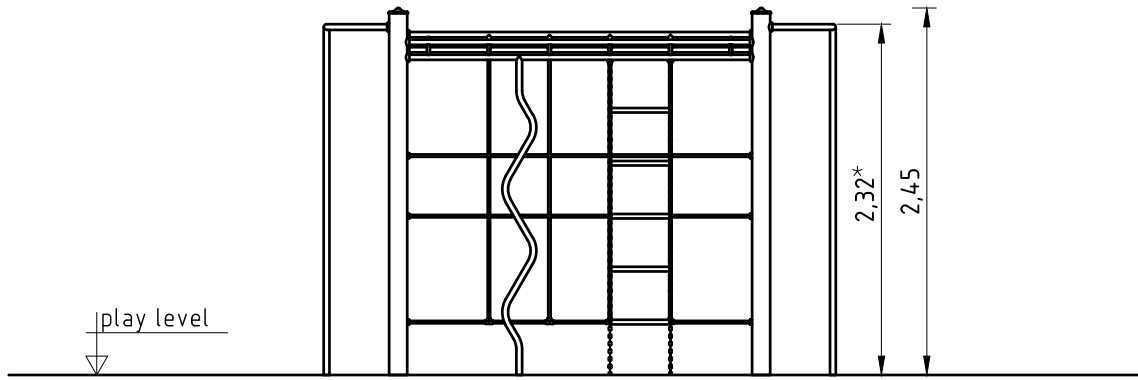
7. Grout foundations with compressed concrete C20/25, chamfer and round off the edges, cover the foundations with a surface which meets the requirements for impact attenuation so that the critical fall height of the surfacing is equal to, or greater than, the free height of fall of the equipment (acc. to EN 1176-1).
8. Release for play after concrete foundations have set.
9. Check all screw connections acc. to maintenance instructions after 4-5 weeks and retighten, if necessary. Then cover the screw heads with protecting caps.

Please take care that all special tools (e.g. special Allen key for secured Allen screws etc.) and all specific documents which are or may be useful for safety management acc. to EN 1176-7 (e.g. invoice, delivery note, order acknowledgement, installation instructions, maintenance instructions) are forwarded to the persons responsible.

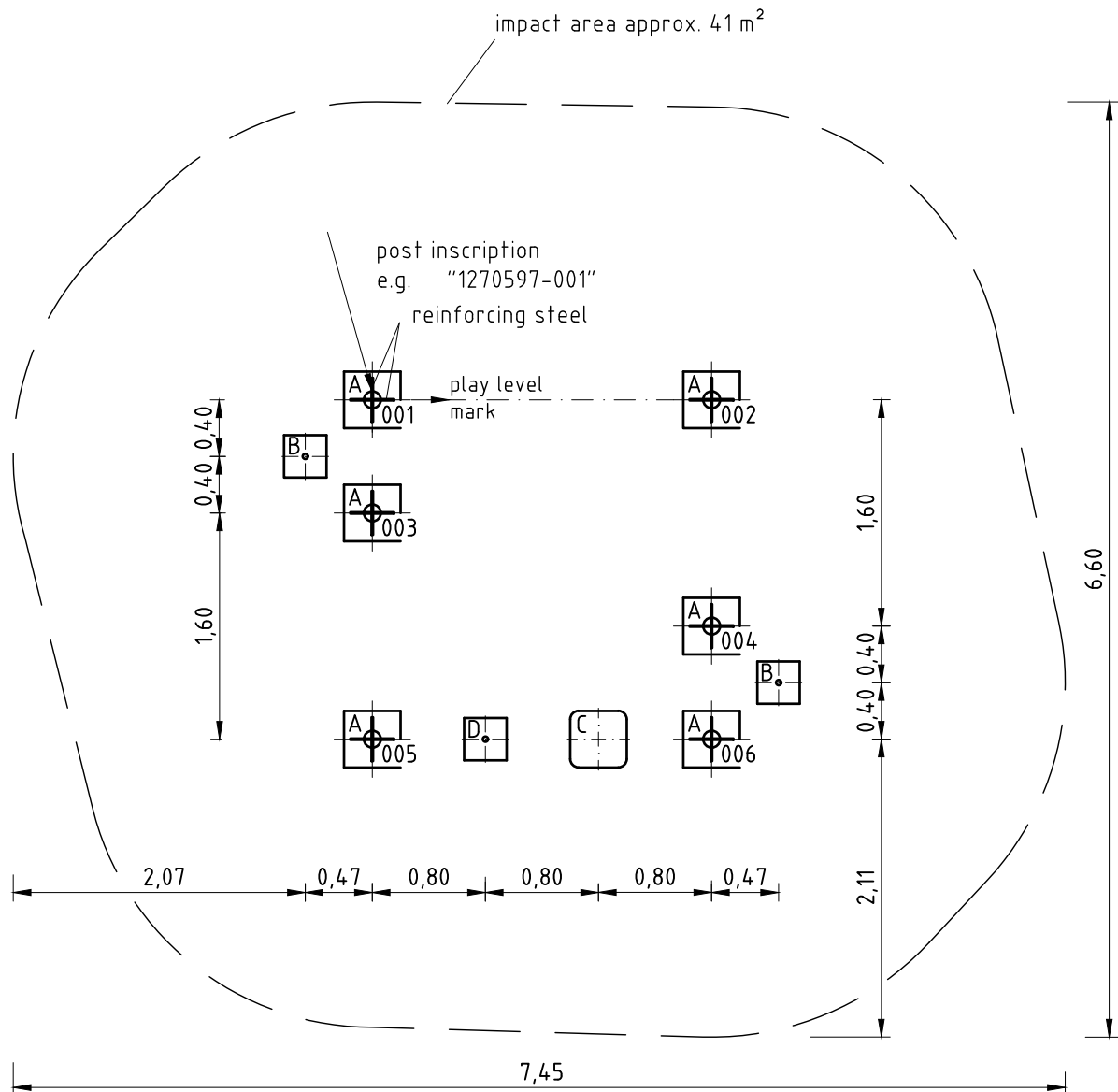
**Please insert all additional units before tightening the screws.
It is NOT possible to insert them afterwards!**

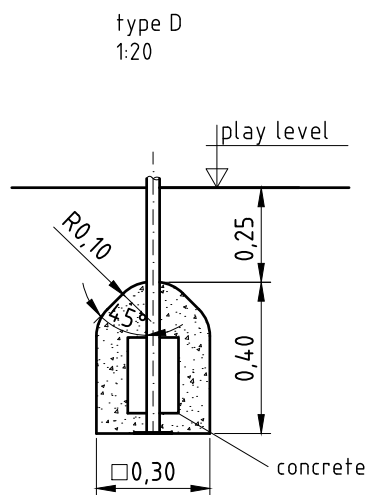
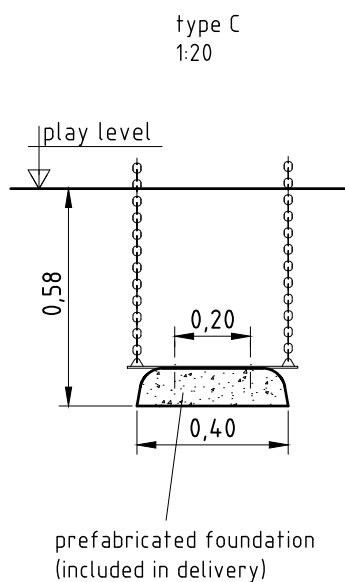
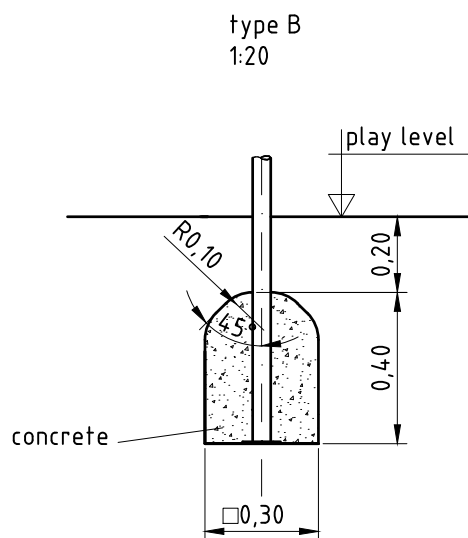
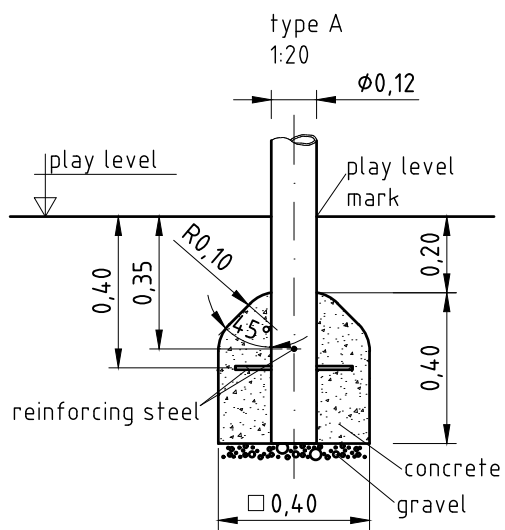
detail of play level mark
1:5





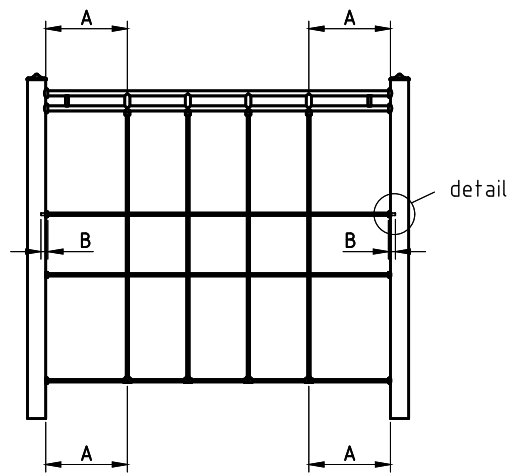
*max. free height of fall



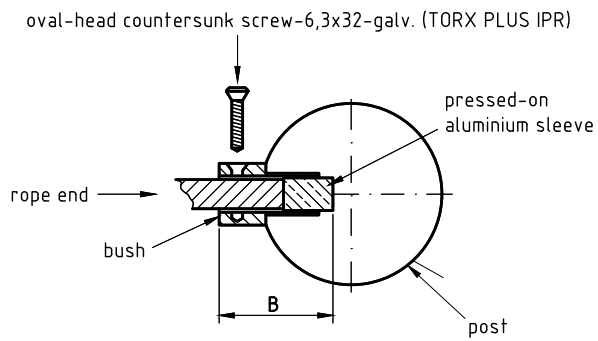


Installation of climbing net
1:50

Insert horizontal rope ends into the bushes until the metal sleeve pressed-on the end is located behind the lateral drill. Center the net with average distances A and B.



topview detail
1:5



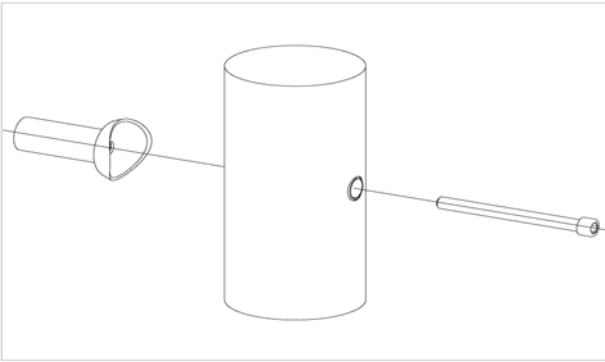
Item: **055441501**
 K&K Climbing combination
 Location:

Order:

1292485

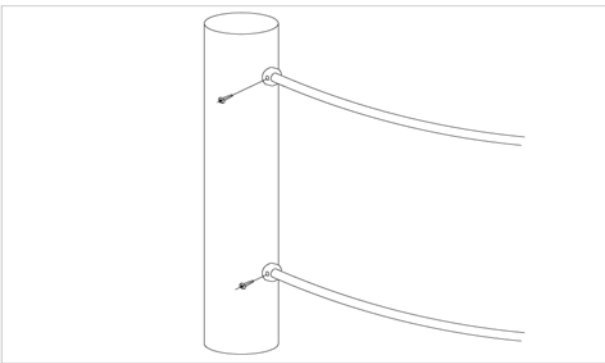
Building Project:

28 x SFES1210001 Standard bolting of attachment parts (except platforms) to stainless steel posts



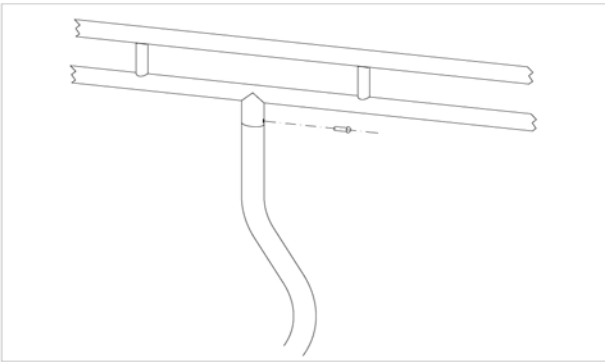
per SC	Total	K&K-Item	Marking
1 x	28 x	2030168	Cheese head screw with pin M12x140

6 x SFAS1230005 Climbing net/rope fastening to post



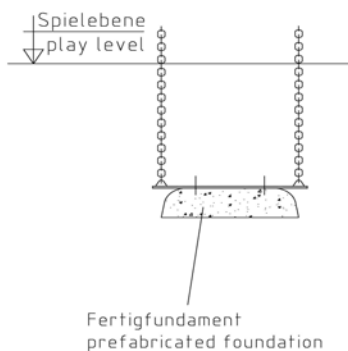
per SC	Total	K&K-Item	Marking
1 x	6 x	3400515	Oval head countersunk screw Torx Ø 6,3 x 32 galv.

2 x SFAS1230014 Climbing pole S-Z at twinrail



per SC	Total	K&K-Item	Marking
1 x	2 x	3400475	Oval head security bolt M8 x 12 Resistorx A2

1 x SFAS1230012 Flat steel of chain ladder on foundation



per SC	Total	K&K-Item	Marking
2 x	2 x	3430025	Washer Ø 13 DIN125 A2
2 x	2 x	3400018	Hexagon screw M12 x 25 DIN933 A2

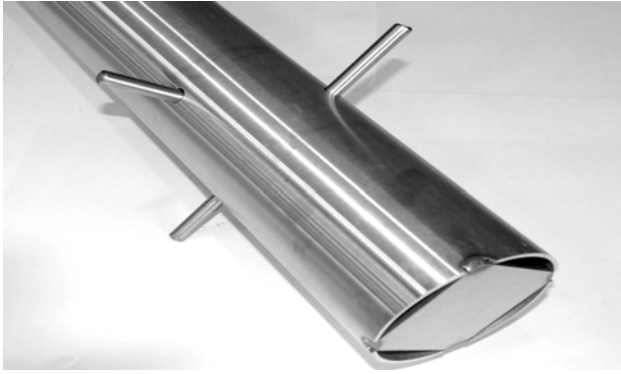
Item: **055441501**
 K&K Climbing combination
 Location:

Order:

1292485

Building Project:

6 x SFES1270001 Reinforcing steel for stainless steel posts



per SC	Total	K&K-Item	Marking
2 x	12 x	2130000	Reinforcing steel Ø 10 x 310 DIN 488

1 x SFWZ0000001 Security TORX wrench TR40



per SC	Total	K&K-Item	Marking
1 x	1 x	3490081	Security TORX wrench TR40

1 x SFWZ0000009 Hexagon insert socket driver 10mm 1/2" with borehole for Pin



per SC	Total	K&K-Item	Marking
1 x	1 x	2030170	Hexagon insert socket driver 10 mm 1/2" with drill hole for Pin

1 x SFWZ0000010 Security bit TORX PLUS IPR 30 x 25



per SC	Total	K&K-Item	Marking
1 x	1 x	3490038	Security bit TORX PLUS IPR 30 x 25

Item: **055441501**

Order:

1292485

K&K Climbing combination

Location:

Building Project:

1 x SFWZ0000013 Lubricating metal, twin bag (2 x 4 g)



per SC	Total	K&K-Item	Marking
2 x	2 x	5300024	Metaflux fitting lubricant 2x4 g