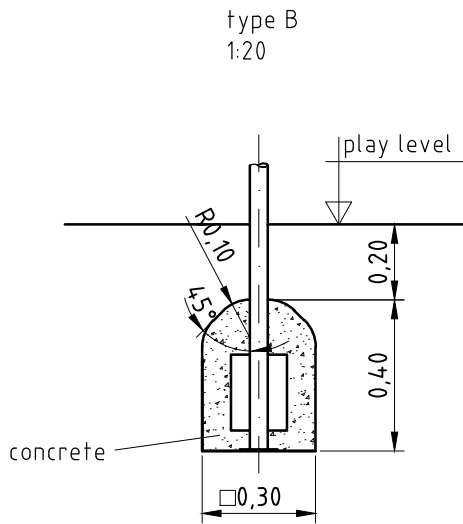
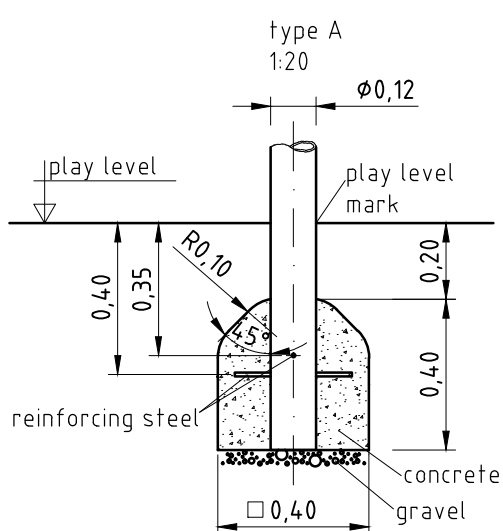
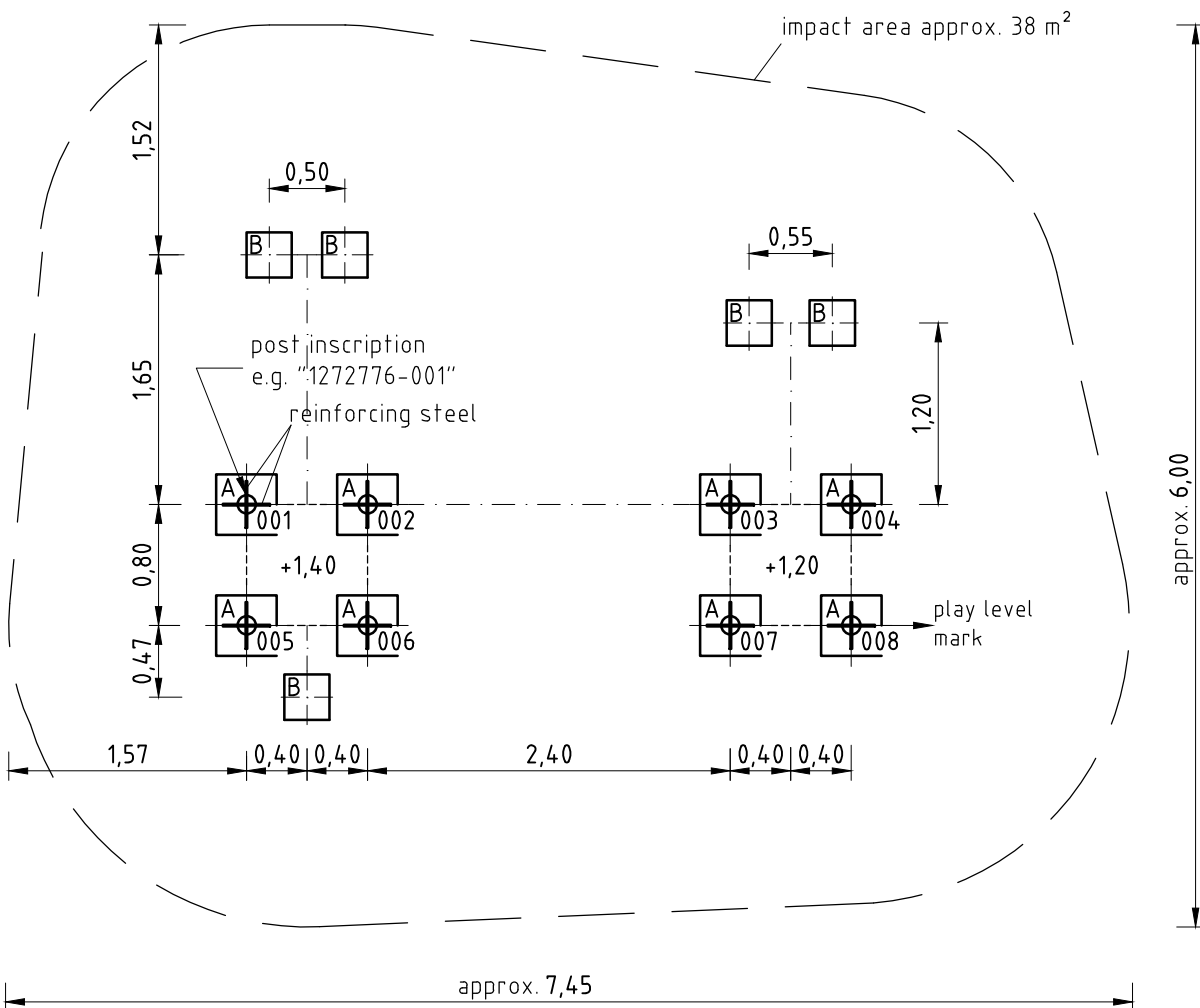
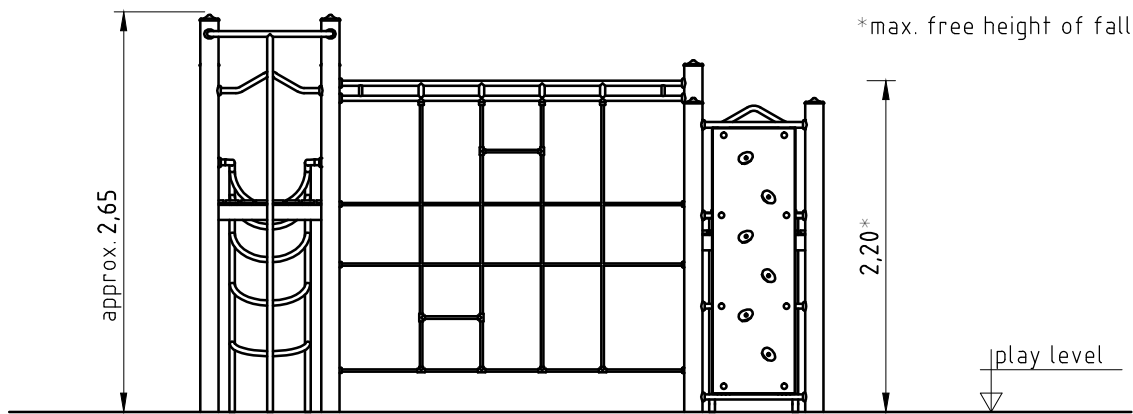


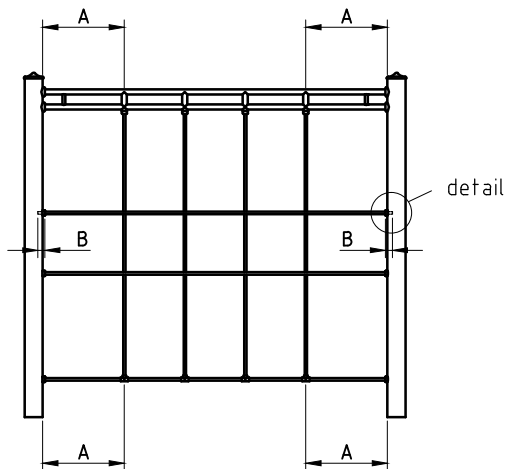
1. Assign a device location considering the space requirements (impact area).
2. Excavate soil for foundations, according to drawing.
Please note: To achieve maximum stability and a safe installation, a moderate level of soil solubility is required.
3. Pour in a drain layer of gravel of approx. 10 cm thickness between the bottom of the posts and plain base of foundation.
4. Insert reinforcing steel into the corresponding holes of the posts.
5. Place posts type A according to the corresponding number (see foundation layout) into the respective foundation hole. Play level mark (=aluminium blind rivet) complies with the installation depth. Align every post by means of the play level mark facing into the same direction (see detail or foundation layout).
- 6. For installation of the pre-assembled components and/or single parts, the screws slightly have to be lubricated with installation paste!**
Screw together platforms and posts by using the middle hole in the mounting brackets.
Tighten all screws after having aligned all components.
Screw connections see details in attached list.
7. Grout foundations with compressed concrete C20/25, chamfer and round off the edges, cover the foundations with a surface which meets the requirements for impact attenuation so that its critical fall height is equal to or greater than the maximum free height of fall of the equipment (acc. to EN 1176-1).
8. Release for play after concrete foundations have set.
9. According to maintenance instructions, check all screw connections after 4-5 weeks and retighten, if necessary. Afterwards cover the screw heads with protection caps as follows: Insert grey protection caps into the countersunk drills (e.g. for platforms).
Please ensure that all special tools supplied (e.g. Allen key for secured Allen screws etc.) and all specific documents which are or may be useful for safety management acc. to EN 1176-7 (e.g. invoice, delivery note, order acknowledgement, installation instructions, maintenance instructions) are forwarded to the persons responsible.

Necessarily insert all attachment parts before tightening the screws. It is NOT possible to insert them afterwards.



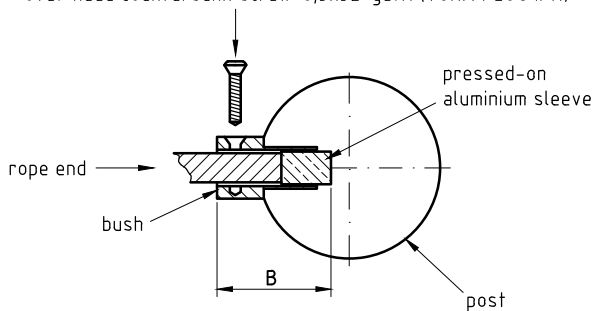
Installation of climbing net
1:50

Insert horizontal rope ends into the bushes until the metal sleeve pressed-on the end is located behind the lateral drill. Center the net with average distances A and B.

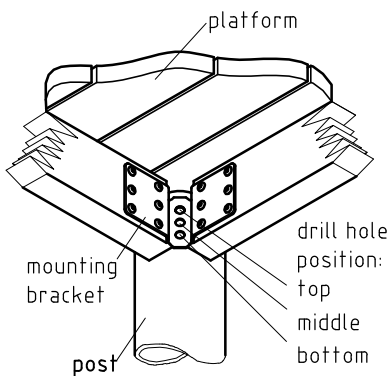


topview detail
1:5

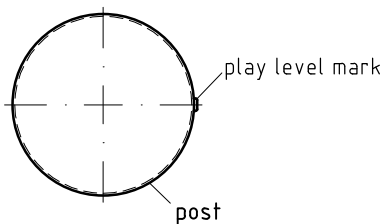
oval-head countersunk screw-6,3x32-galv. (TORX PLUS IPR)



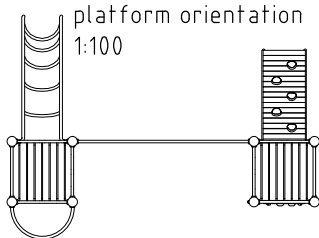
platform fastening
1:10



detail of play level mark
1:5



platform orientation
1:100



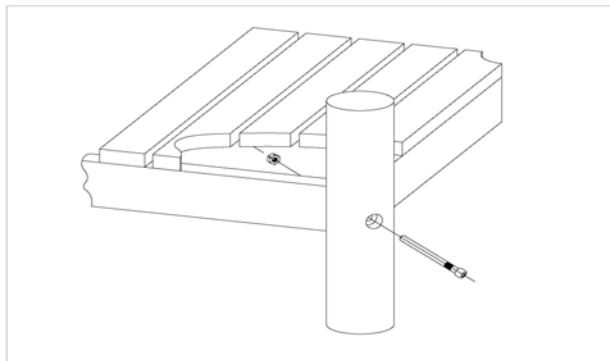
Item: **055420500**
K&K Climbing combination

Order:

1292490

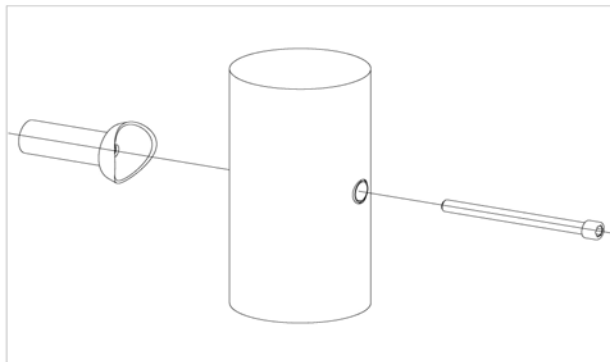
Location: Building Project:

8 x SFES1200001 Fixing of platform at stainless steel post nut on platform site



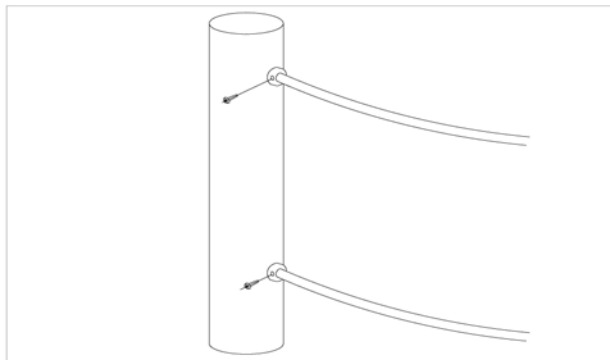
per SC	Total	K&K-Item	Marking
1 x	8 x	3430021	Lock nut M12 DIN985 A2
1 x	8 x	2030651	Cheese head screw M12 x 125 with pin and blue colour mark

36 x SFES1210001 Standard bolting of add-on pieces for fastening of ES120 add-on pieces at steel posts (except platforms)



per SC	Total	K&K-Item	Marking
1 x	36 x	2030168	Cheese head screw M12x140 with pin for fastening of ES120-add-on pieces at steel posts (except platforms)

6 x SFAS1230005 Climbing net/rope fastening to post



per SC	Total	K&K-Item	Marking
1 x	6 x	3400515	Oval head countersunk screw Torx Ø 6,3 x 32 galv.

8 x SFES1270001 Reinforcing steel for stainless steel posts



per SC	Total	K&K-Item	Marking
2 x	16 x	2130000	Reinforcing steel Ø 10 x 310 DIN 488

Item: **055420500**
K&K Climbing combination

Order:

1292490

Location:

Building Project:

1 x SFWZ000009 Hexagon insert socket driver 10mm 1/2"
with borehole for Pin



per SC	Total	K&K-Item	Marking
1 x	1 x	2030170	Hexagon insert socket driver 10 mm 1/2" with drill hole for Pin

1 x SFWZ000010 Security bit TORX PLUS IPR 30 x 25



per SC	Total	K&K-Item	Marking
1 x	1 x	3490038	Security bit TORX PLUS IPR 30 x 25

1 x SFWZ000012 Lubricating metal (30g box) incl. brush



per SC	Total	K&K-Item	Marking
1 x	1 x	5300039	Lubricating metal box à 30g
1 x	1 x	5200026	Brush for lubricating metal