

1. Assign a location for the equipment considering the space requirements.
2. Excavate soil for foundations, according to drawing.
Please note: To achieve maximum stability and safe installation, a moderate level of soil solubility is required.
3. Pour in a drain layer of gravel of approx. 10 cm thickness between the bottom of the tubular pedestals and plain base of foundation.
4. Insert reinforcing steel into the corresponding holes of the tubular pedestals.
5. Place posts according to the corresponding number into the respective foundation hole. Play level mark (= aluminium blind rivet) complies with the installation depth. Align every post by means of the play level mark facing into the same direction (see detail or foundation layout).

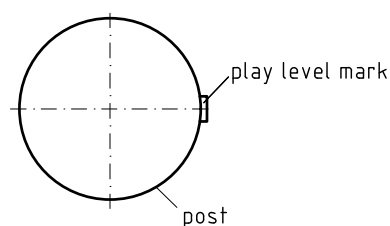
**6. For installation of the pre-assembled components and/or single parts, the screws slightly have to be lubricated with installation paste!
Tighten all screws after having aligned all components.**

Screw connections see details in attached list.

7. Grout foundations with compressed concrete C20/25, chamfer and round off the edges, cover with a surface which meets the requirements for impact attenuation so that the critical fall height of the surfacing is equal to, or greater than, the free height of fall of the equipment (acc. to EN 1176-1).
8. Release for play after concrete foundations have set.
9. Check all screw connections acc. to maintenance instructions after 4-5 weeks and retighten, if necessary. Afterwards cover the screw heads with protection caps.

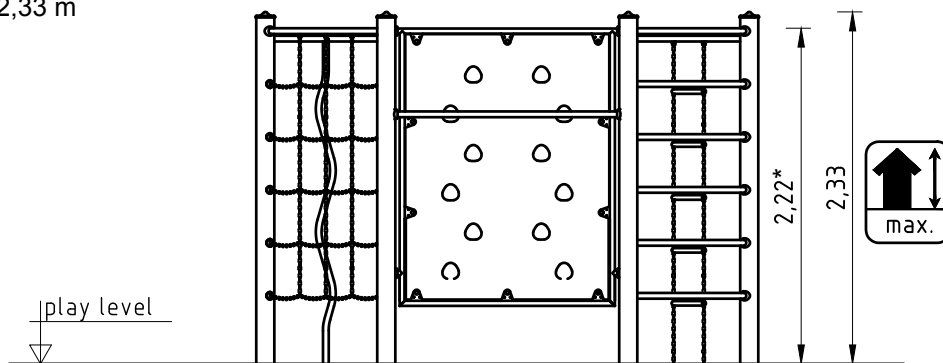
Please ensure that all special tools (e.g. special Allen key for secured Allen screws etc.) and all specific documents which are or may be useful for safety management acc. to EN 1176-7 (e.g. invoice, delivery note, order acknowledgement, installation instructions, maintenance instructions) are forwarded to the persons responsible.

play level mark
1:5



**Necessarily insert all additional units (climbing wall, rungs, horizontal bars) before tightening the screws.
It is not possible to insert them afterwards!**

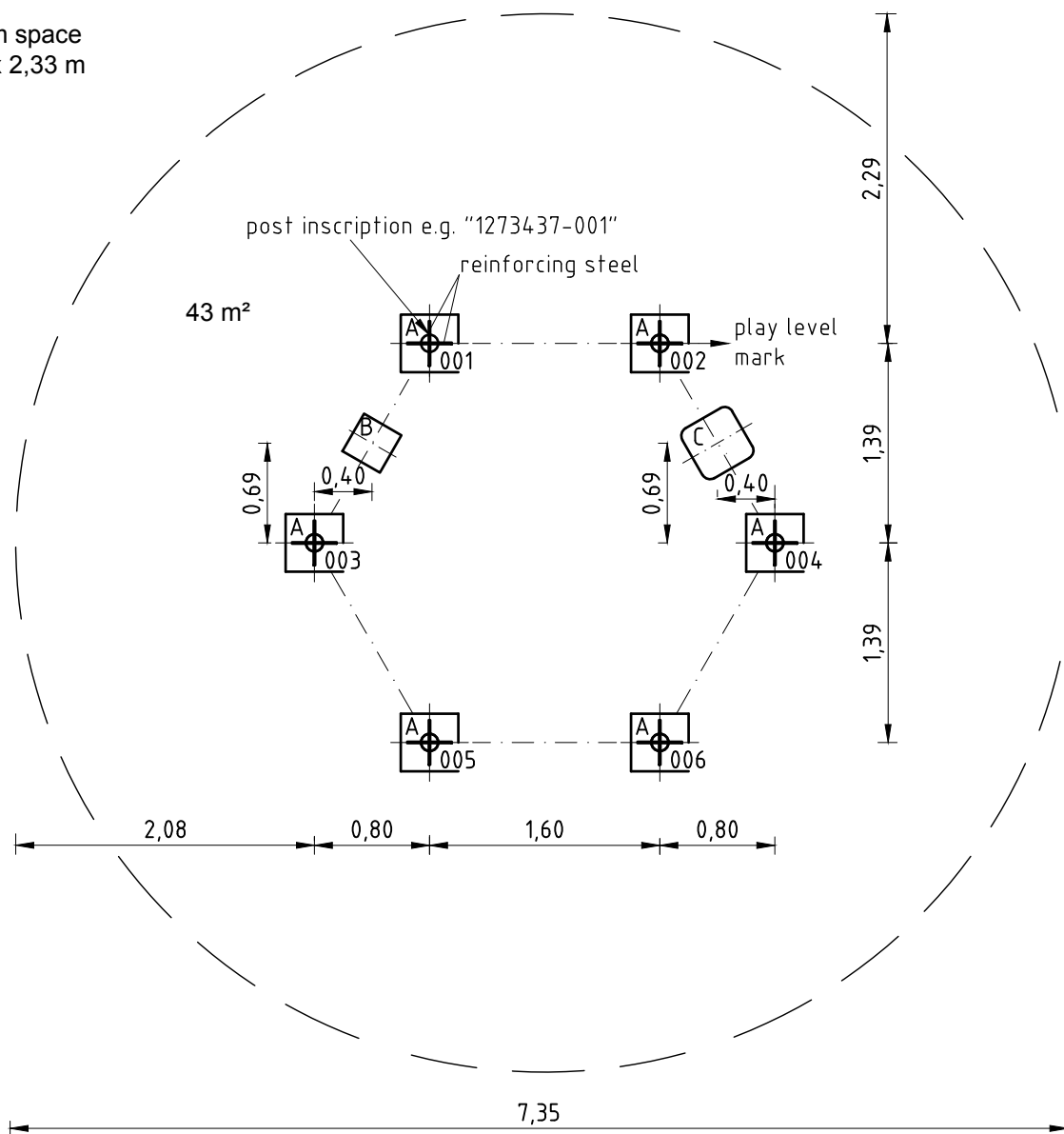
Space occupied by equipment
3,33 x 2,90 x 2,33 m

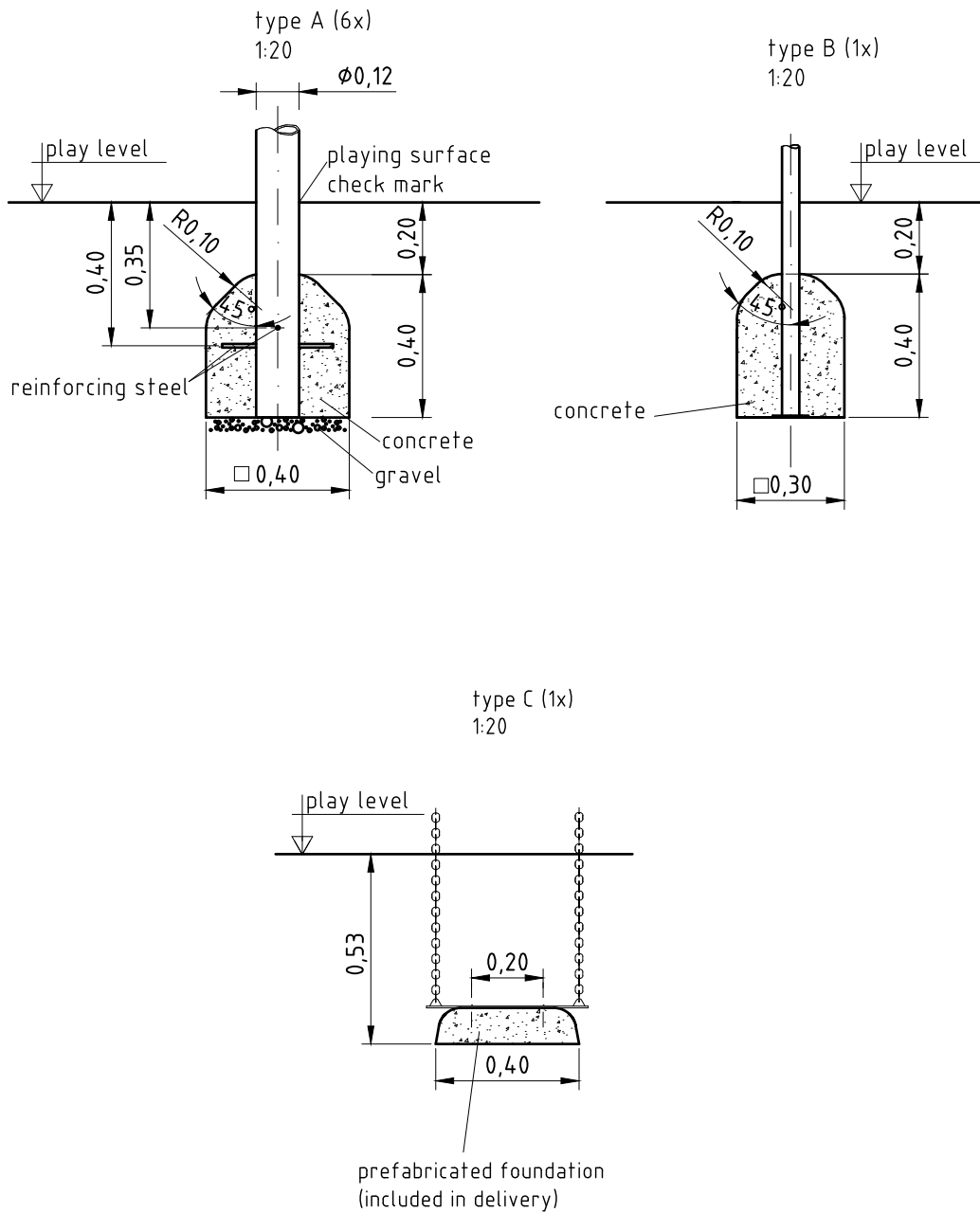


dimension mark - maximum free height of fall



Minimum space
Ø 7,35 x 2,33 m





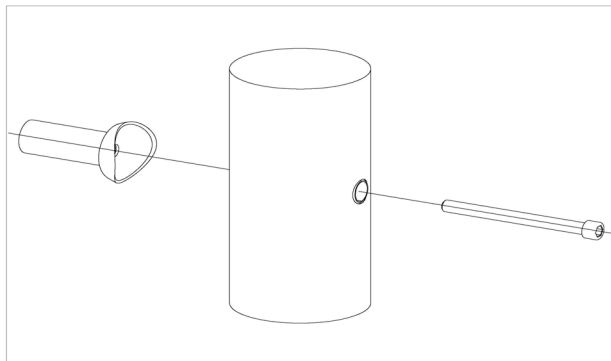
Item: **055365502**
K&K Hexagonal combination

Order:

1292481

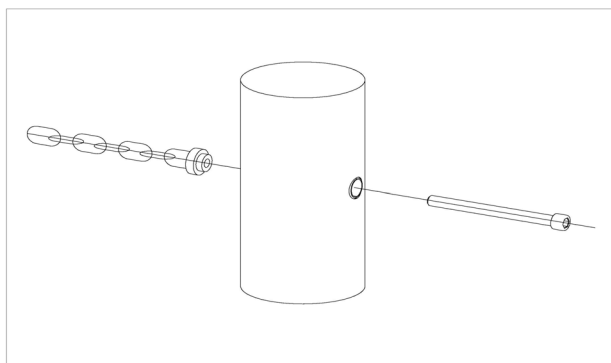
Location: Building Project:

24 x SFES1210001 Standard bolting of attachment parts (except platforms) to stainless steel posts



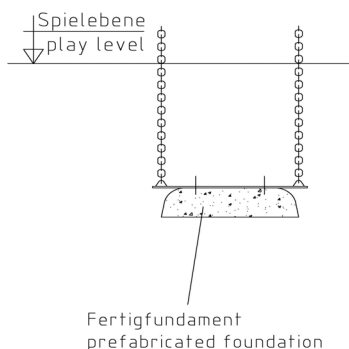
per SC	Total	K&K-Item	Marking
1 x	24 x	2030168	Cheese head screw with pin M12x140

10 x SFES1230001 End link of a chain at a stainless steel post (with internal thread)



per SC	Total	K&K-Item	Marking
1 x	10 x	2030246	Cheese head screw M12 x 110 with pin

1 x SFAS1230012 Flat steel of chain ladder on foundation



per SC	Total	K&K-Item	Marking
2 x	2 x	3430025	Washer Ø 13 DIN125 A2
2 x	2 x	3400018	Hexagon screw M12 x 25 DIN933 A2

6 x SFES1270001 Reinforcing steel for stainless steel posts



per SC	Total	K&K-Item	Marking
2 x	12 x	2130000	Reinforcing steel Ø 10 x 310 DIN 488

Item: **055365502**

Order:

1292481

K&K Hexagonal combination

Location:

Building Project:

1 x SFWZ000009 Hexagon insert socket driver 10mm 1/2" with borehole for Pin



per SC	Total	K&K-Item	Marking
1 x	1 x	2030170	Hexagon insert socket driver 10 mm 1/2" with drill hole for Pin

6 x SFWZ000013 Lubricating metal, twin bag (2 x 4 g)



per SC	Total	K&K-Item	Marking
2 x	12 x	5300024	Metaflux fitting lubricant 2x4 g