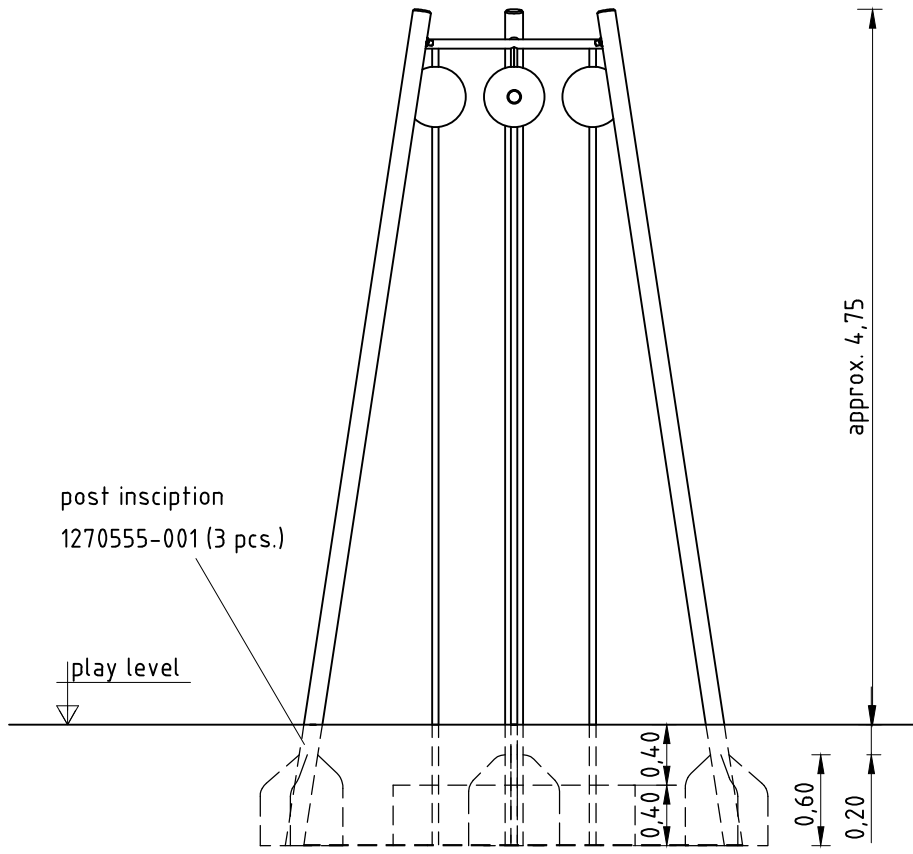
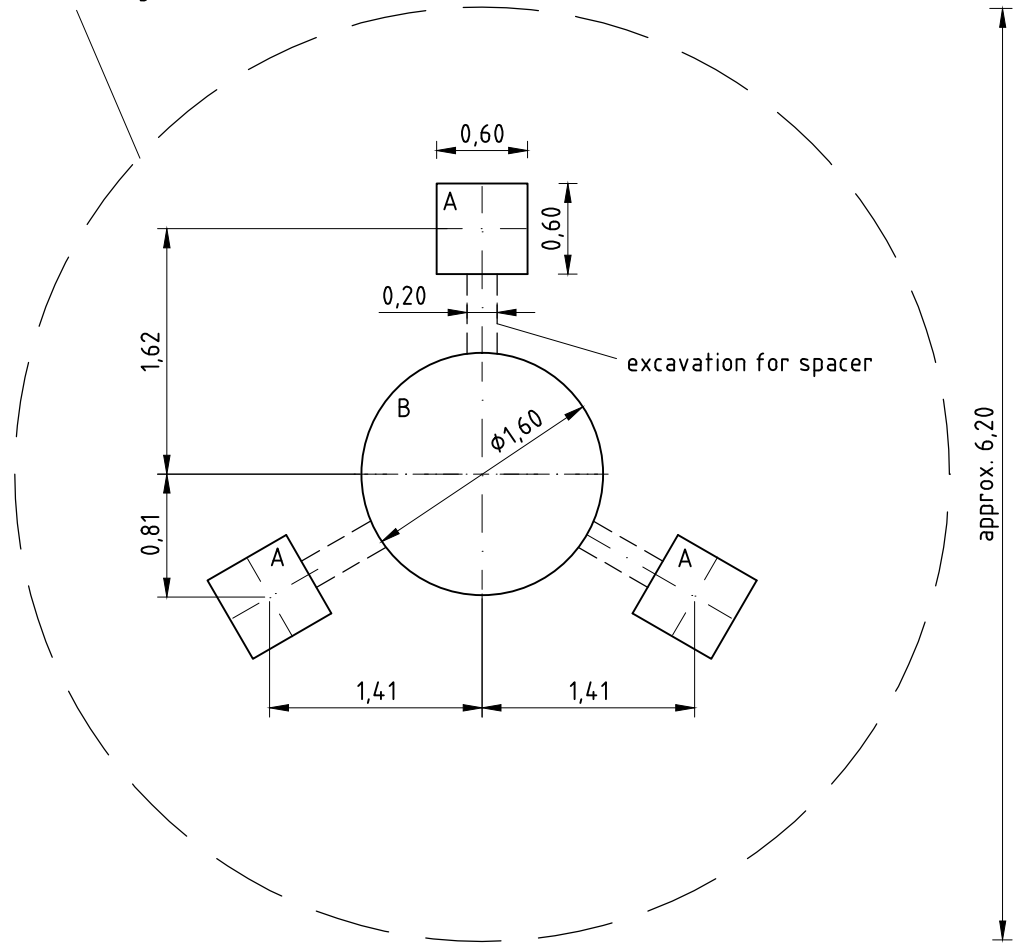


1. Assign location of equipment considering the space requirement/ impact area.
2. Excavate soil for foundations, according to drawing.
Please note: To achieve a maximum of stability and a safe installation a medium weight solubility of soil is required.
3. Build in layer of gravel, approx. 10 cm thick, as a drainage between bottom side of steel post and bottom of foundation.
4. **Attention! For installation of the pre-assembled components resp. single parts the screws have to be lubricated with installation paste! Tighten all screws after having aligned all components.**
5. At first screw the climbing pole with the inside thread to the screwed end under the globe. The through bore hole (under play level) is to tighten the climbing pole. Screw the flat bar (triangular) under the climbing poles. Screw the spacer onto the flat bar.
6. Put climbing pole into the holes of foundations.
7. Put post acc. to post number (1270555 001) into their respective holes of foundations. Screw the posts with the installed climbing poles and with the spacer. Play level mark (blind rivet), conforms to the mounting depth of post.
Screw connections see detail
8. Grout in foundations with compressed concrete C20/25, chamfer the edges and cover with soil material so that the critical height of the surfacing shall be equal or greater than the free height of fall of the equipment (acc. to EN 1176 - 1).
9. Release for play after concrete foundations have set.
10. Check all screw connections acc. to maintenance instructions after 4-5 weeks and screw down again if necessary

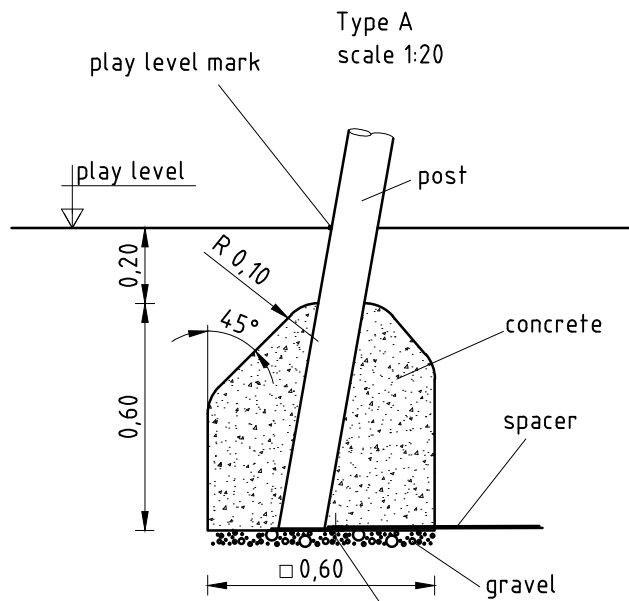
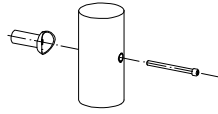
Please take care that all special tools (e.g. special Allen key for secured Allen screws etc.) and all specific documents which are or may be useful for safety management acc. to EN 1176-7 (e.g. invoice, delivery note, order acknowledgement, installation instructions, maintenance instructions) are forwarded to the responsible persons.



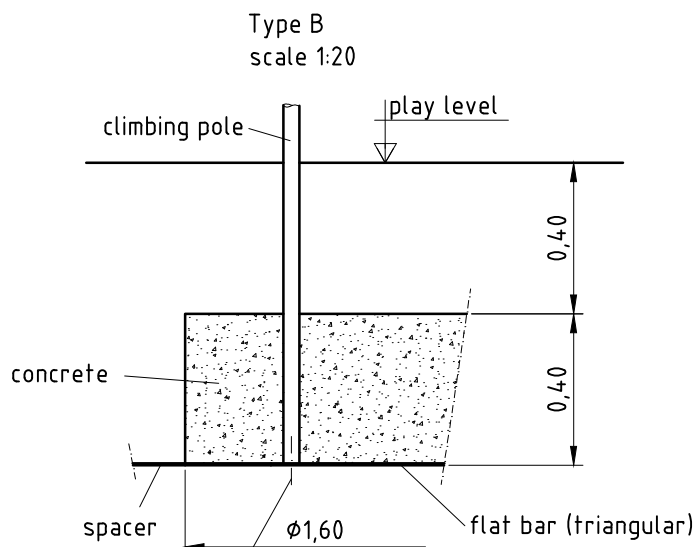
impact area (approx. 30 m²)
max. free height of fall = 2,95 m



3 x Screw connection
Bushing welded in stainless steel
post
Scale 1:20
 consisting of:
 cheese head screw DIN 912-M12x14.0
 with pin-A2;



9 x Screw connection
spacer
 hexagon srew DIN 933 M10x20-A2;
 hexagon nut DIN 934 M10-A2;



3 x Screw connection
Climbing pole - flat bar (triangular)
 countersunk screw DIN 7991 M12x50-A2;