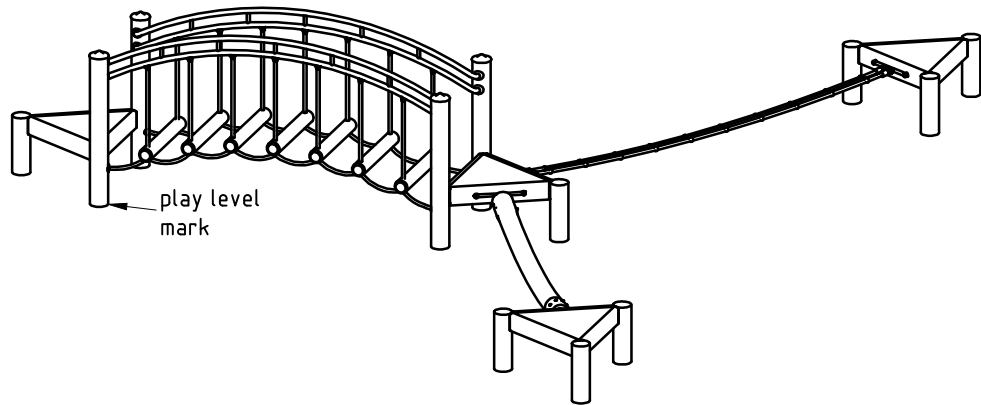


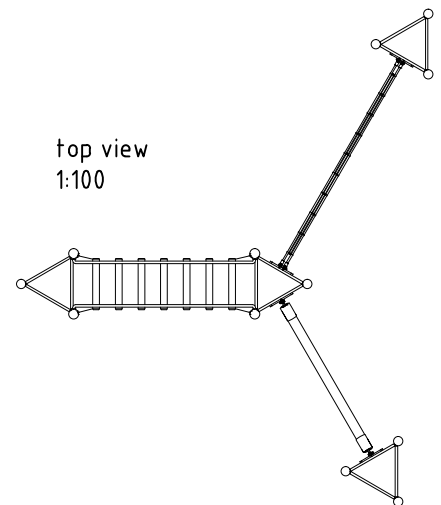
Attention: Mount tightropes after concrete setting process.



1. Assign location of equipment considering the space requirements (impact area).
2. Excavate soil for foundations, acc. to drawing.
Please note: To achieve maximum stability and a safe installation, a moderate level of soil solubility is required.
3. Pour in a drain layer of gravel of approx. 10 cm thickness between the bottom of the steel posts and plain base of foundation.
4. Insert reinforcing steel into the corresponding holes of the steel posts.
5. Place posts type A (see foundation layout) according to the corresponding number into the respective foundation hole. Play level mark (=aluminium blind rivet) complies with the installation depth. Align every post by means of the play level mark facing into the same direction (see detail or foundation layout).
6. **Attention! For installation of the pre-assembled components and/or single parts; the screws slightly have to be lubricated with installation paste!**
Screw together platforms and post by using the middle fastening hole in the platform angle.
Tighten all screws after having aligned all components.
Screw connections see details in attached list.
7. Grout foundations with compressed concrete C20/25, chamfer and round off the edges, cover the foundations with a surface which meets the requirements for impact attenuation so that the critical fall height of the surfacing is equal to, or greater than, the free height of fall of the equipment (acc. to EN 1176-1).
8. Release for play after concrete foundations have set.
9. Check all screw connections acc. to maintenance instructions after 4-5 weeks and retighten, if necessary.

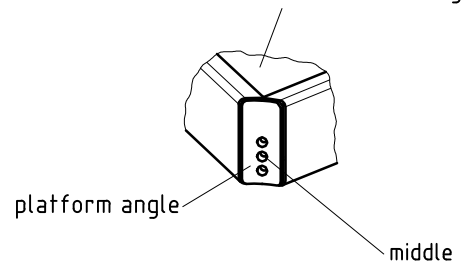
Please take care that all special tools (e.g. special Allen key for secured Allen screws etc.) and all specific documents which are or may be useful for safety management acc. to EN 1176-7 (e.g. invoice, delivery note, order acknowledgement, installation instructions, maintenance instructions) are forwarded to the persons responsible.

**Please insert all additional units (platforms, totter bow) before tightening the screws.
It is NOT possible to insert them afterwards!**

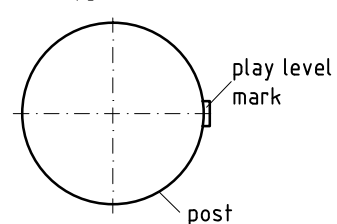


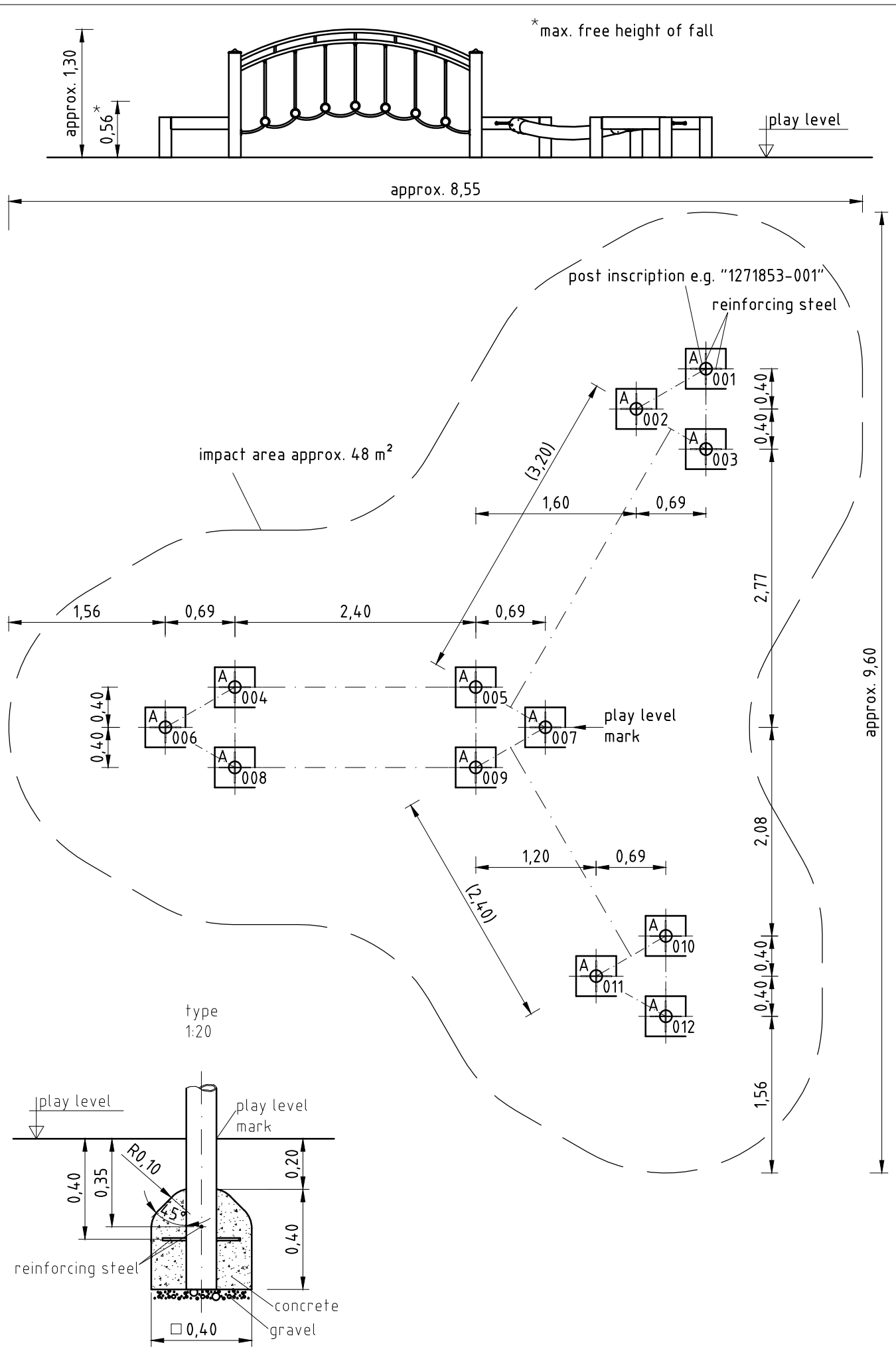
platform fastening
1:10

stainless steel platform
with EPDM-coating



play level mark
1:5





Installation

Article No.	Description	Scale	Date	Page
0-52160-500	K&K Rope combination	1:50	05/15 EB	2/2

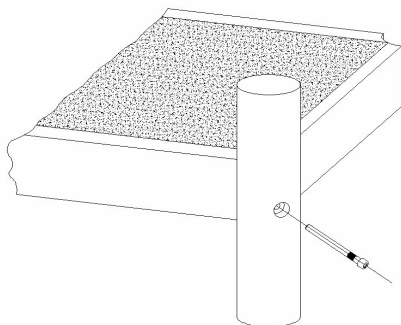
Item: **052160500**
 K&K Rope combination
 Location:

Order:

1297797

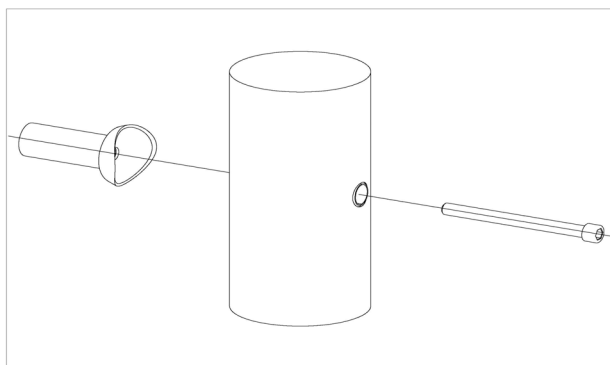
Building Project:

12 x SFES1200013 Stainless steel platform (EPDM-coating) at stainless steel post



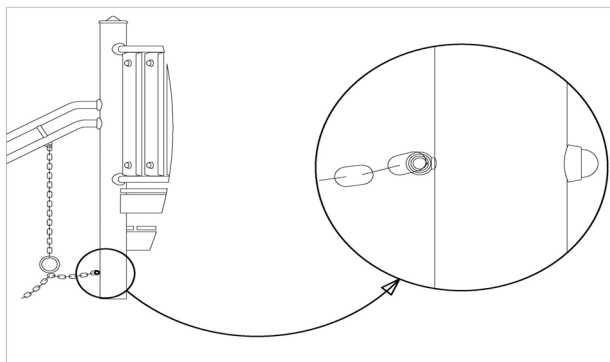
per SC	Total	K&K-Item	Marking
1 x	12 x	2030651	Cheese head screw with pin M12 x 125

8 x SFES1210001 Standard bolting of attachment parts (except platforms) to stainless steel posts



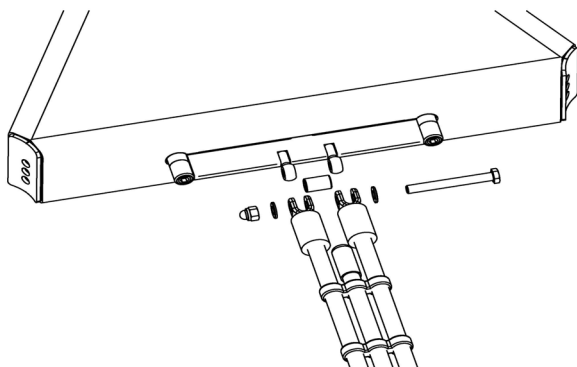
per SC	Total	K&K-Item	Marking
1 x	8 x	2030168	Cheese head screw with pin M12x140

4 x SFRS1200009 Timber-course connecting chain for totter bridge/ totter bow to posts



per SC	Total	K&K-Item	Marking
1 x	4 x	3300055	red protective screw cap - upper part, domed M12
1 x	4 x	3430021	Lock nut M12 DIN985 A2
1 x	4 x	3430025	Washer Ø 13 DIN125 A2
1 x	4 x	3300054	red protective screw cap - lower part, domed M12

2 x SFAS1200020 Triple balancing rope at tensioning device in stainless steel platform



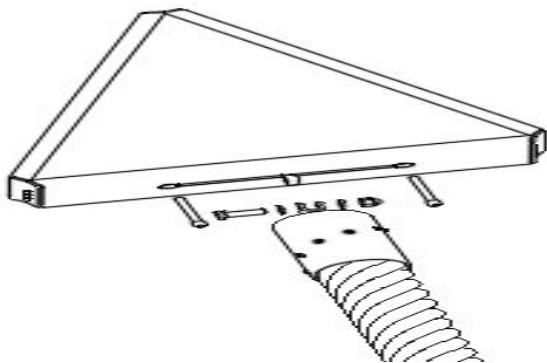
per SC	Total	K&K-Item	Marking
2 x	4 x	3430025	Washer Ø 13 DIN125 A2
1 x	2 x	3430051	Hexagon cap nut M12 DIN 986 A2
1 x	2 x	2030535	Sleeve for balance rope installation at tensioning console
1 x	2 x	3400395	Hexagon head cap screw M12 x 110 DIN931 A2

Item: **052160500**
 K&K Rope combination
 Location:

Order: 1297797

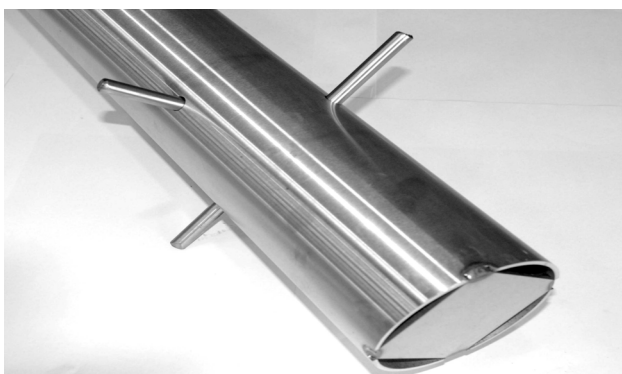
Building Project:

2 x SFAS1200025 rope end fastening at tensioning console of triangular steel platform



per SC	Total	K&K-Item	Marking
2 x	4 x	3430060	Washer Ø 17 DIN125 A2
1 x	2 x	3430041	Hexagon cap nut M16 DIN986 A2
2 x	4 x	2030246	Cheese head screw M12 x 110 with pin
1 x	2 x	2030536	Sechskantschraube M16x55 / kurzes Gewinde

12 x SFES1270001 Reinforcing steel for stainless steel posts



per SC	Total	K&K-Item	Marking
2 x	24 x	2130000	Reinforcing steel Ø 10 x 310 DIN 488

1 x SFWZ0000002 Security TORX wrench TR45



per SC	Total	K&K-Item	Marking
1 x	1 x	3490033	Allen key security TORX TR45

1 x SFWZ0000009 Hexagon insert socket driver 10mm 1/2" with borehole for Pin



per SC	Total	K&K-Item	Marking
1 x	1 x	2030170	Hexagon insert socket driver 10 mm 1/2" with drill hole for Pin

Item: **052160500**
K&K Rope combination

Order:

1297797

Location:

Building Project:

1 x SFWZ0000012 Lubricating metal (30g box) incl. brush



per SC	Total	K&K-Item	Marking
1 x	1 x	5300039	Lubricating metal box 30g
1 x	1 x	5200026	Brush for lubricating metal