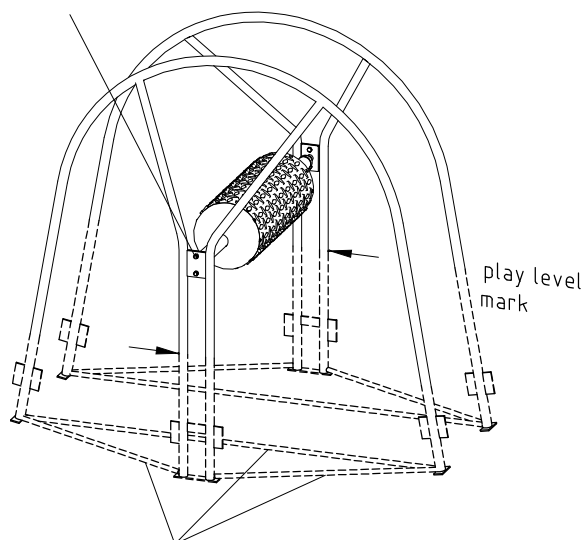


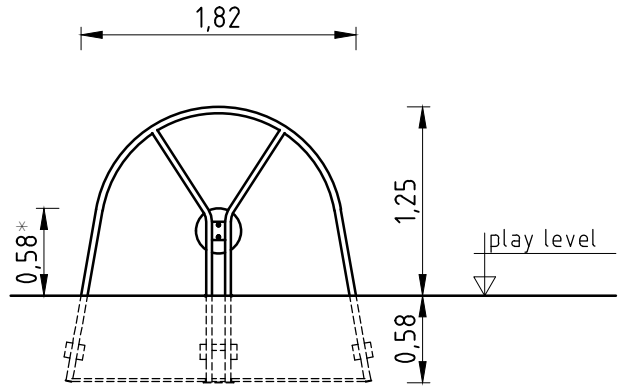
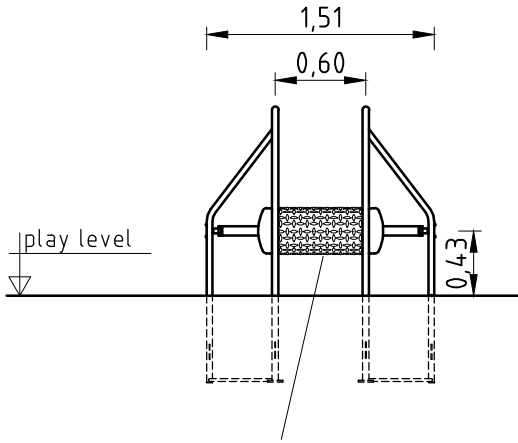
2x screw connection per frame
 consisting of:
 hexagon head screw M12x25 DIN933-A2
 hexagon cap nut M12 DIN986



spreader tube/transport protection
 to be removed optionally

1. Assign a location for the equipment considering the (minimum) space requirements/impact area.
2. Excavate soil for foundations, according to drawing. Please note: To achieve maximum stability and a safe installation, a moderate level of soil solubility is required.
3. The (slightly attached) transport locks at the bottom of the tubular frames may be removed (3 pieces $\varnothing 20$ each)! Otherwise, the holes for the foundations must respectively be enlarged.
4. Place the tubular frames into the foundation holes. Play level mark at the centre brace complies with installation depth. Insert the pre-assembled running wheel into the frames, align the device precisely horizontal with a spirit level and fasten it to the flanges in the frames.
5. Grout foundations with compressed concrete C20/25, chamfer and round off the edges and cover the foundations with appropriate surfacing material (according to EN 1176-1).
6. Release for play after concrete foundations have set.
7. According to maintenance instructions, check all screw connections after 4-5 weeks and retighten, if necessary.

Please ensure that all special tools supplied (e.g. Allen key for secured Allen screws etc.) and all specific documents which are or may be useful for safety management acc. to EN 1176-7 (e.g. invoice, delivery note, order acknowledgement, installation instructions, maintenance instructions) are forwarded to the persons responsible.



*max. free height of fall

install running wheel horizontally

impact area approx. 17 m²

