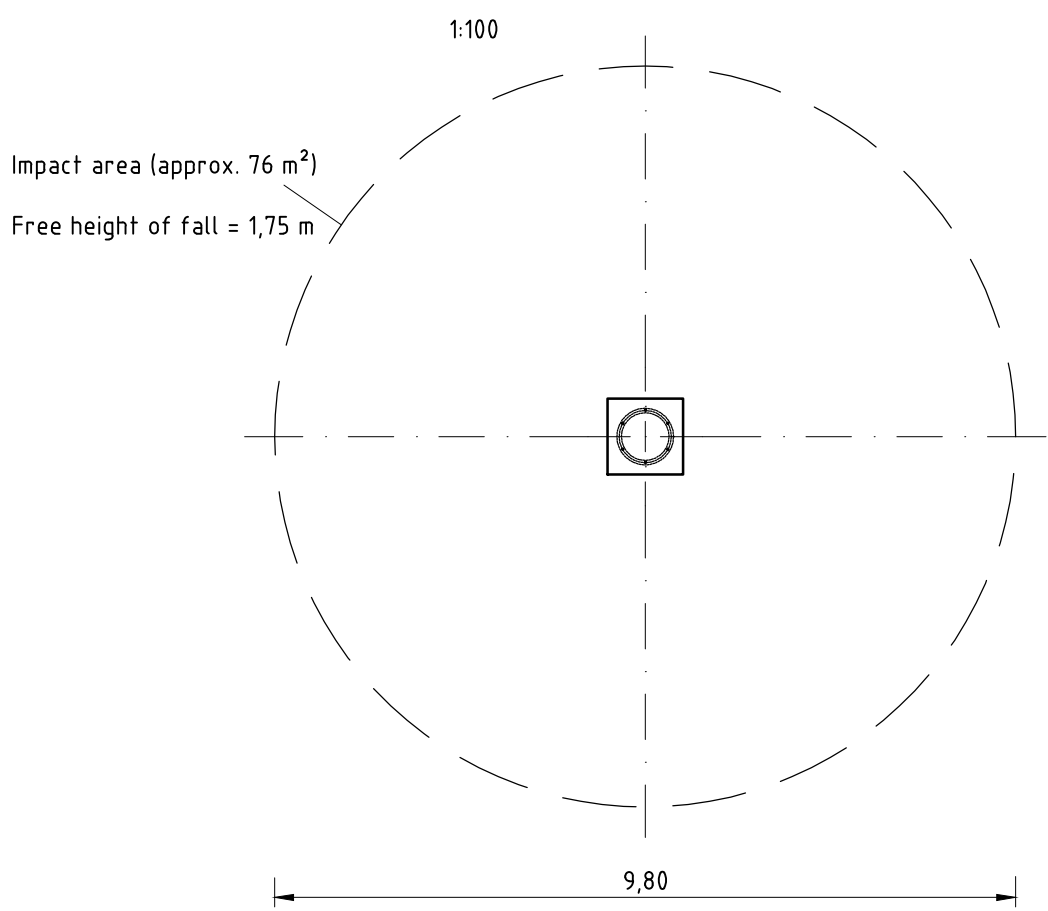
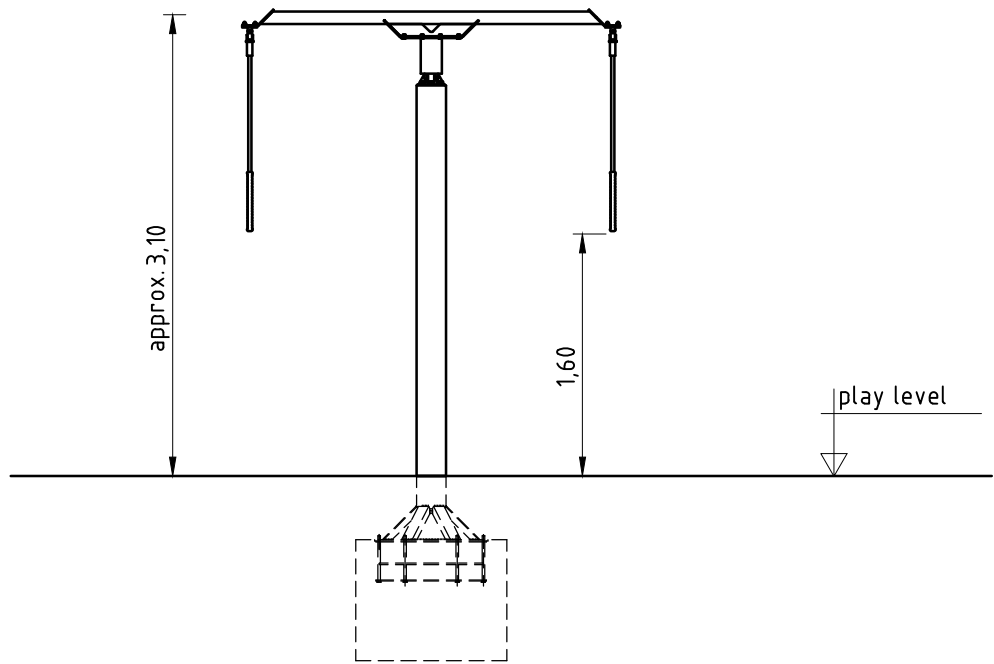


1. Assign a location for the equipment considering the space requirement (impact area).
2. Excavate soil for foundation, according to drawing.
Please note: To achieve maximum stability and a safe installation, a moderate level of soil solubility is required.
3. Grout foundation with compressed concrete C20/25, insert flange ring into concrete according to drawing and align it with a spirit level.
4. After concrete foundation has set, mount steel post onto flange ring.
Cover foundation with a surfacing material which meets the requirements for impact attenuation so that the critical height of the surfacing is equal to or greater than the free height of fall of the equipment (acc. to EN 1176-1).
5. Mount crossbeam to bearing.
6. Fix rope with rubber handle to chain adapter: Unscrew cheese-head screw (M8x20-A2) inside adapter, insert last chain link and fix with the screw.
Please note that the cheese-head screw has to be tightened stoutly e.g. with an Allen key or a catch without overwinding the screw.
7. According to maintenance instructions, check all screw connections after 4-5 weeks and retighten, if necessary.

Please take care that all special tools (e.g. special Allen key for secured Allen screws etc.) and all specific documents which are or may be useful for safety management acc. to EN 1176-7 (e.g. invoice, delivery note, order acknowledgement, installation instructions, maintenance instructions) are forwarded to the persons responsible .



Installation

Item-No.
0-44520-002

Description
K&K Rotating swing

Scale
1:50

Date
10/12 EB

Page
2/3

