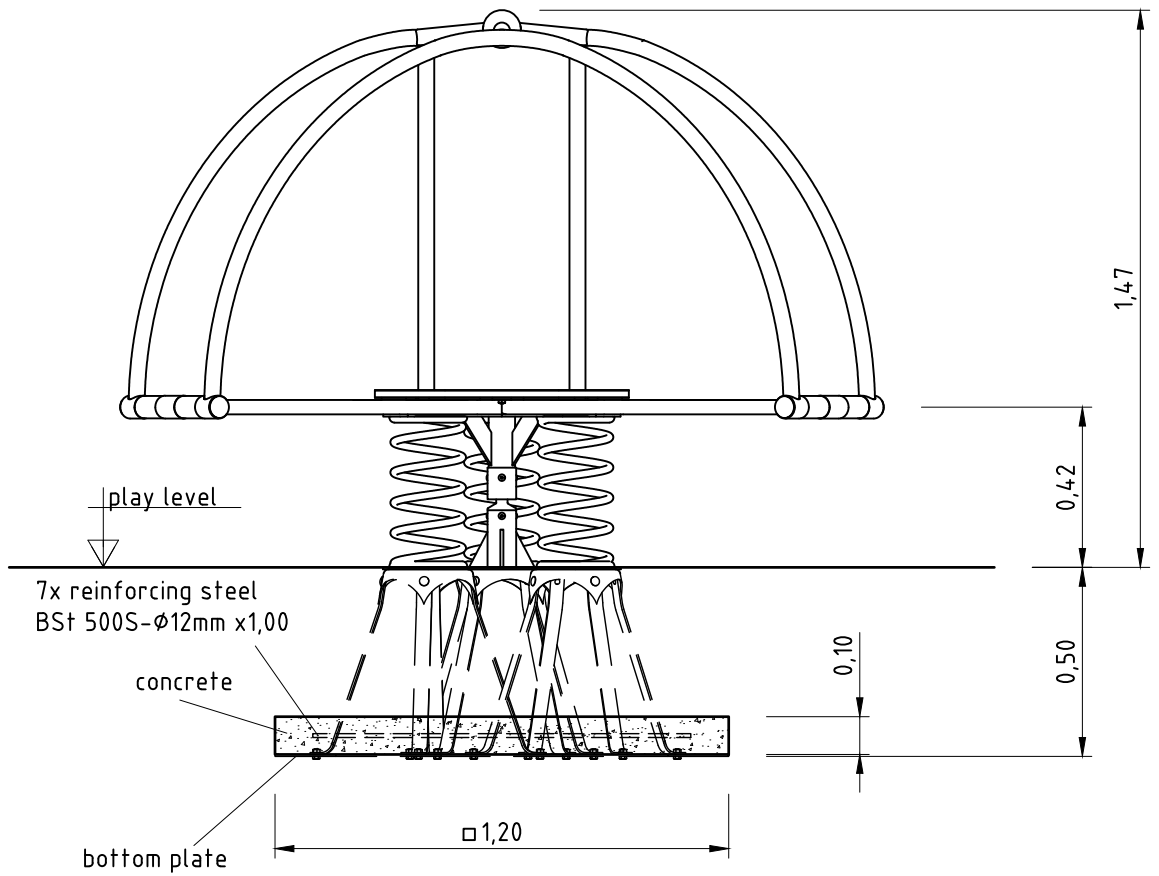


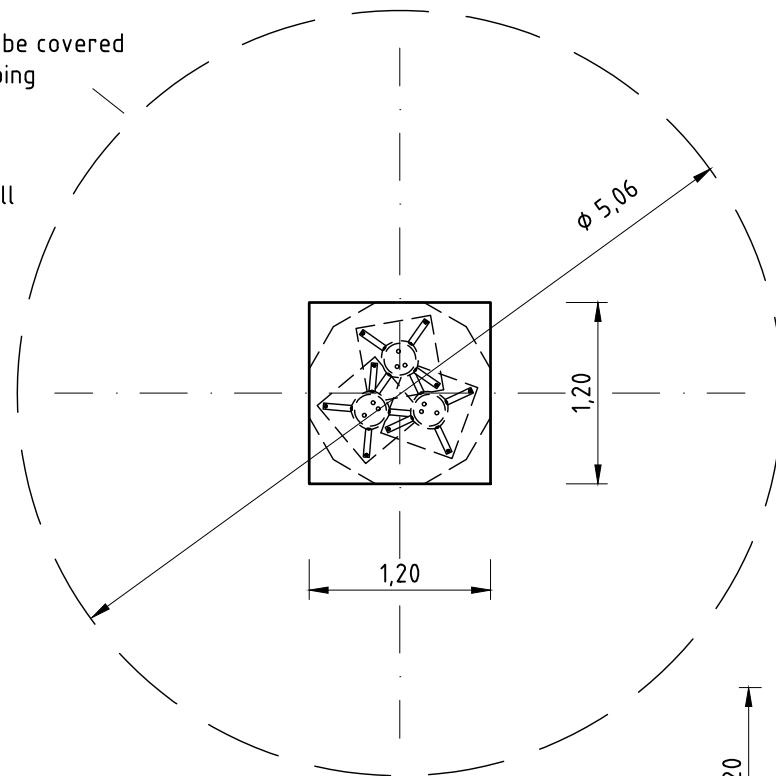
1. Assign a location for the equipment considering the impact area/(falling) space requirements.
2. Excavate soil for ground anchor, according to drawing.
3. Put ground anchor into hole and align it.
4. Please note: To achieve maximum stability and a safe installation, it is necessary to cover the bottom plate of the ground anchor with a reinforced (7x BSt 500S / $\phi$ 12 mm x 1,00 m) concrete slab 1,20 m x 1,20 m x 0,10 m made of compressed concrete C20/25 (acc. to drawing).
5. Cover up to the top of depth anchor with surfacing material which meets the requirements for impact attenuation so that the critical fall height of the surfacing is equal to or greater than the free height of fall of the equipment (according to EN 1176-1).
6. Due to forced movement, it is essential to cover the entire impact area with a surfacing material which meets the requirements for impact attenuation so that the critical fall height of the surfacing is equal to, or greater than, the free height of fall of the equipment (according to EN 1176-1).
7. Check all screw connections according to maintenance instructions after 4-5 weeks and screw down again if necessary.

Please take care that all special tools (e.g. special Allen key for secured Allen screws etc.) and all specific documents which are or may be useful for safety management acc. to EN 1176-7 (e.g. invoice, delivery note, order acknowledgement, installation instructions, maintenance instructions) are forwarded to the responsible persons.



Impact area  
(approx. 20 m<sup>2</sup>)  
Area which has to be covered  
with impact absorbing  
surfacing

Free height of fall  
= 0,95 m



**Reinforcement:**

7x reinforcing steel  
BS1 500S-Ø12mm x 1,00

