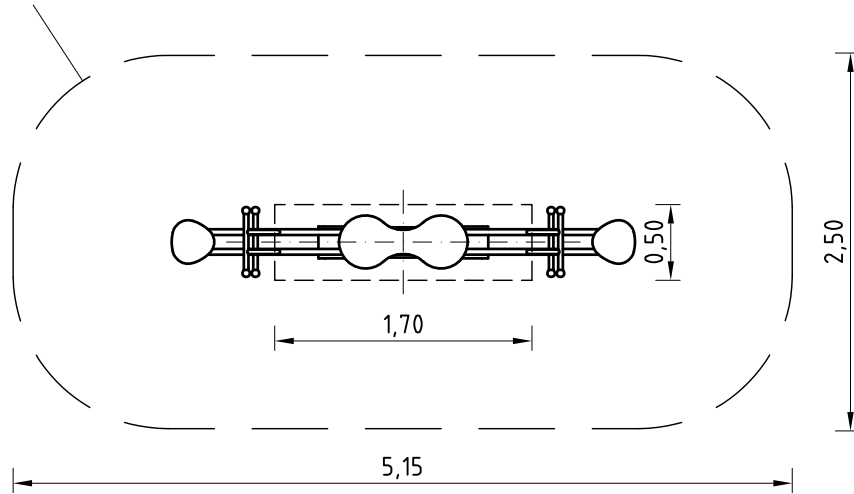


Impact area (approx. 12 m²)
Area which has to be covered
with impact absorbing surfacing.

1:50

free height of fall = 0,95 m



1. Assign a location for the equipment considering the impact area/(falling) space requirements.
2. Excavate soil for ground anchorage, according to drawing. Please note: To achieve maximum stability and a safe installation, a moderate level of soil solubility is required.
3. Put unit with pre-assembled ground anchorage into hole and align it.
4. With loose particulate material (e.g. bark, woodchip, gravel or sand), it is essential to cover the bottom plate of the ground anchor with compressed concrete C20/25 of approx. 10 cm thickness. Afterwards, refill the remaining hole up to the top edge of the ground anchorage and compress the soil.
5. Due to forced movement, it is essential to cover the entire impact area with a surfacing material which meets the requirements for impact attenuation so that the critical fall height of the surfacing is equal to, or greater than, the free height of fall of the equipment (according to EN 1176-1).

Please ensure that all special tools supplied (e.g. Allen key for secured Allen screws etc.) and all specific documents which are or may be useful for safety management acc. to EN 1176-7 (e.g. invoice, delivery note, order acknowledgement, installation instructions, maintenance instructions) are forwarded to the persons responsible .