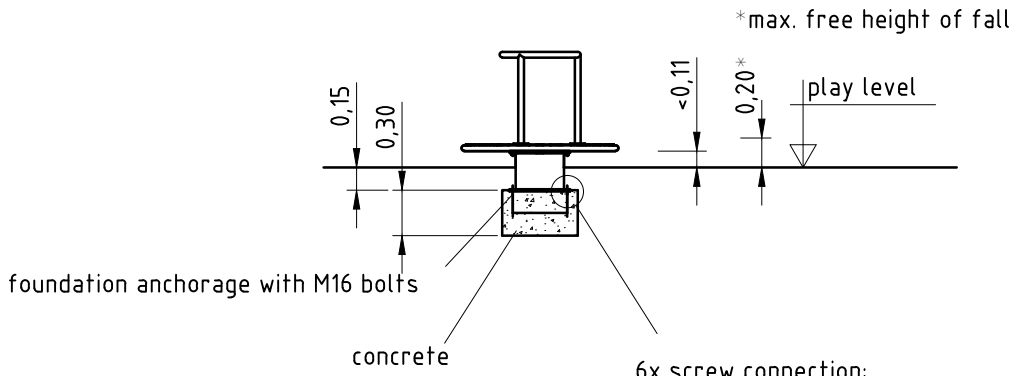
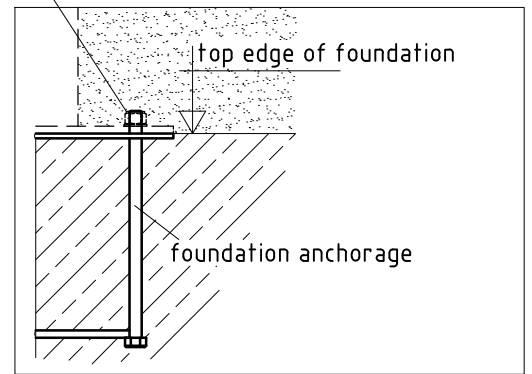


1. Assign a location for the equipment considering the impact area (free/falling space).
2. Excavate soil for foundation, according to drawing. Please note: To achieve maximum stability and a safe installation, a moderate level of soil solubility is required.
3. Grout foundation with compressed concrete C20/25 (0,15 m below play level), insert foundation anchorage into concrete, install it (acc. to drawing) **on a level with top edge of foundation** (see detail) and align it with a spirit level.
4. Remove carousel disc with upright section from bearing housing: unscrew countersunk screws beneath seat (6 x DIN 7991 M16 x 100-A2) by using an Allen key (width 10).
5. After concrete foundation has set, mount bearing housing to foundation anchorage in the following order: flange of bearing housing - washer - nylon lock nut M16 (parts fixed to anchorage ex-works).
6. Cover the foundation with soil before mounting the carousel disc to the bearing housing (see point 4). Please keep parts clean and take care of correct alignment of the interlocking parts.
7. After proper tightening of the countersunk screws, use hammer and drift to drive hexagon plugs into Allen heads of countersunk screws to prevent parts from unauthorized removal or theft.
8. Due to forced movement, it is essential to cover the impact area with a shock-absorbing surface which meets the requirements for a critical fall height of at least 1000 mm (acc. to EN 1176-5).
9. Check all screw connections according to maintenance instructions after 4-5 weeks and retighten, if necessary.

Please ensure that all special tools (e.g. special Allen key for secured Allen screws etc.) and all specific documents which are or may be useful for safety management acc. to EN 1176-7 (e.g. invoice, delivery note, order acknowledgement, installation instructions, maintenance instructions) are forwarded to the persons responsible.



6x screw connection:
safety nut DIN 985-M16 zinc-plated;
washer DIN 125-17, zinc-plated.



foundation anchorage 1:10

impact area approx. 21 m²
(to be covered by impact absorbing surfacing)

