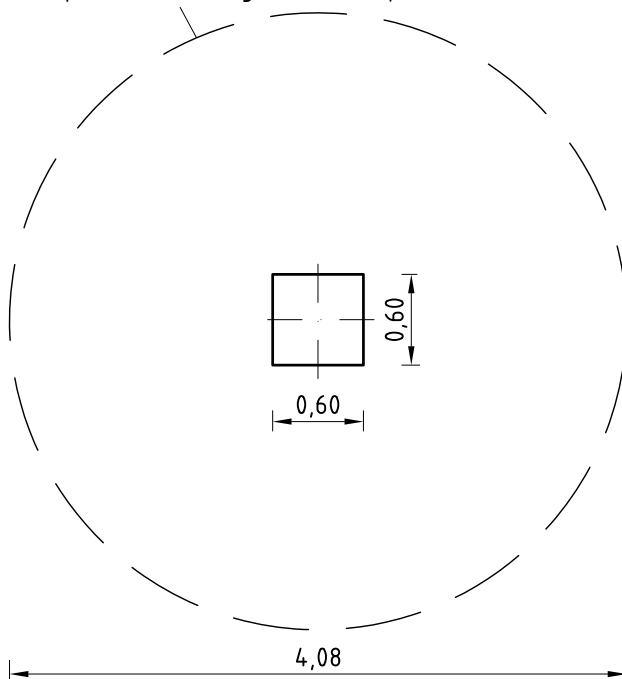
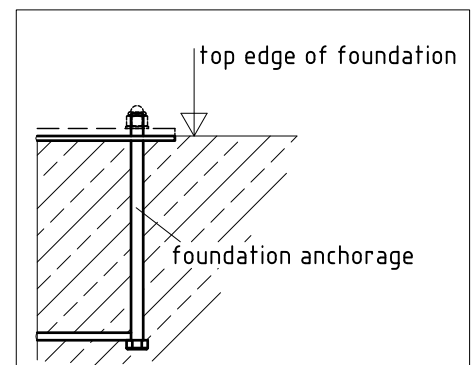


impact area, approx. 13 m²
(impact attenuating surface required)



4x screw connection:
safety nut DIN 986-M16 zinc-plated;
washer DIN 125-Ø17, zinc-plated.



detail foundation anchorage
scale 1:10

1. Assign location of equipment considering the impact area (falling space).
2. Excavate soil for foundation, according to drawing.
Please note: To achieve maximum stability and safe installation, a moderate level of soil solubility is required.
3. Grout foundation with compressed concrete C20/25, insert foundation anchorage into concrete 0,41 m below play level according to drawing and align it with spirit level.
Install foundation anchorage **on a level with top edge of foundation** (see detail).
4. After concrete foundation has set, fix equipment to foundation anchorage as follows:
Flange of bearing - washer - safety nut M16.
5. Due to forced movement, it is essential to cover the impact area with a surface which meets the requirements for impact attenuation so that the critical height of the surfacing shall be equal to or greater than the free height of fall (acc. to EN 1176-1).
6. Check all screw connections according to maintenance instructions after 4-5 weeks and retighten, if necessary.

Please ensure that all special tools (e.g. special Allen key for secured Allen screws etc.) and all specific documents which are or may be useful for safety management acc. to EN 1176-7 (e.g. invoice, delivery note, order acknowledgement, installation instructions, maintenance instructions) are forwarded to the persons responsible.