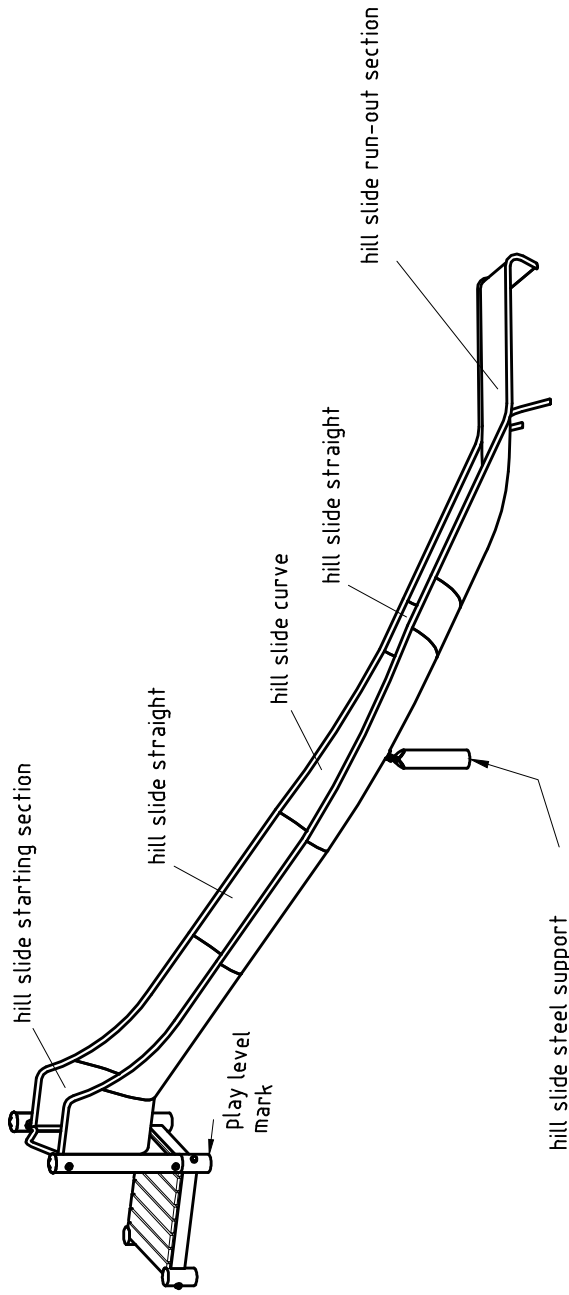


1. Assign a device location considering the space requirements (impact area).  
Slide direction recommended: north-east or in half-shade of trees.
2. Excavate soil for foundations, according to drawing.  
Please note: To achieve maximum stability and a safe installation, a moderate level of soil solubility is required.
3. Pour in a drain layer of gravel of approx. 10 cm thickness between the bottom of the posts and plain base of foundation.
4. Insert reinforcing steel into the corresponding holes of the posts.
5. Place posts type A and B (see foundation layout) into the respective foundation hole, according to the corresponding number. Play level mark (=aluminium blind rivet) complies with the installation depth. Align both posts type B by means of the play level mark facing into the same direction (see detail or foundation layout).
- 6. For installation of the pre-assembled components and/or single parts, the screws slightly have to be lubricated with installation paste!**  
Screw together platform and posts by using the middle hole in the mounting brackets.  
**Tighten all screws after having aligned all components.**  
Install the slide exit with an inclination of 5° in sliding direction.  
Screw connections see details in attached list.  
We recommend not to insert the protection caps enclosed before first maintenance as they are only suitable for one-time use (see description in item No. 9).
7. Grout foundations with compressed concrete C20/25, chamfer and round off the edges, cover the foundations with a surface which meets the requirements for impact attenuation so that its critical fall height is equal to or greater than the maximum free height of fall of the equipment (acc. to EN 1176-1). The run-out section fall zone must have surfacing with a critical fall height of at least 1000 mm (acc. to EN 1176-3).
8. Release for play after concrete foundations have set.
9. According to maintenance instructions, check all screw connections after 4-5 weeks and retighten, if necessary. Afterwards cover the screw heads with the top part of the protection caps. Strongly pound them (e.g. by using a plastic mallet) until they audibly snap into the base part groove.

Please ensure that all special tools supplied (e.g. Allen key for secured Allen screws etc.) and all specific documents which are or may be useful for safety management acc. to EN 1176-7 (e.g. invoice, delivery note, order acknowledgement, installation instructions, maintenance instructions) are forwarded to the persons responsible.

**Necessarily insert all attachment parts before tightening the screws. It is NOT possible to insert them afterwards.**



Some additional instructions for the installation of K&K Hill slides

- The specified installation height of the slide=hx must be observed (distance between play level and bottom edge of the slide entrance flange).
- The starting section of the chute must be installed horizontally.
- All (straight, curved or waved sections) of the slide assembly must be installed with the correct inclination (measured in the centre of the slide trough). This does not apply to the hill slide run-out section.
- The hill slide support has to be installed such that it effectively supports the slide, that the curved sections are properly positioned without a deviation from the inclination specified.
- The hill slide run-out section must be installed with an inclination of 5°.

# Installation

Item-No.  
0-41865-701

Description  
K&K Hill slide (2,50)  
with platform (0,20)

Scale  
1:50

Date  
03/15 KR

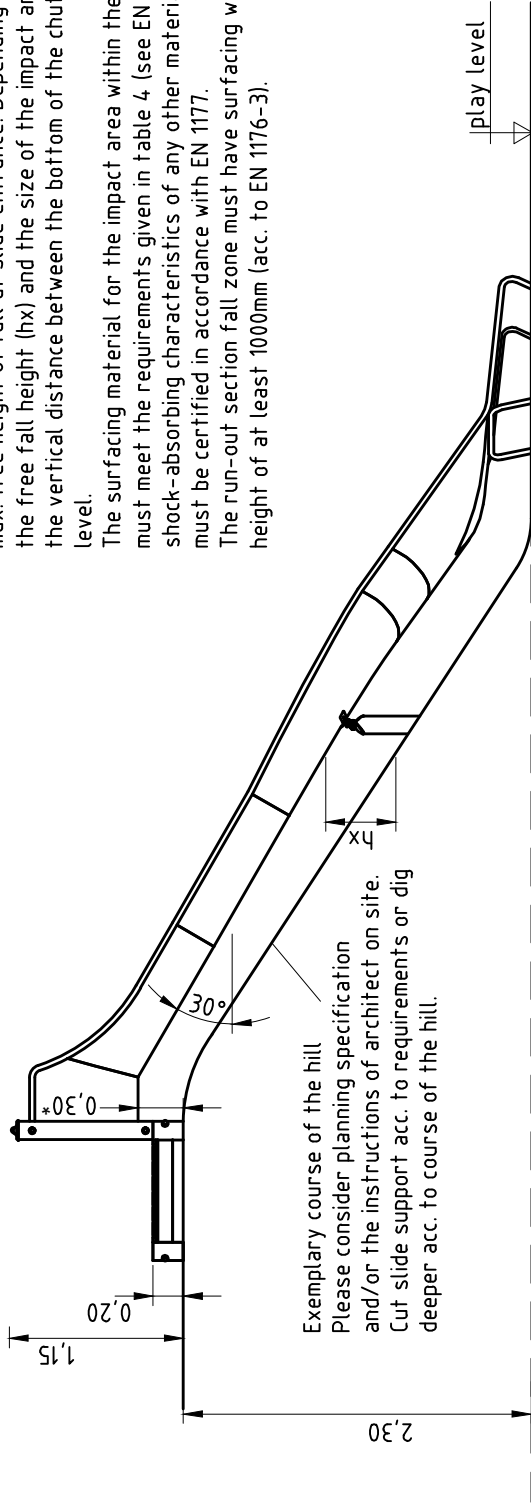
Page  
3/5

**Note: Due to the slide construction, the course of the hill must be shaped such that the fall height will not exceed 2m.**

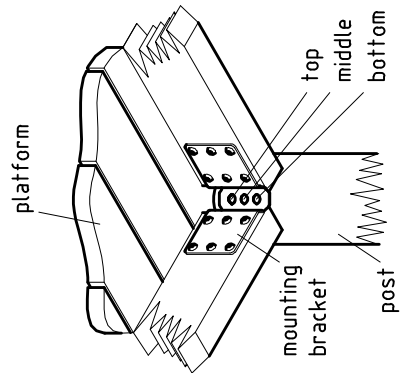
\* max. free height of fall at slide entrance: Depending on the site profile, the free fall height (hx) and the size of the impact area result from the vertical distance between the bottom of the chute and ground level.

The surfacing material for the impact area within the sliding section must meet the requirements given in table 4 (see EN 1176-1). The shock-absorbing characteristics of any other material to be chosen must be certified in accordance with EN 1177.

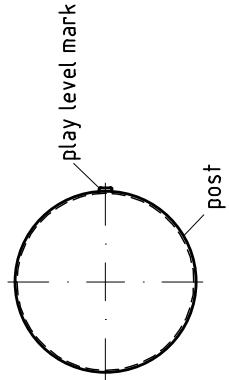
The run-out section fall zone must have surfacing with a critical fall height of at least 1000mm (acc. to EN 1176-3).



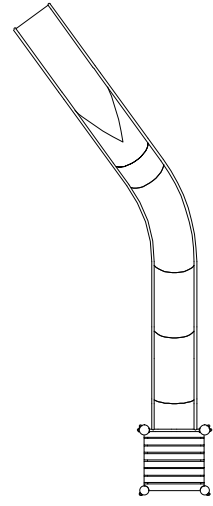
platform fastening  
1:10

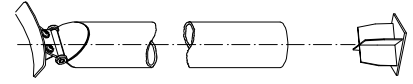
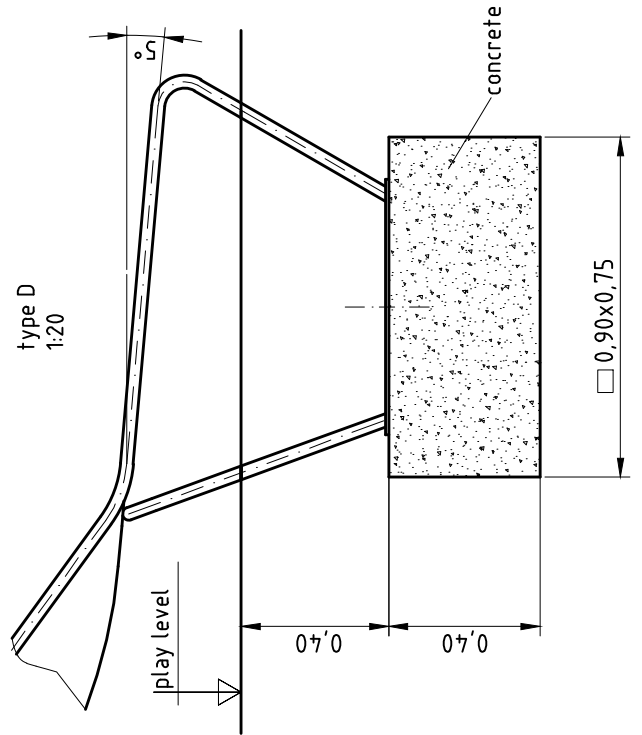
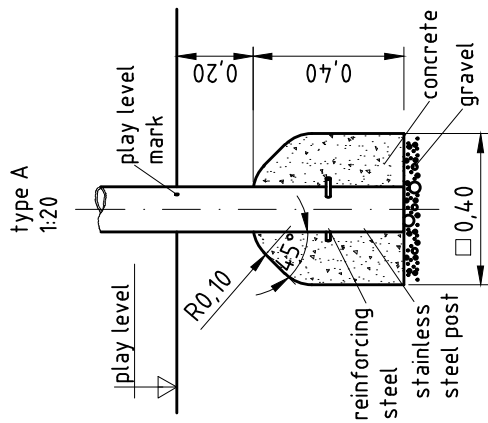
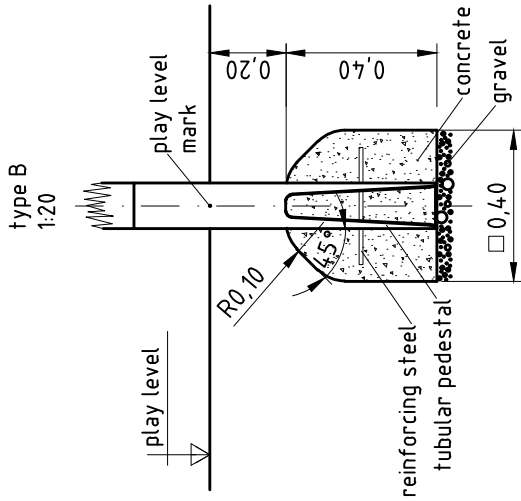
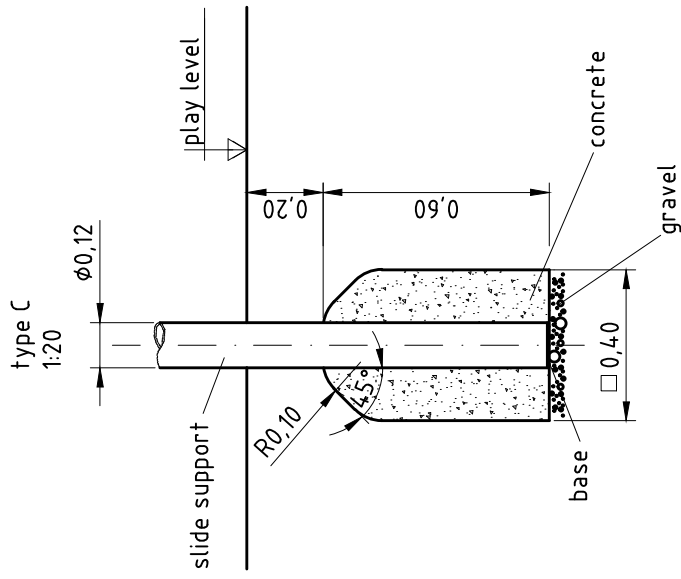


detail of play level mark  
1:5



platform orientation  
1:100





**Plug-in base for slide support**

1:20

to be mounted as follows:  
If necessary, shorten stainless steel post of slide support to the required length (with adequate appliance e.g. angle grinder) . Insert base from below into the stainless steel post.



Item: **041865701**

Order:

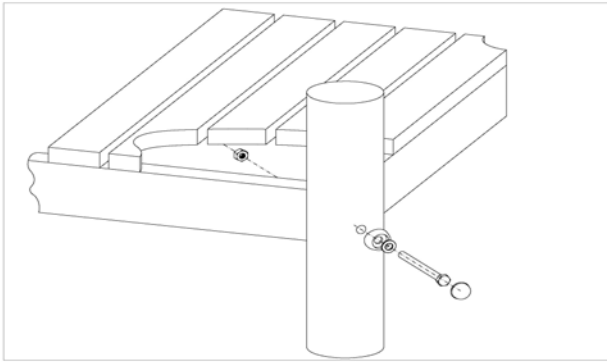
1292037

K&K Hill slide (2,50) with starting platform 0,20

Location:

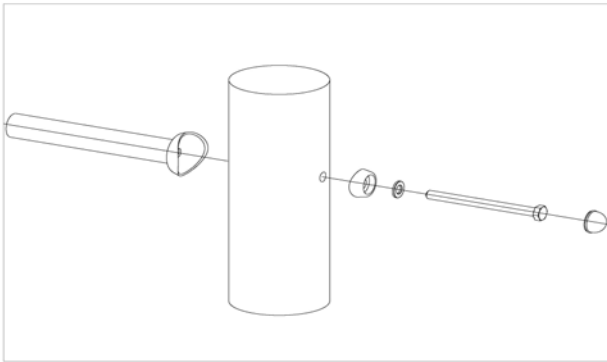
Building Project:

**4 x SFES1200014 Platform at stainless steel post/tube-pedestal  
(Hexagon screw with red cap/nut platform-site)**



per SC	Total	K&K-Item	Marking
1 x	4 x	3430025	Washer Ø 13 DIN125 A2
1 x	4 x	3300055	Screw cap - upper part M12 P2 colour red/RAL 2002 PA6
1 x	4 x	3300054	Screw cap - lower part, domed M12 colour red/RAL 2002 PA6
1 x	4 x	3430021	Lock nut M12 DIN985 A2
1 x	4 x	3400363	Hexagon head cap screw M12 x 150 DIN931 A2

**4 x SFRS1210001 Standard bolting for parapet, handrail, slide etc. at robinia posts**



per SC	Total	K&K-Item	Marking
1 x	4 x	3300055	Screw cap - upper part M12 P2 colour red/RAL 2002 PA6
1 x	4 x	3300054	Screw cap - lower part, domed M12 colour red/RAL 2002 PA6
1 x	4 x	3430025	Washer Ø 13 DIN125 A2
1 x	4 x	3400702	Hexagon head cap screw M12 x 160 DIN931 A2 with screw security coating FGB red

**2 x SFRS1270002 Reinforcing steel for stainless steel posts**



per SC	Total	K&K-Item	Marking
1 x	2 x	2130000	Reinforcing steel Ø 10 x 310 DIN 488

**2 x SFES1270007 Reinforcing steel for tubular pedestals**

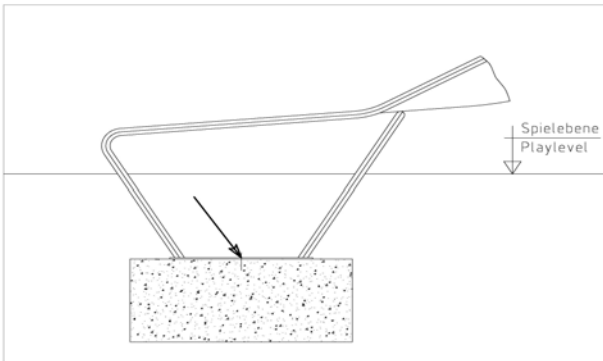


per SC	Total	K&K-Item	Marking
1 x	2 x	2130000	Reinforcing steel Ø 10 x 310 DIN 488

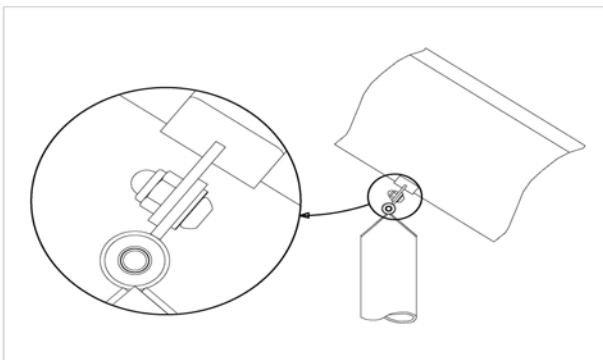
**Item: 041865701**
**Order:**

1292037

K&amp;K Hill slide (2,50) with starting platform 0,20

**Location:**
**Building Project:**
**1 x SFAS1070007 Slide run-out section (mini) stone bolt assembly**


per SC	Total	K&K-Item	Marking
2 x	2 x	1070365	Set of stone bolts for slide run-out section M12x160

**1 x SFAS1070004 Slide support post below hill slide**


per SC	Total	K&K-Item	Marking
2 x	2 x	3430025	Washer Ø 13 DIN125 A2
2 x	2 x	3400622	Dome head security bolt M12 x 25 PinHexagon A2 safety coated thread

**1 x SFWZ0000014 Lubricating metal, bag (4g)**


per SC	Total	K&K-Item	Marking
1 x	1 x	5300024	lubricating metal 4g

**1 x SFWZ0000005 Allen key security hex socket AF8**


per SC	Total	K&K-Item	Marking
1 x	1 x	3490057	Allen key security hex socket AF8