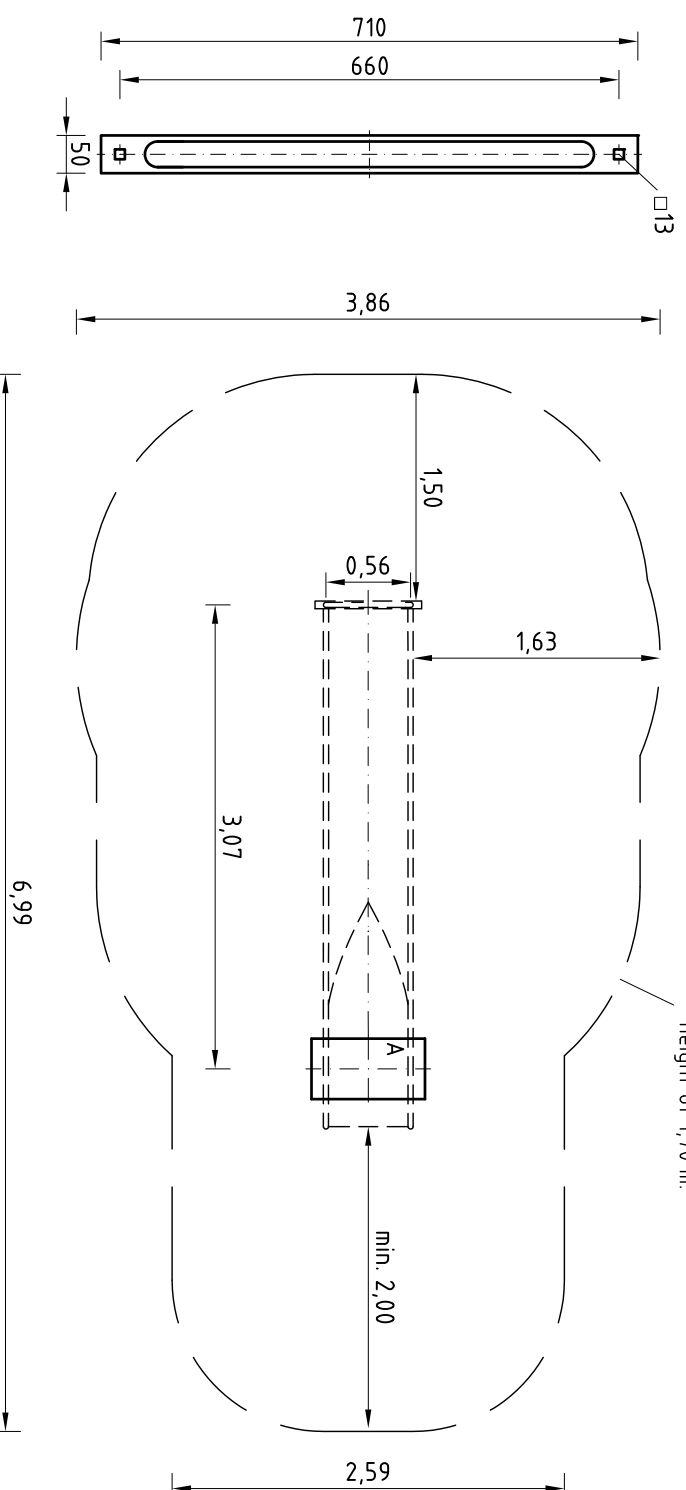
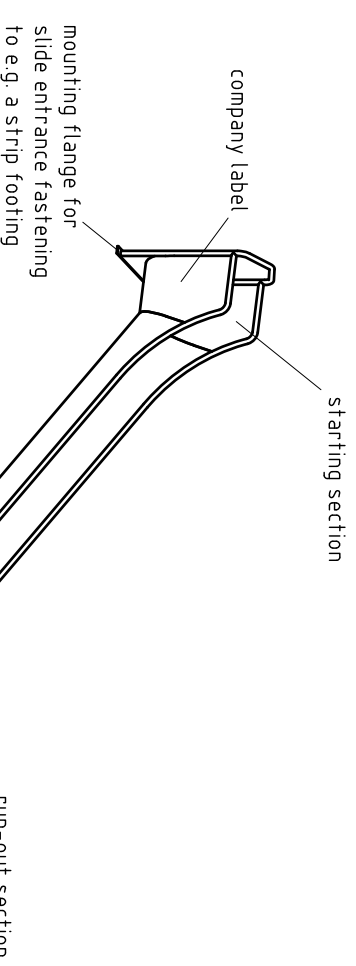


slide entrance flange  
1:10

The size of the impact area depends on the course of the hill. Example of a maximum fall height of 1,70 m.



**Option 1 : hillside situation**  
Exemplary course of the hill  
Please consider planning specification  
and/or the instructions of architect on site.



- Some additional instructions for the installation of K&K Tunnel slides
- The specified installation height of the slide must be observed (distance between play level and bottom edge of the slide entrance flange).
  - The starting section of the chute must be installed horizontally.
  - All (straight, curved or waded sections) of the slide assembly must be installed with the correct inclination (measured on the upper surface of the slide). This does not apply to the slide run-out section.
  - If applicable: The slide support has to be installed such that it effectively supports the slide, that the curved sections are properly positioned without a deviation from the inclination specified.
  - The run-out section must be installed with an inclination of 5° so that rain water can drain off.

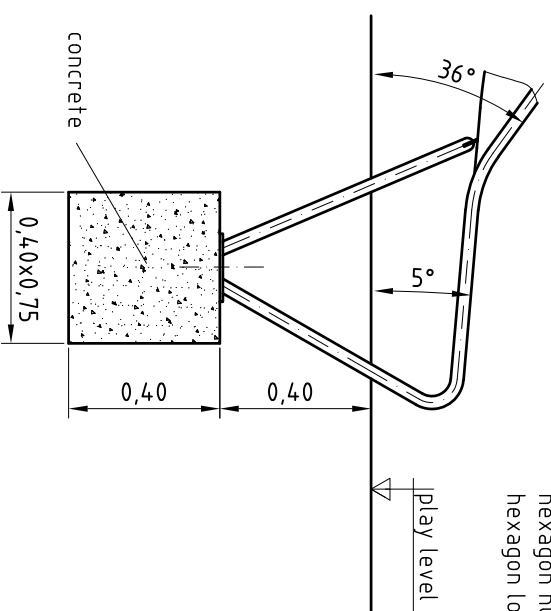
**Installation of K&K slide bedways (Flange fastening):**

- Assign a location for the slide bedway considering the space requirements/impact area. Slide direction recommended: north-east or in half-shade of trees.
- Excavate foundation hole for run-out section according to drawing. To achieve maximum stability and a safe installation, a moderate level of soil solubility is required.
- Use e.g. lifting gear to carry the slide bedway to the mounting place intended and align it (considering all additional details mentioned). Fasten flange of slide entrance by using the two holes for M12 screws.
- GROUT foundation with compressed concrete C20/25 and insert the anchor screws provided (also see detail).
- Release for play after concrete foundation has set. Cover the foundation with appropriate surfacing material.
- According to maintenance instructions, check all screw connections after 4-5 weeks and retighten, if necessary.

Please ensure that all special tools and specific documents which are or may be useful for safety management (e.g. invoice, delivery note, order acknowledgement, installation instructions, maintenance instructions) are forwarded to the persons responsible.

- Due to forced movement, the entire impact area must have impact attenuating surfacing. The critical fall height of the surfacing shall be equal to, or greater than, the free height of fall of the equipment (see EN 1176-1).
- Depending on the site profile, the free fall height (hx) and the size of the impact area result from the vertical distance between the bottom of the chute and ground level
- The surfacing material for the impact area within the sliding section must meet the requirements given in table 4 (see EN 1176-1). The shock-absorbing characteristics of any other material to be chosen must be certified in accordance with EN 1177.
- The surface around the run-out section shall have a critical fall height of at least 1000mm and shall be provided to at least 2000 mm beyond the run-out section (acc. to EN 1176-3).

type A  
1:20



**Masonry bolts for concrete foundations prepared on-site**

**2 x screw connection**

- consisting of:
- masonry bolt with nut DIN 529-M12x160-zinc-plated;
  - washer DIN 125-φ13-A2;
  - hexagon nut DIN 934-M12-A2;
  - hexagon lock nut DIN 985-M12-A2.

<p><b>Kaiser &amp; Kühne</b> Freizeitgeräte GmbH D-27324 Eysstrup Telefon 04254 / 93150 Telefax 04254 / 931524</p>	Date/Name	Item-No.
	<p>Gez. 18.04.2018 EB Geänd. 27.06.2019 EB</p>	<p>0-41416-001</p>
Scale	Description	
1:50 / A3	<p><b>K&amp;K Slide bedway (1,60)</b> Installation</p>	