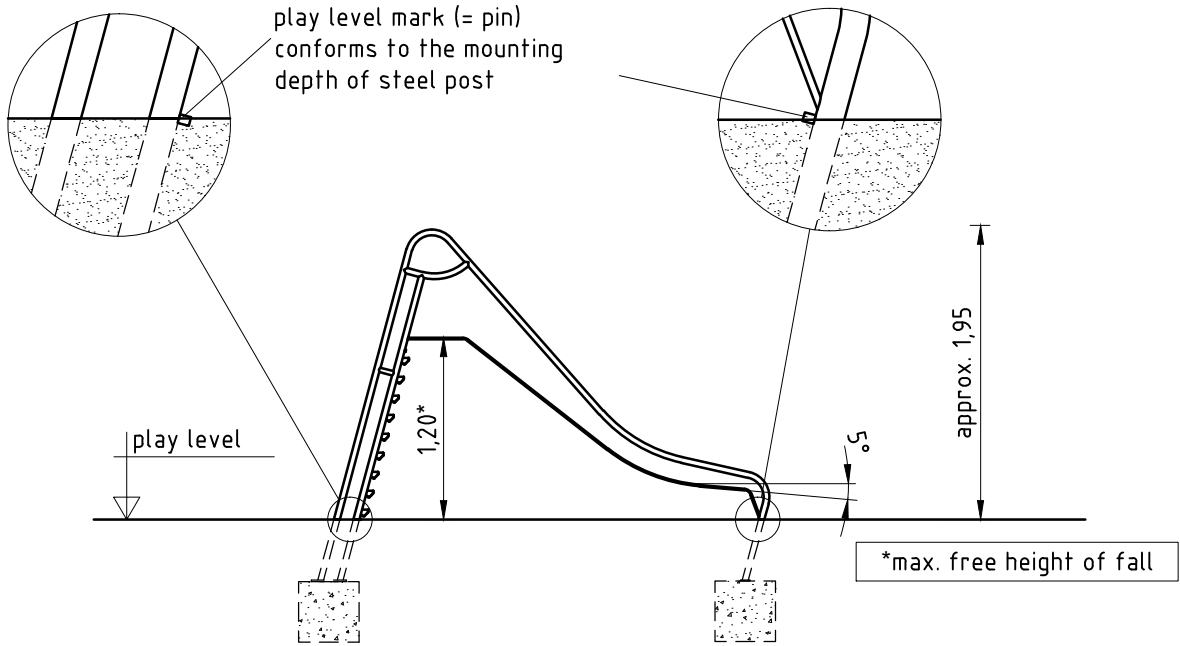
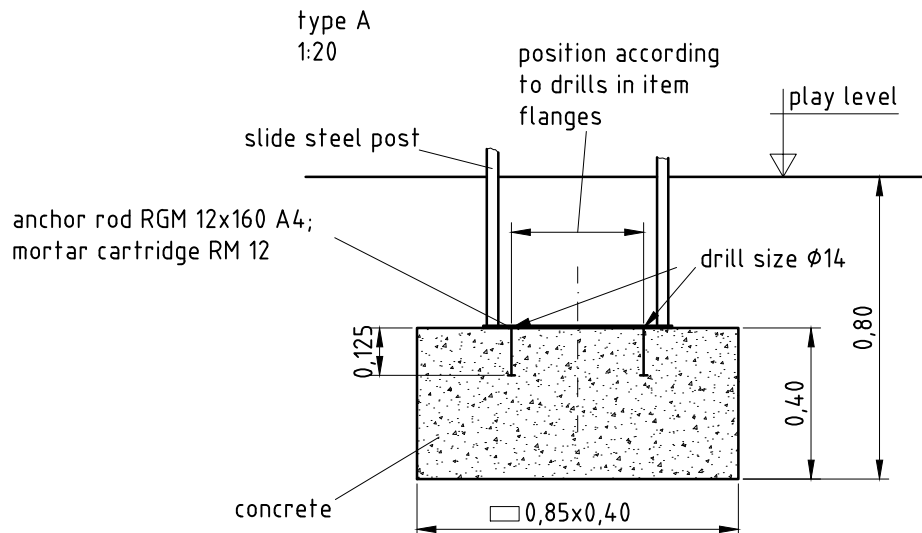
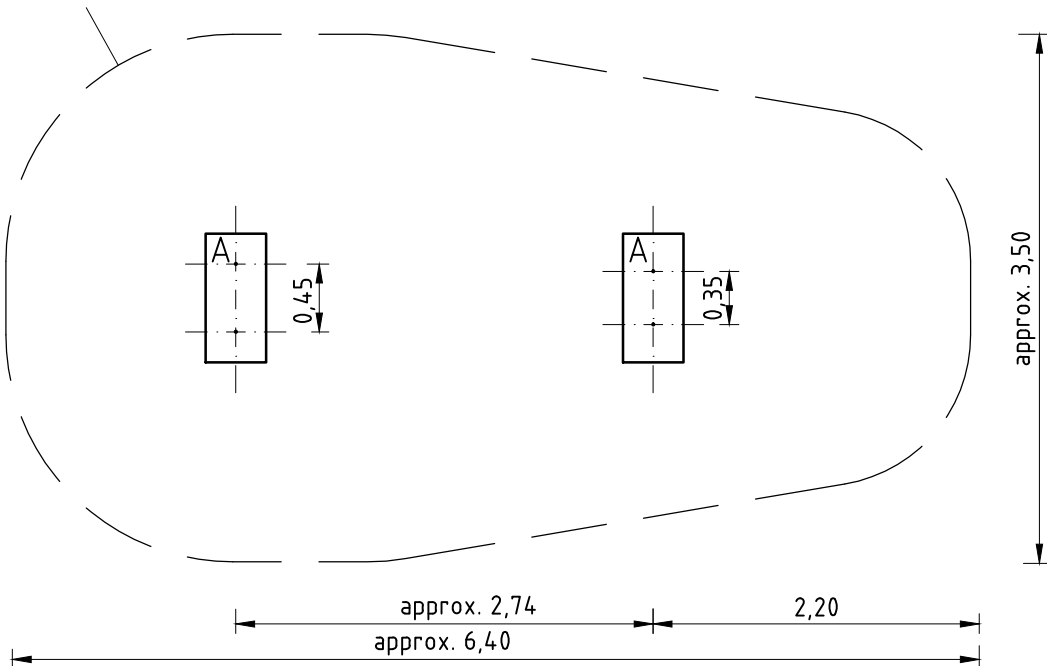


1. Assign a location for the equipment considering the minimum (falling) space requirements. Slide direction recommended: north-east or in half-shade of trees.
2. Excavate soil for foundations, according to drawing.  
Please note: To achieve maximum stability and a safe installation, a moderate level of soil solubility is required.
3. Grout foundations with compressed concrete C20/25. Take care that both foundations are at the same level in order to ensure the slide exit installation with an inclination of 5° in sliding direction.
- 4. For installation of the components, the screws slightly have to be lubricated with installation paste!**  
Connect ladder and slide chute with the safety screws provided.
- 5. After concrete foundations have set:**  
Centre ladder and slide chute on top of the foundations.
- 6. Please note: Install resin anchors according to installation instructions attached to anchor package.**  
Drill holes  $\varnothing$  14 mm for anchors, use item flanges as a drill jig, drill-hole depth 110 mm.
7. Clean the holes of drilling dust and vertically insert the mortar cartridges.
8. Set threaded rods by means of an electric power tool (hammer drill, setting adaptor attached).
9. After curing time (20 minutes at +10° to + 20°C), fix item to foundations to a tightening torque of 40 Nm (according to installation instructions).
10. Cover foundations with surfacing material up to the height of the play level mark.  
The starting and sliding section fall zones shall have surfacing with a critical fall height no less than the max. free height of fall of the equipment.  
The run-out section fall zone must have surfacing with a critical fall height of at least 1000 mm and shall extend to a minimum of 2,00 m beyond the end of the slide (according to EN 1176-3).
11. Release for play after complete installation and after placing playground surfacing.
12. According to maintenance instructions, check all screw connections after 4-5 weeks and retighten, if necessary.



impact area approx. 22 m<sup>2</sup>  
(to be covered by impact attenuating surfacing, see EN 1176-1)



# Installation