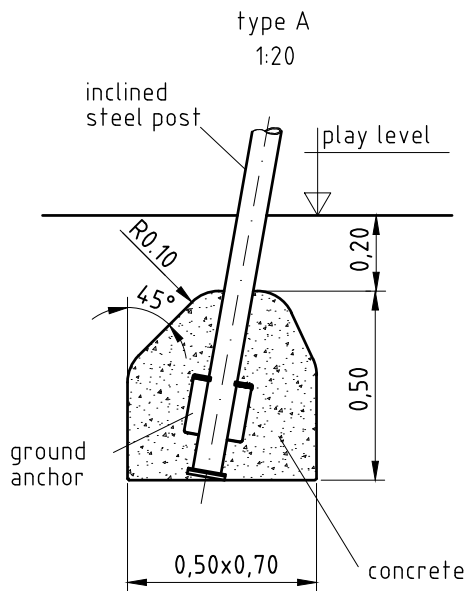
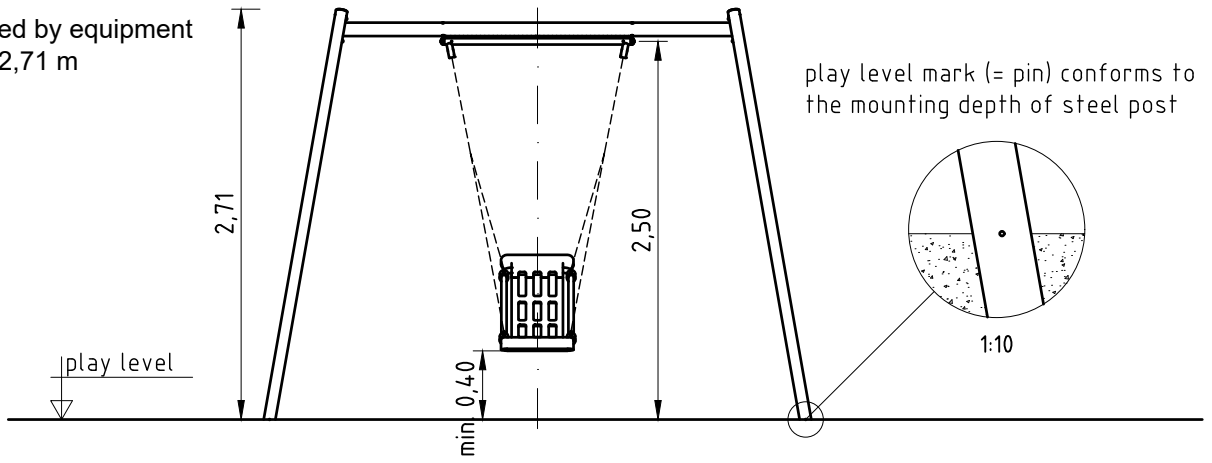


1. Assign location of equipment considering the minimum space requirements.
2. Excavate soil for foundations, according to drawing. Please note: To achieve maximum stability and a safe installation, a moderate level of soil solubility is required.
3. **Attention: Before fastening the posts to the swing crossbeam, slightly lubricate the screws with installation paste!**
4. Mount steel posts to crossbeam according to drawing, put assembled equipment into foundation holes and align it.
5. Grout foundations with compressed concrete C20/25, chamfer and round off the edges and cover with a surface which meets the requirements for impact attenuation so that the critical fall height of the surfacing shall be equal to, or greater than, the free height of fall (acc. to EN 1176-1).
6. After concrete foundations have set, attach chains to chain adapters in swing axles: unscrew cheese-head screw (M8x20-A2) inside adapter, insert the last chain link and fix it with the screw. Please note that the cheese-head screw slightly has to be lubricated with the installation paste supplied and tightened stoutly e.g. with an Allen key or a catch without overwinding.
7. If necessary, shorten length of chain in order to ensure ground clearance of at least 0,40 m.
8. According to maintenance instructions, check all screw connections after 4-5 weeks and retighten, if necessary.



Please take care that all special tools (e.g. special Allen key for secured Allen screws etc.) and all specific documents which are or may be useful for safety management acc. to EN 1176-7 (e.g. invoice, delivery note, order acknowledgement, installation instructions, maintenance instructions) are forwarded to the responsible persons.

Space occupied by equipment  
3,70 x 1,73 x 2,71 m



Impact area.  
Impact absorbing surfacing below  
swing, according to any position  
of swing seat in use.

Minimum space  
3,70 x 7,50 x 2,71 m

