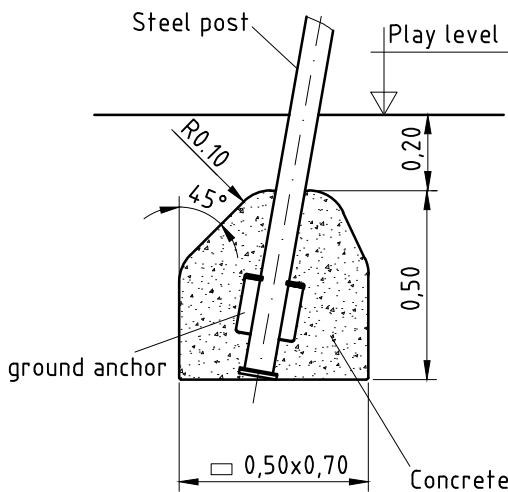
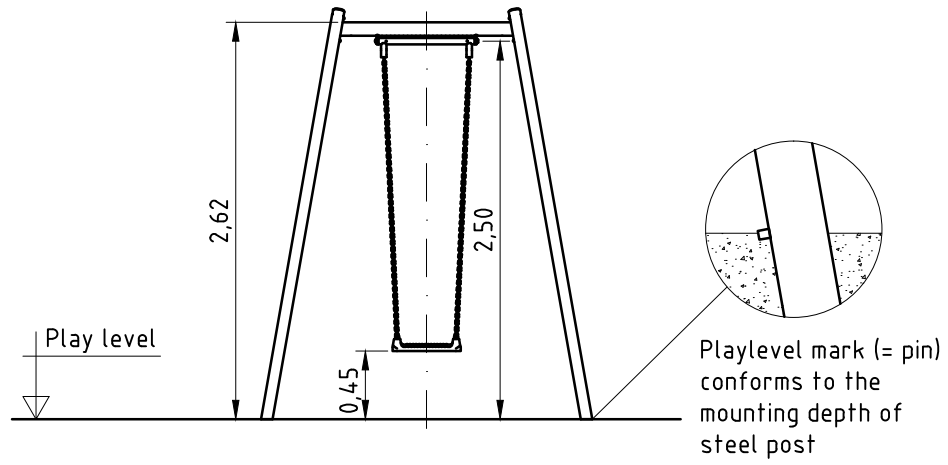


Foundation:
Type A
Scale 1:20



1. Assign location of equipment considering the space requirement (falling space).
2. Excavate soil for foundations, according to drawing. Please note: To achieve a maximum of stability and a safe installation a normal level of soil solubility is required.
3. **Attention: Before fastening the posts to the swing crossbeam, slightly lubricate the screws with installation paste!**
4. Mount steel posts to crossbeam according to drawing, put assembled equipment into foundation holes and align it
5. Grout foundations with compressed concrete C20/25, chamfer and round off the edges and cover with a surface which meets the requirements for impact attenuation so that the critical fall height of the surfacing shall be equal to, or greater than, the free height of fall (acc. to EN 1176-1).
6. Attach chains to chain adapter in swing axle after concrete foundations have set: Unscrew cheese-head screw (M8x20) inside adapter, insert last chain link and fix with screw. Attention: For installation the cheese-head screw slightly has to be lubricated with installation paste! Please note that the cheese-head screw stoutly has to be tightened e.g. with Allen key or catch without overwinding. If necessary, shorten length of chain in order to ensure minimum ground clearance of 0.45m below swing seat.
7. Check all screw connections according to maintenance instructions after 4-5 weeks and retighten, if necessary.

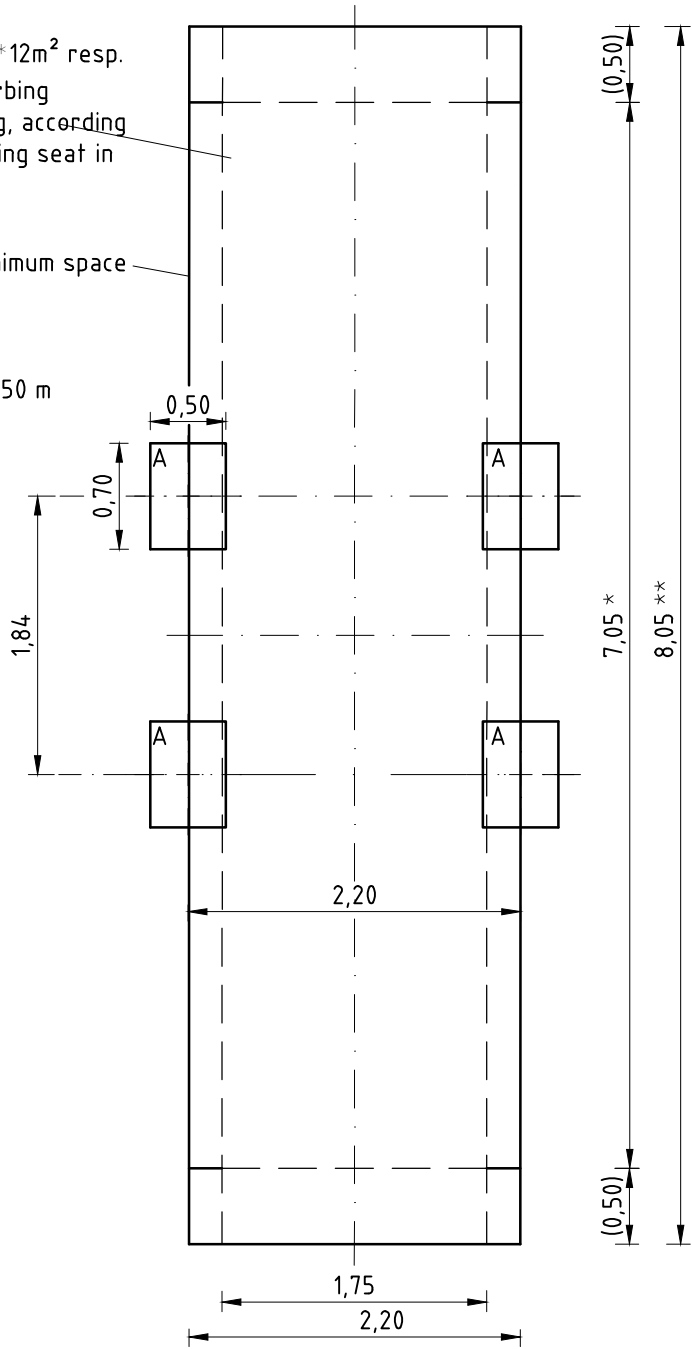
Please ensure that all special tools (e.g. Allen key for secured Allen screws etc.) and all specific documents which are or may be useful for safety management acc. to EN 1176-7 (e.g. invoice, delivery note, order acknowledgement, installation instructions, maintenance instructions) are forwarded to the persons responsible .



Impact area (approx. *12m² resp. **14m²). Impact absorbing surfacing below swing, according to any position of swing seat in use.

Minimum space

Free height of fall = 1,50 m



*)Measure in case of surfacing with impact absorbing effect that is level with the surrounding area (cf. EN 1176-2 4.10.2.1). Towards swing direction there shall be an additional area of 0,50m length free from obstacles.

**)Measure in case of natural surfacing with impact absorbing effect (cf. EN 1176-2 4.10.2.1)

Installation

Art.-No.	Description	Scale	Date	Page
0-40340-000	K&K Standard swing (2,50)	1:50	01/16 EB	2/2
0-40344-000				