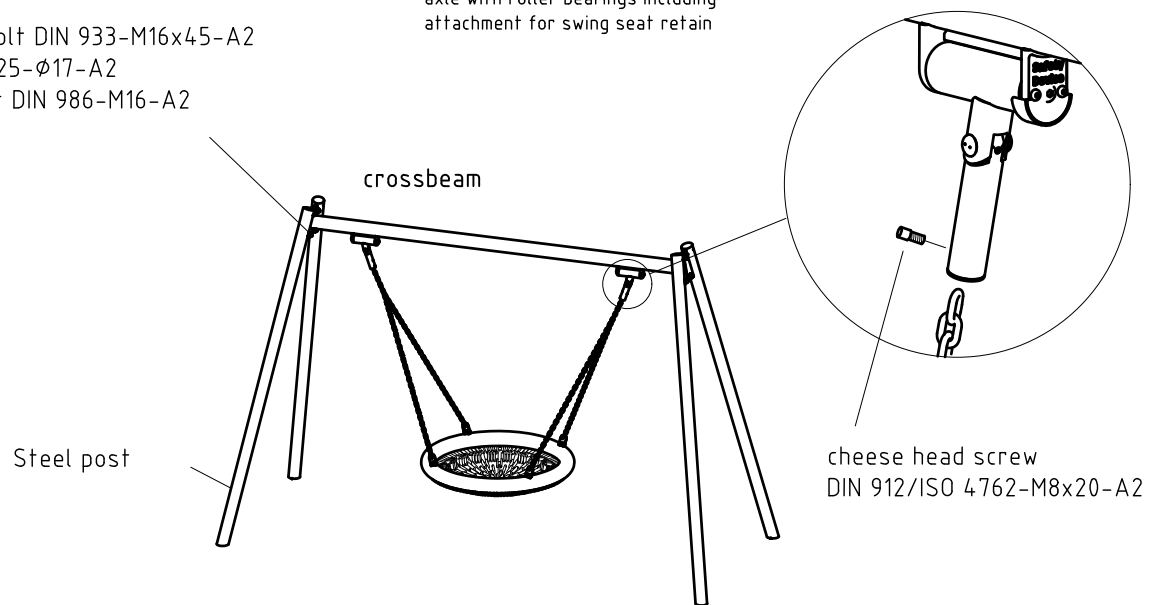
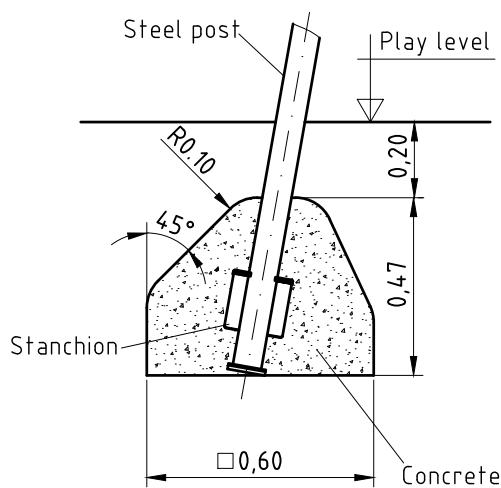


2 screw connections per swing post
 consisting of:
 Hexagon head bolt DIN 933-M16x45-A2
 2x washer DIN 125-Ø17-A2
 Hexagon cap nut DIN 986-M16-A2

two-piece stainless steel swing
 axle with roller bearings including
 attachment for swing seat retain

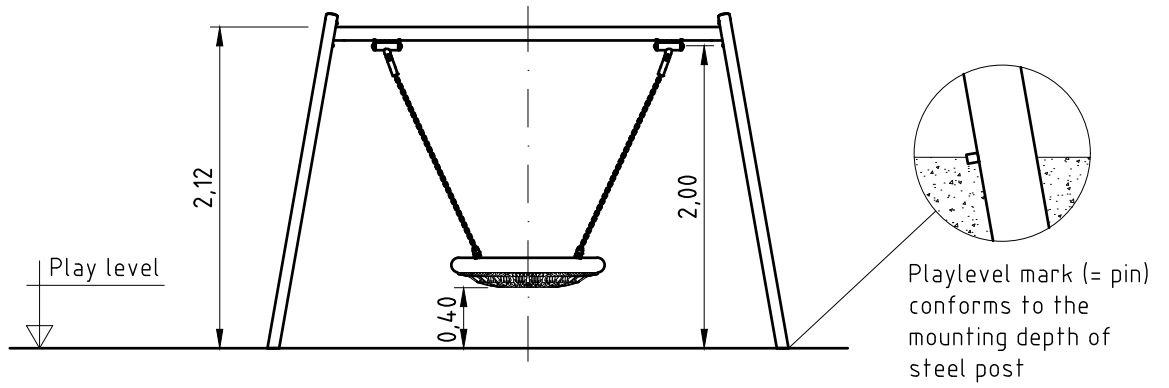


Foundation:
 Type A
 Scale 1:20



1. Assign location of equipment considering the space requirements (impact area/ falling space).
2. Excavate soil for foundations, according to drawing. Please note: To achieve a maximum of stability and a safe installation a normal level of soil solubility is required.
3. **Attention: Before fastening the posts to the swing crossbeam, slightly lubricate the screws with installation paste!**
4. Mount steel posts to cross beam according to drawing, put assembled equipment into foundation holes and align it
5. Grout foundations with compressed concrete C20/25, chamfer and round off the edges and cover with a surface which meets the requirements for impact attenuation so that the critical fall height of the surfacing is equal to, or greater than, the free height of fall (acc. to EN 1176-1).
6. Attach chains to chain adapter in swing axle after concrete foundations have set: Unscrew cheese head screw (M8x20) inside adapter, insert last chain link and fix with screw. Attention: For installation the cheese head screw has to be lubricated thinly with installation paste! Please note that the cheese-head screw has to be tightened e.g. with Allen key or catch stoutly without overwinding the screw. If necessary, shorten length of chain in order to ensure minimum ground clearance of 0.40m below basket.
7. Check all screw connections according to maintenance instructions after 4-5 weeks and retighten if necessary.

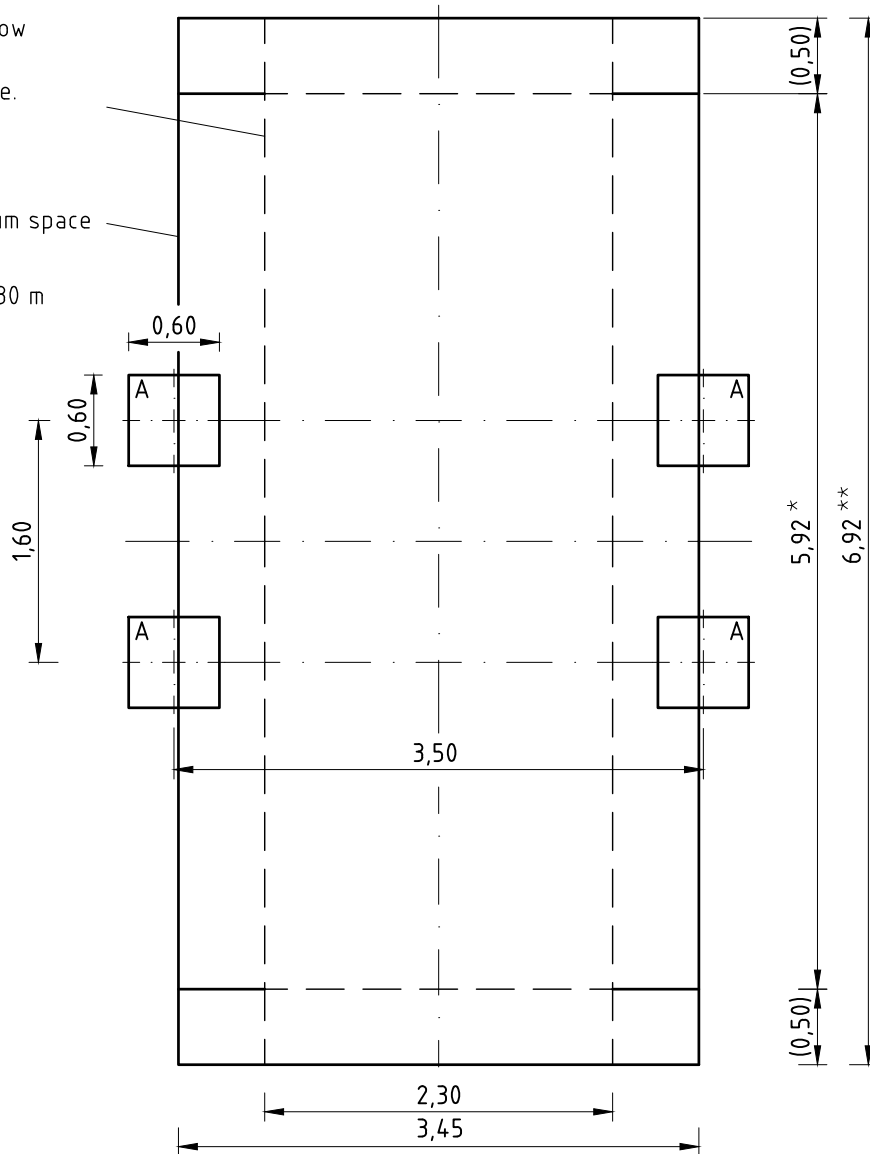
Please take care that all special tools (e.g. special Allen key for secured Allen screws etc.) and all specific documents which are or may be useful for safety management acc. to EN 1176-7 (e.g. invoice, delivery note, order acknowledgement, installation instructions, maintenance instructions) are forwarded to the responsible persons.



Impact area (approx. *14m² resp. **16m²). Impact absorbing surfacing below swing, according to any position of basket in use.

Minimum space

Free height of fall = 1,30 m



*) measure for synthetic surfacing with impact absorbing effect, level with the surrounding area (cf. EN 1176-2; 4.10.2.1). Within swinging direction, an additional flush area of 0,50m length free from obstacles must be provided

***) measure for natural surfacing with impact absorbing effect, normally loose fill (cf. EN 1176-2; 4.10.2.1)