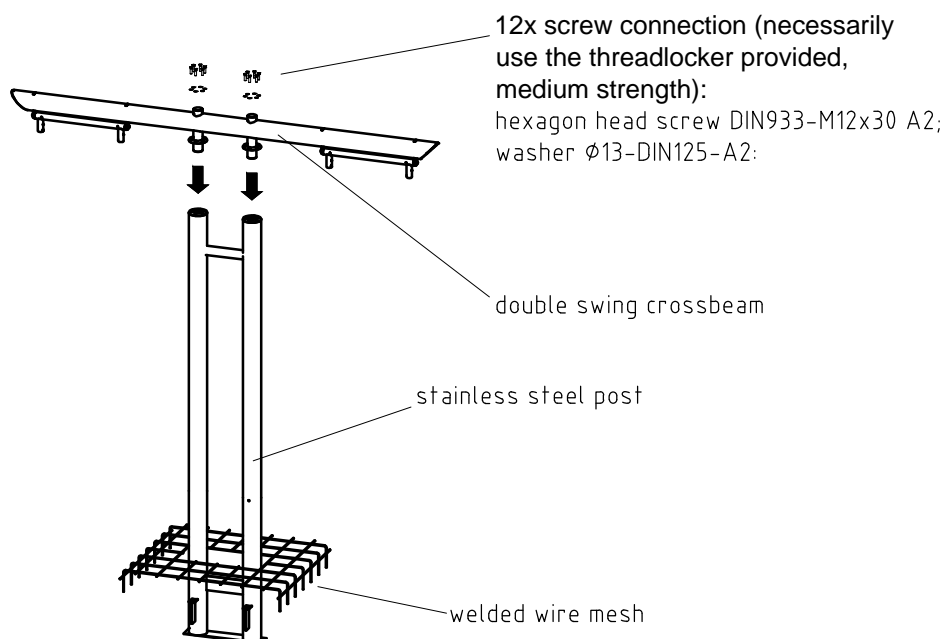
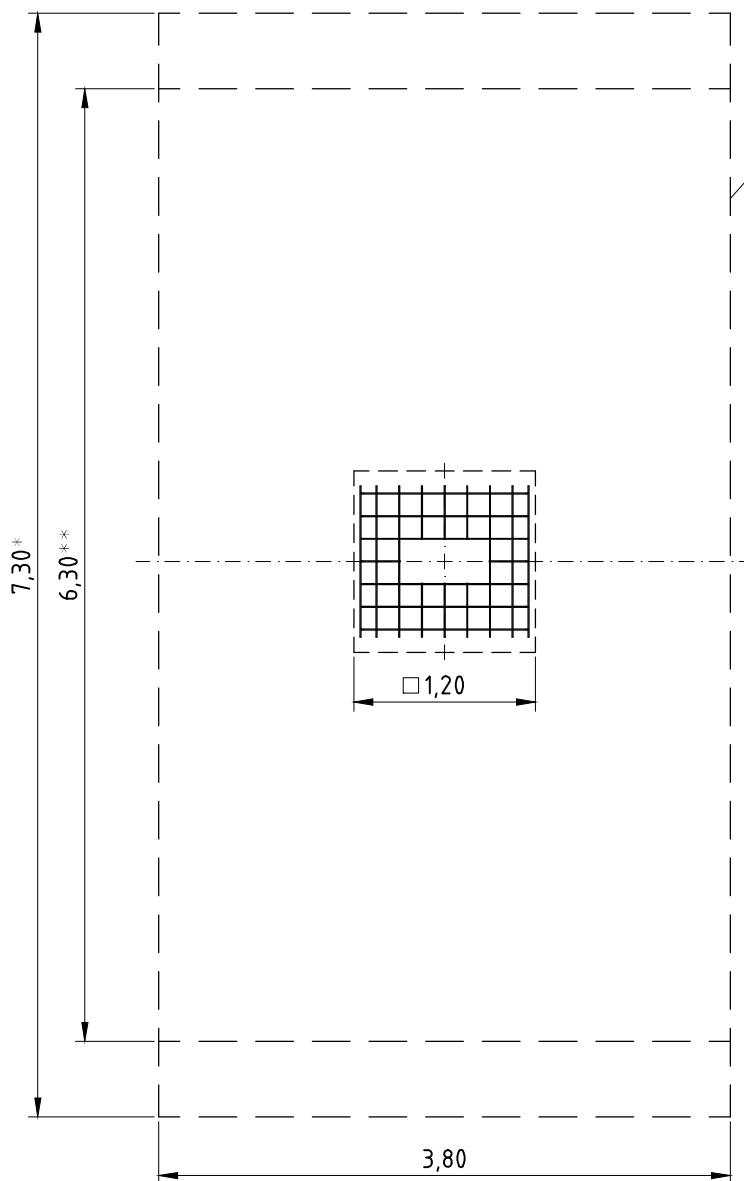
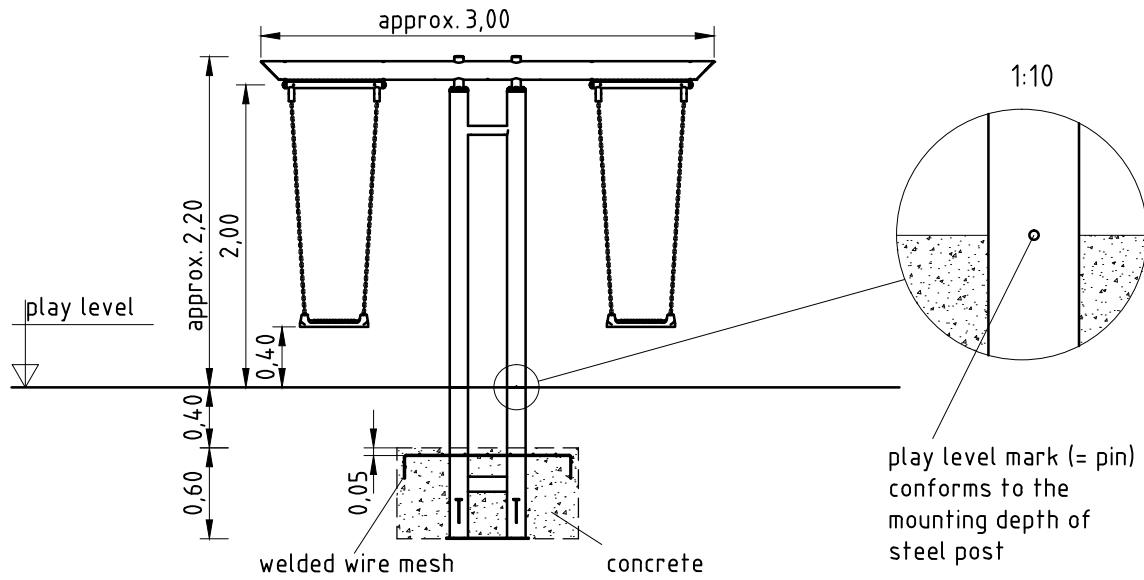


cheese-head screw
DIN 912/ISO 4762-M8x20-A2
(necessarily use fitting lubricant provided)

1. Assign a location for the equipment considering the minimum space requirements (impact area).
2. Excavate soil for foundation, according to drawing.
Please note: To achieve maximum stability and a safe installation, a moderate level of soil solubility is required.
3. Screw together the single components of the equipment (double swing crossbeam and post).
Necessarily glue the twelve screw connections in question by means of the threadlocker provided (medium strength)!
4. Mount the welded wire mesh to the steel post, put assembled equipment into the foundation hole and align it. If necessary, support it temporarily, in accordance with all security-relevant rules.
5. Grout foundation with compressed concrete C20/25 and ensure a concrete coverage of the welded wire mesh of at least 5 cm. Cover with a surfacing material which meets the requirements for impact attenuation so that the critical fall height of the surfacing is equal to, or greater than, the free height of fall of the equipment (acc. to EN 1176-1).
6. After the concrete foundation has set, attach chains to chain adapters in swing axles: unscrew cheese-head screw (M8x20-A2) inside adapter, insert the last chain link and tighten the screw e.g. with an Allen key or a catch without overwinding.
Exclusively use the fitting lubricant provided for these four screws.
7. If necessary, shorten length of chains in order to ensure ground clearance of at least 0,40 m.
8. According to maintenance instructions, check all screw connections after 4-5 weeks and retighten, if necessary.

Please ensure that all special tools supplied (e.g. Allen key for secured Allen screws etc.) and all specific documents which are or may be useful for safety management acc. to EN 1176-7 (e.g. invoice, delivery note, order acknowledgement, installation instructions, maintenance instructions) are forwarded to the persons responsible.





Impact area (approx. *24m² resp. **28m²). Area to be covered by impact absorbing surfacing under each swing position

free height of fall = 1,25 m

- *) measure for synthetic surfacing with impact absorbing effect, level with the surrounding area (cf. EN 1176-2). Within swinging direction, an additional flush area of 0,50m length free of obstacles must be provided.
- ***) measure for natural surfacing with impact absorbing effect, normally loose fill (cf. EN 1176-2)