

For installation and connection of water pump see "Installation Instruction 0-33131-001"

1. Assign a device location considering the space requirements (impact area).
2. Excavate soil for foundations, according to drawing.
Please note: To achieve maximum stability and safe installation, a moderate level of soil solubility is required.
3. Pour in a drain layer of gravel of approx. 10 cm thickness between the bottom of the steel posts and plain base of foundation.
4. Insert reinforcing steel into the corresponding holes of the steel posts.
5. Place posts type A and C (see foundation layout) according to the corresponding number [e.g. 1272100-001 (type A) or 1272074 (type C)] into the respective foundation hole. Play level mark (=aluminium blind rivet) complies with the installation depth. Align posts by means of the play level mark facing into the same direction (see detail or foundation layout).

6. For installation of the pre-assembled components and/or single parts, the screws slightly have to be lubricated with installation paste!

Screw together platform and posts by using the middle hole in the mounting brackets.

Tighten all screws after having aligned all components.

Screw connections see details in list of screw connections attached.

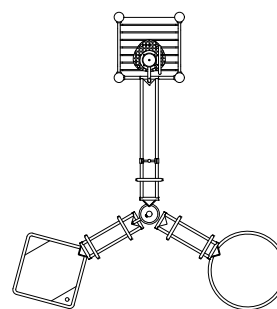
7. Grout foundations with compressed concrete C20/25, chamfer and round off the edges, cover the foundations with a surface which meets the requirements for impact attenuation so that the critical fall height of the surfacing is equal to, or greater than, the free height of fall of the equipment (acc. to EN 1176-1).
8. Release for play after concrete foundations have set.
9. Check all screw connections acc. to maintenance instructions after 4-5 weeks and retighten, if necessary.

Please ensure that all special tools supplied (e.g. Allen key for secured Allen screws etc.) and all specific documents which are or may be useful for safety management acc. to EN 1176-7 (e.g. invoice, delivery note, order acknowledgement, installation instructions, maintenance instructions) are forwarded to the persons responsible.

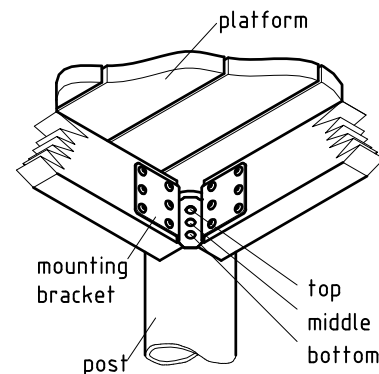
Necessarily insert all additional units before tightening the screws.

It is not possible to insert them afterwards!

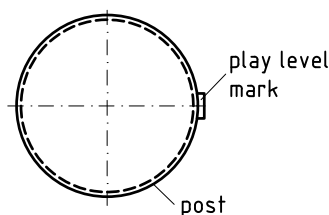
platform direction
1:100

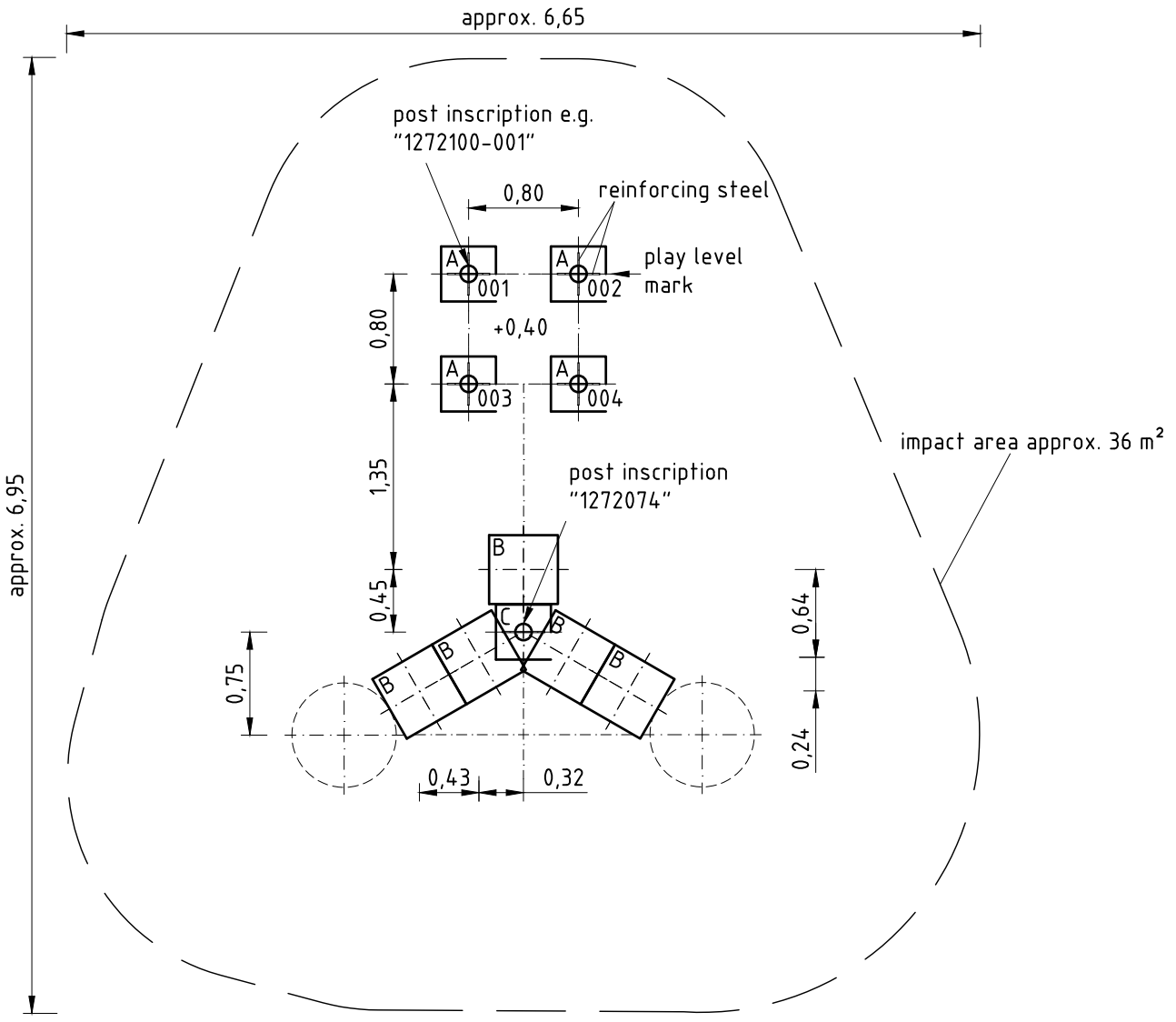
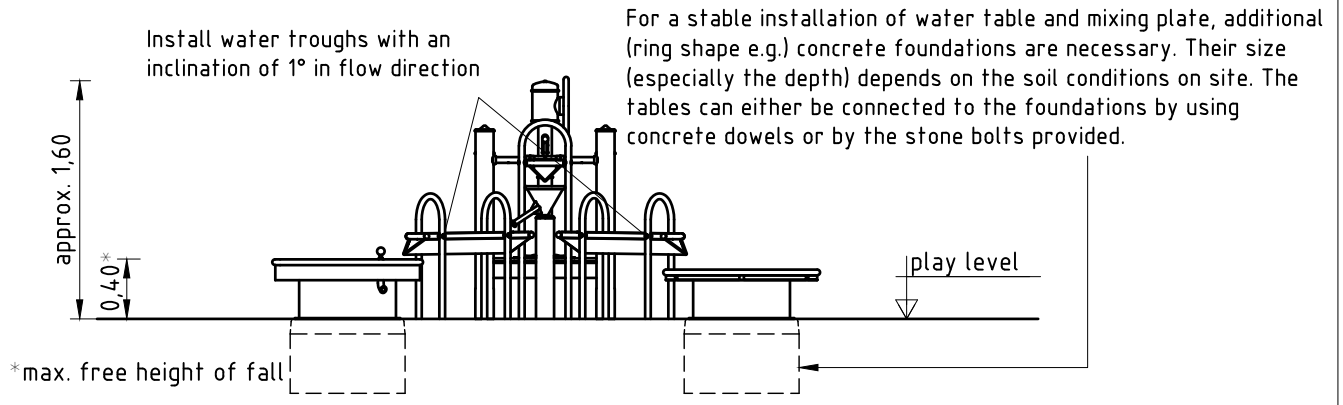


platform fastening
1:10



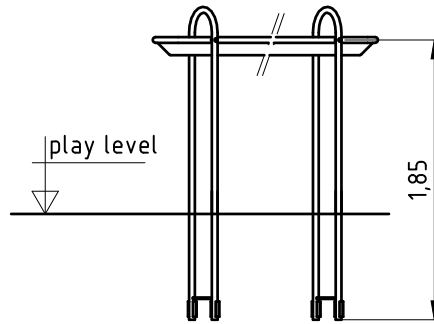
play level mark
1:5



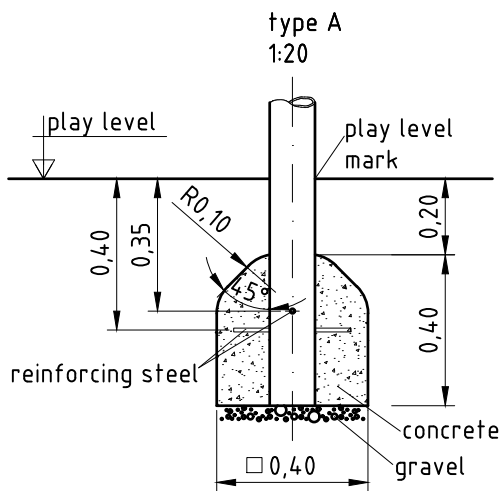
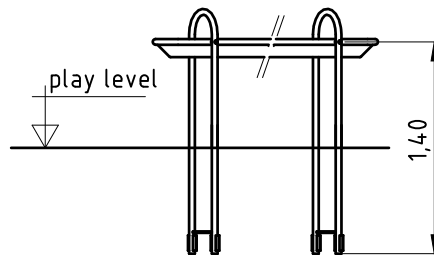


length of water trough supports

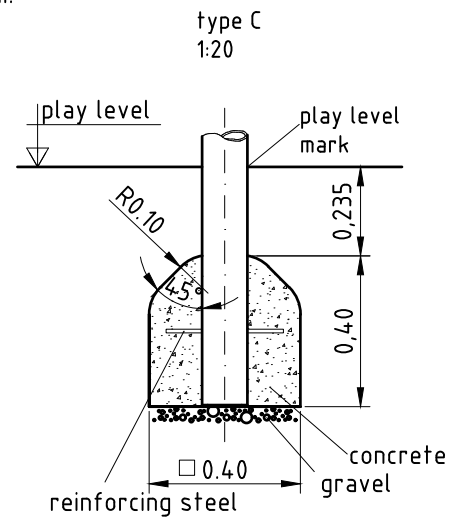
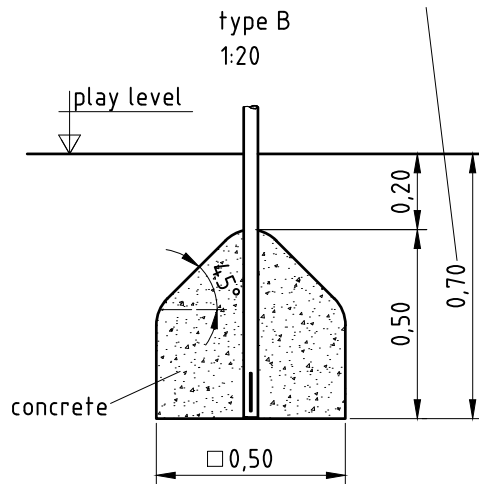
water trough No.1



water troughs No.2+3



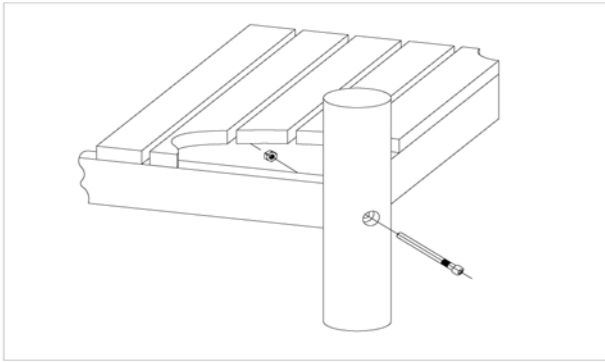
Minimum installation depth.
Depending on the trough depth required,
the foundation depth can exceed 0,70 m.



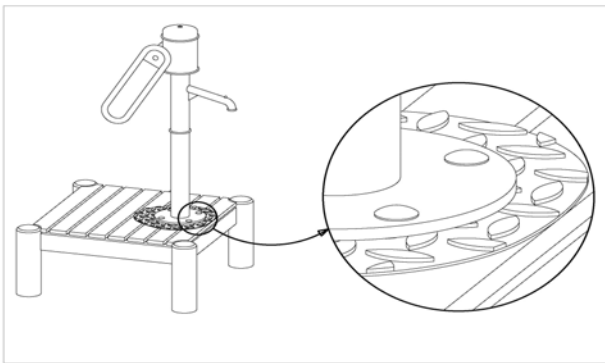
Item: 0-34072-500
 K&K Water play structure

Order:

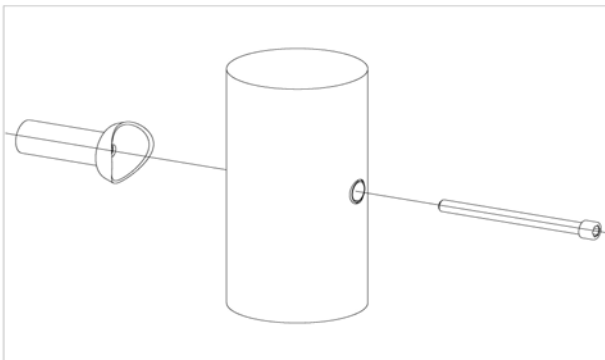
1291673

Location: **Building Project:**
4 x SFES1200001 Fixing of platform at stainless steel post nut on platform site


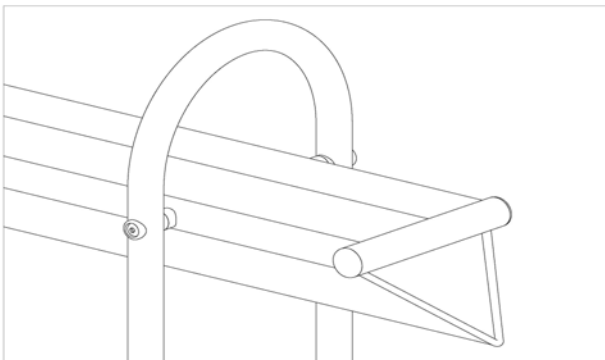
per SC	Total	K&K-Item	Marking
1 x	4 x	3430021	Lock nut M12 DIN985 A2
1 x	4 x	2030651	Cheese head screw M12 x 125 with pin and blue colour mark

1 x SFAS1260001 Water pump onto platform


per SC	Total	K&K-Item	Marking
4 x	4 x	3430025	Washer Ø 13 DIN125 A2
4 x	4 x	3430051	Hexagon cap nut M12 DIN 986 A2
4 x	4 x	3400249	Mushroom head screw M12 x 60 DIN603 A2

6 x SFES1210001 Standard bolting of add-on pieces intended to connect ES120-add-on pieces (except platforms) at support post


per SC	Total	K&K-Item	Marking
1 x	6 x	2030168	Cheese head screw M12x140 with pin Intended to connect ES120-add-on pieces (except platforms) at support post

5 x SFAS1040006 Water trough (S) at support


per SC	Total	K&K-Item	Marking
2 x	10 x	3400286	Dome head security bolt M10x50 Resistorx A2

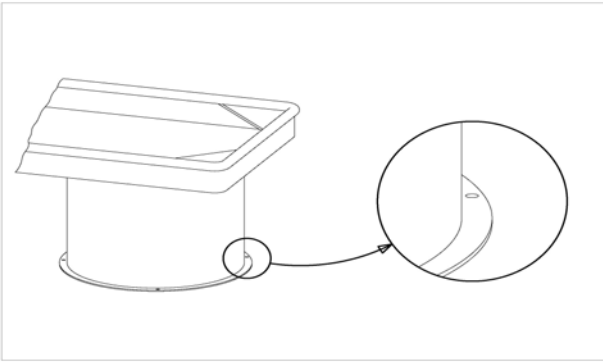
Item: **0-34072-500**
 K&K Water play structure
 Location:

Order:

1291673

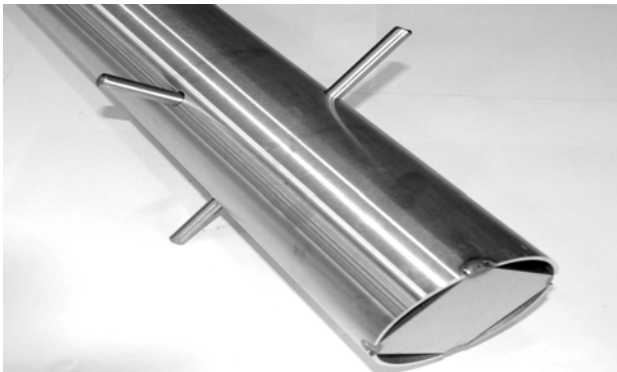
Building Project:

8 x SFAS1040011 Tighten cylinder base plate on concrete foundation with stone bolt



per SC	Total	K&K-Item	Marking
1 x	8 x	1040272	Fastening set water play equipment M10x160 A2 stone bolt/washer/nuts

4 x SFES1270001 Reinforcing steel for stainless steel posts



per SC	Total	K&K-Item	Marking
2 x	8 x	2130000	Reinforcing steel Ø 10 x 310 DIN 488

1 x SFRS1270002 Reinforcing steel for stainless steel posts



per SC	Total	K&K-Item	Marking
1 x	1 x	2130000	Reinforcing steel Ø 10 x 310 DIN 488

1 x SFWZ0000002 Security TORX wrench TR45



per SC	Total	K&K-Item	Marking
1 x	1 x	3490033	Security TORX wrench TR45

Item: **0-34072-500**
K&K Water play structure

Order:

1291673

Location:

Building Project:

**1 x SFWZ000009 Hexagon insert socket driver 10mm 1/2"
with borehole for Pin**



per SC	Total	K&K-Item	Marking
1 x	1 x	2030170	Hexagon insert socket driver 10 mm 1/2" with drill hole for Pin

1 x SFWZ000013 Lubricating metal, twin bag (2 x 4 g)



per SC	Total	K&K-Item	Marking
2 x	2 x	5300024	lubricating metal 4g