

For water pump connection and operation, see additional separate installation instructions

1. Assign a device location considering the space requirements (impact area).
2. Excavate soil for foundations, according to drawing.
Please note: To achieve maximum stability and a safe installation, a moderate level of soil solubility is required.
3. Pour in a drain layer of gravel of approx. 10 cm thickness between the bottom of the posts and plain base of foundation.
4. Insert reinforcing steel into the corresponding holes of the posts.
5. Place posts type A according to the corresponding number (see foundation layout) into the respective foundation hole. Play level mark (=aluminium blind rivet) complies with the installation depth. Align every post by means of the play level mark facing into the same direction (see detail or foundation layout).

6. For installation of the pre-assembled components and/or single parts, the screws slightly have to be lubricated with installation paste!

Screw together platforms and posts by using the middle hole in the mounting brackets.

Tighten all screws after having aligned all components.

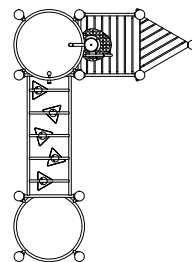
Screw connections see details in attached list.

7. Grout foundations with compressed concrete C20/25, chamfer and round off the edges, cover the foundations with a surface which meets the requirements for impact attenuation so that its critical fall height is equal to or greater than the maximum free height of fall of the equipment (acc. to EN 1176-1).
8. Release for play after concrete foundations have set.
9. According to maintenance instructions, check all screw connections after 4-5 weeks and retighten, if necessary. Afterwards cover the screw heads with protection caps.

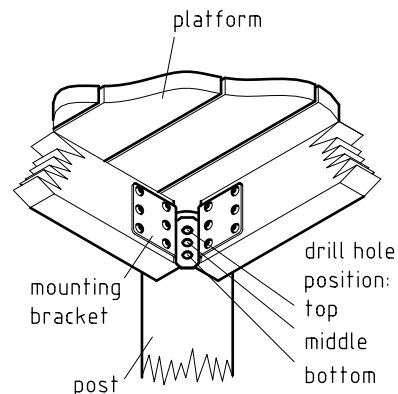
Please ensure that all special tools supplied (e.g. Allen key for secured Allen screws etc.) and all specific documents which are or may be useful for safety management acc. to EN 1176-7 (e.g. invoice, delivery note, order acknowledgement, installation instructions, maintenance instructions) are forwarded to the persons responsible.

Necessarily insert all attachment parts before tightening the screws. It is NOT possible to insert them afterwards.

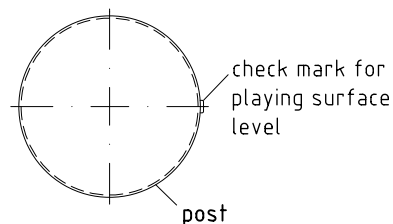
platform orientation
1:100

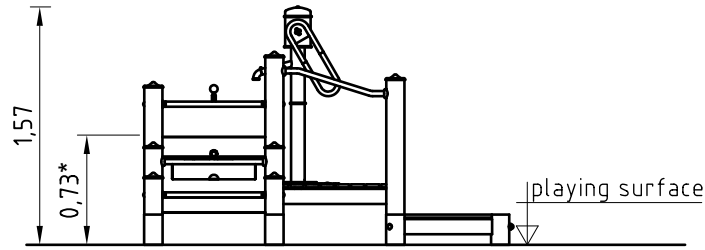


platform fastening
1:10



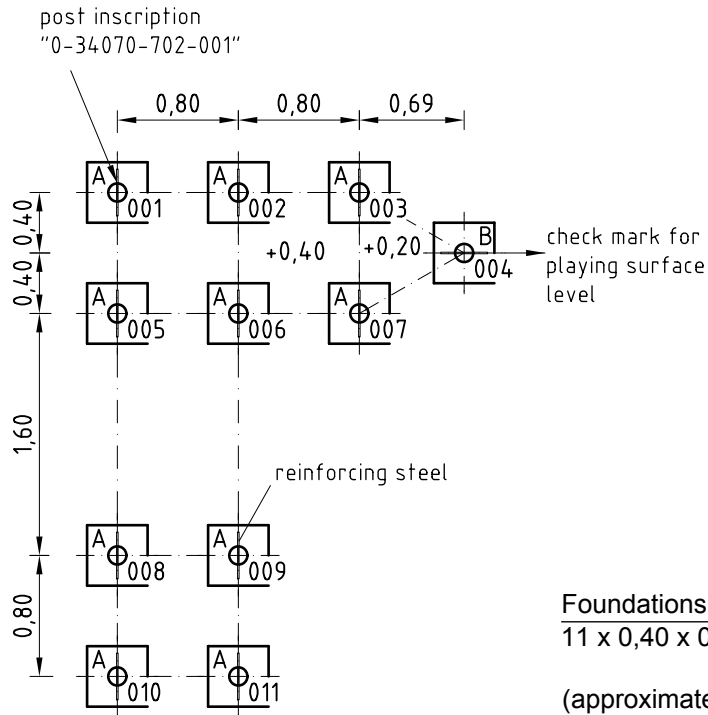
detail of check mark
1:5





*max. free height of fall

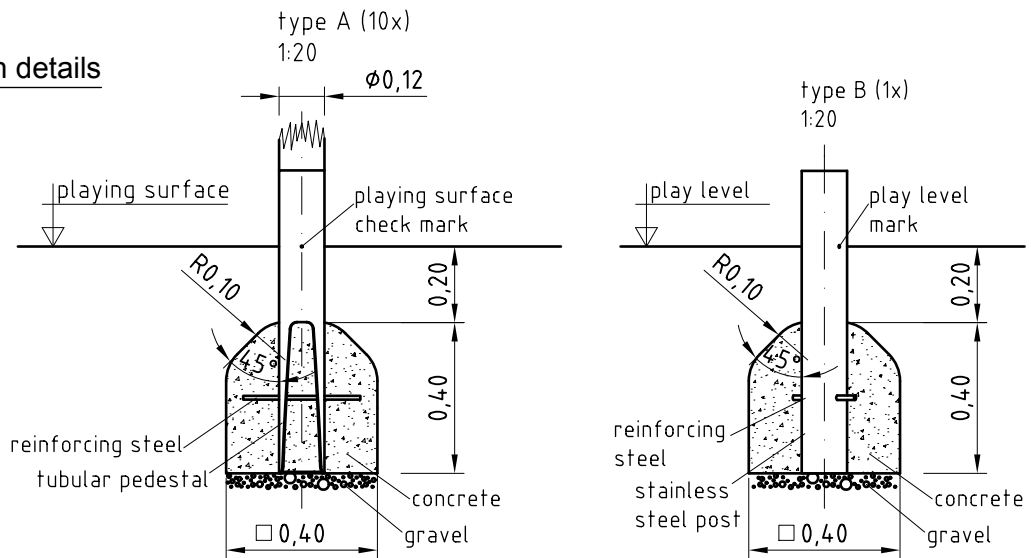
Foundation layout

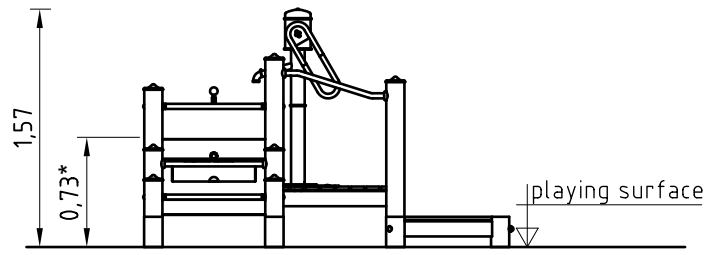


Foundations (on site)
11 x 0,40 x 0,40 x 0,40 m

(approximate) concrete needs
0,71 m³

Foundation details



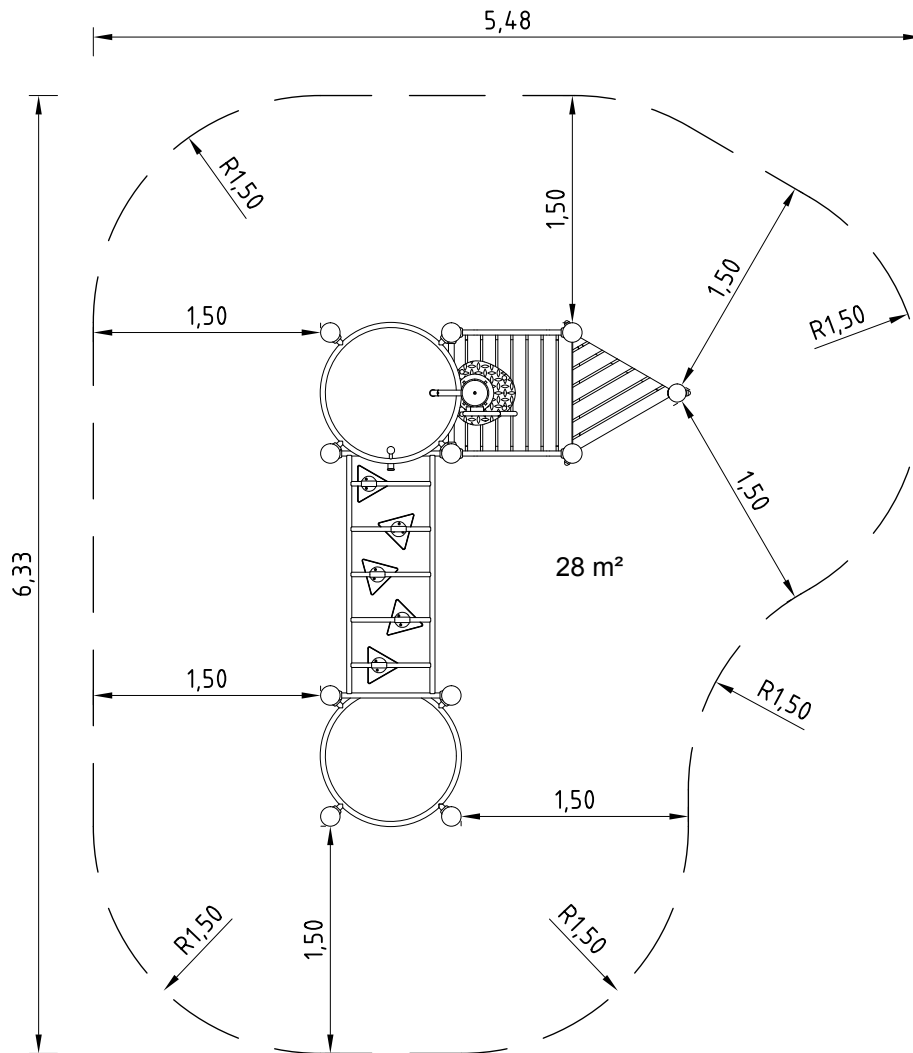


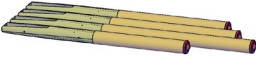

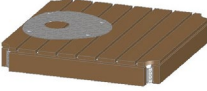



*max. free height of fall



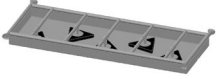

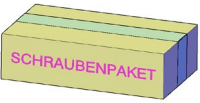
Top view & impact area

Minimum space

6,33 x 5,48 x 1,57 m



Parts list		034070702A	GB
item no.	quantity	description	image
	1	set of 10 pcs. of laminated Robinia posts with stainless steel tubular pedestal with bottom cut-outs and protective stainless steel post cap / with red powder-coating/RAL 2002	
1272086	1	all-purpose steel post 200 mm above play level	
1200083	1	platform 0,80 m x 0,80 m with steel plates	
1200004	1	triangular platform 3 x 0,80 m	
1210359	1	horizontal bar/ladder rung 0,80 m	
1210361	2	stepped handrail 0,80 m x 0,15 m	

<u>Parts list</u>		034070702A	GB
item no.	quantity	description	image
033130001	1	K&K (stainless steel) water pump with handle	
1260074	1	water storage basin / 1 run-off	
1260061	1	water swirl table 0,80 m x 1,60m	
1260038	1	basin with one run-off for terracing installation	
1293323	1	Schraubenpaket 0-34070-702	

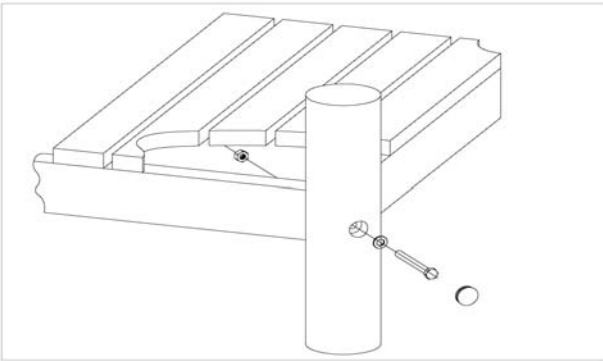
Item: **034070702A**
K&K Water play structure

Order:

1293323

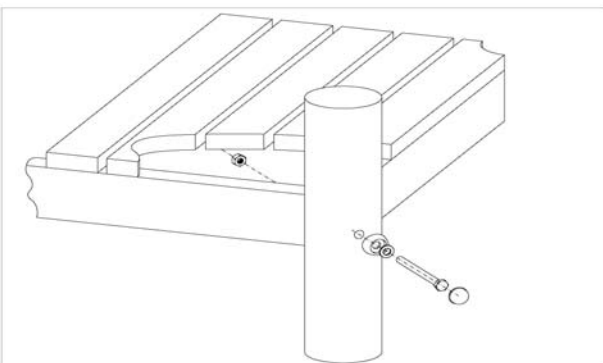
Location: Building Project:

4 x SFRS1200001 Platform at Robinia post, nut is platform-sided



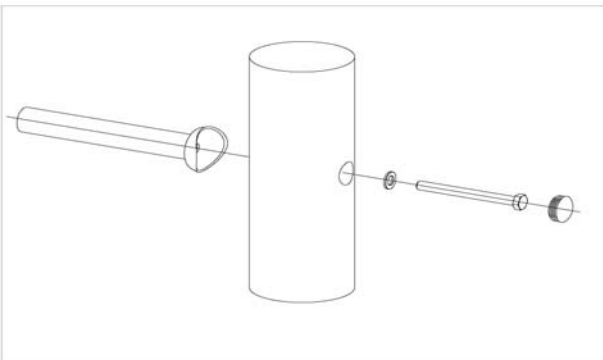
per SC	Total	K&K-Item	Marking
1 x	4 x	3400700	Hexagon head screw M12 x 120 DIN931 A2 with screw security coating/FGB red
1 x	4 x	3300016	Grey domed plastic cover cap SL 36 G
1 x	4 x	3430129	Washer Ø 14 DIN1440 A2
1 x	4 x	3430021	Lock nut M12 DIN985 A2

3 x SFES1200014 Platform at stainless steel post/tubular support (Hexagon screw with red cap/nut platform-site)



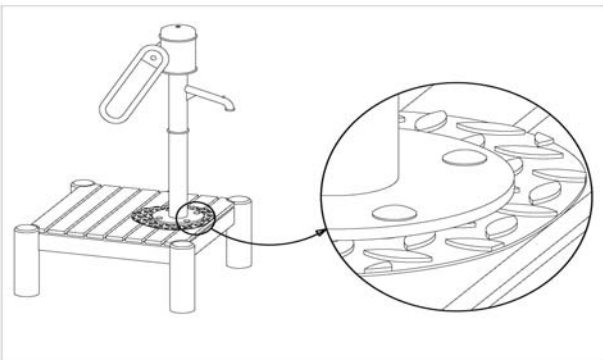
per SC	Total	K&K-Item	Marking
1 x	3 x	3430025	Washer Ø 13 DIN125 A2
1 x	3 x	3300054	red protective screw cap - lower part, domed M12
1 x	3 x	3430021	Lock nut M12 DIN985 A2
1 x	3 x	3300055	red protective screw cap - upper part, domed M12
1 x	3 x	3400363	Hexagon head cap screw M12 x 150 DIN931 A2

18 x SFRS1230004 Standard bolting of climbing poles, ramps etc. to Robinia posts with countersunk holes



per SC	Total	K&K-Item	Marking
1 x	18 x	3300016	Grey domed plastic cover cap SL 36 G
1 x	18 x	3430129	Washer Ø 14 DIN1440 A2
1 x	18 x	3400701	Hexagon head cap screw M12 x 130 DIN931 A2 with screw retention coating/FGB red

1 x SFAS1260001 Water pump onto platform



per SC	Total	K&K-Item	Marking
4 x	4 x	3430051	Hexagon cap nut M12 DIN 986 A2
4 x	4 x	3430025	Washer Ø 13 DIN125 A2
4 x	4 x	3400249	Mushroom head screw M12 x 60 DIN603 A2

Item: **034070702A**
 K&K Water play structure
 Location:

Order:

1293323

Building Project:

10 x SFES1270007 Reinforcing steel for tubular pedestals



per SC	Total	K&K-Item	Marking
1 x	10 x	2130000	Reinforcing steel Ø 10 x 310 DIN 488

1 x SFRS1270002 Reinforcing steel for stainless steel posts



per SC	Total	K&K-Item	Marking
1 x	1 x	2130000	Reinforcing steel Ø 10 x 310 DIN 488

1 x SFWZ0000013 Lubricating metal, twin bag (2 x 4 g)



per SC	Total	K&K-Item	Marking
2 x	2 x	5300024	Metaflux fitting lubricant 2x4 g