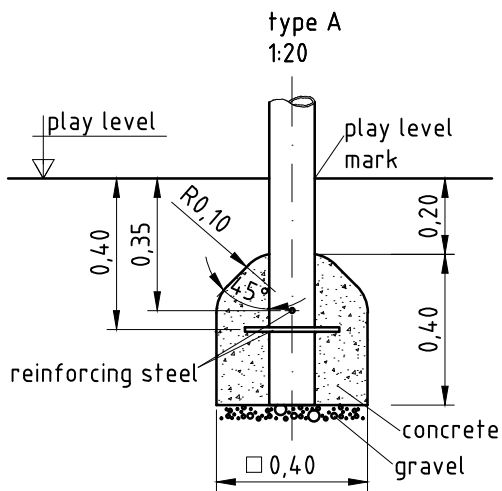
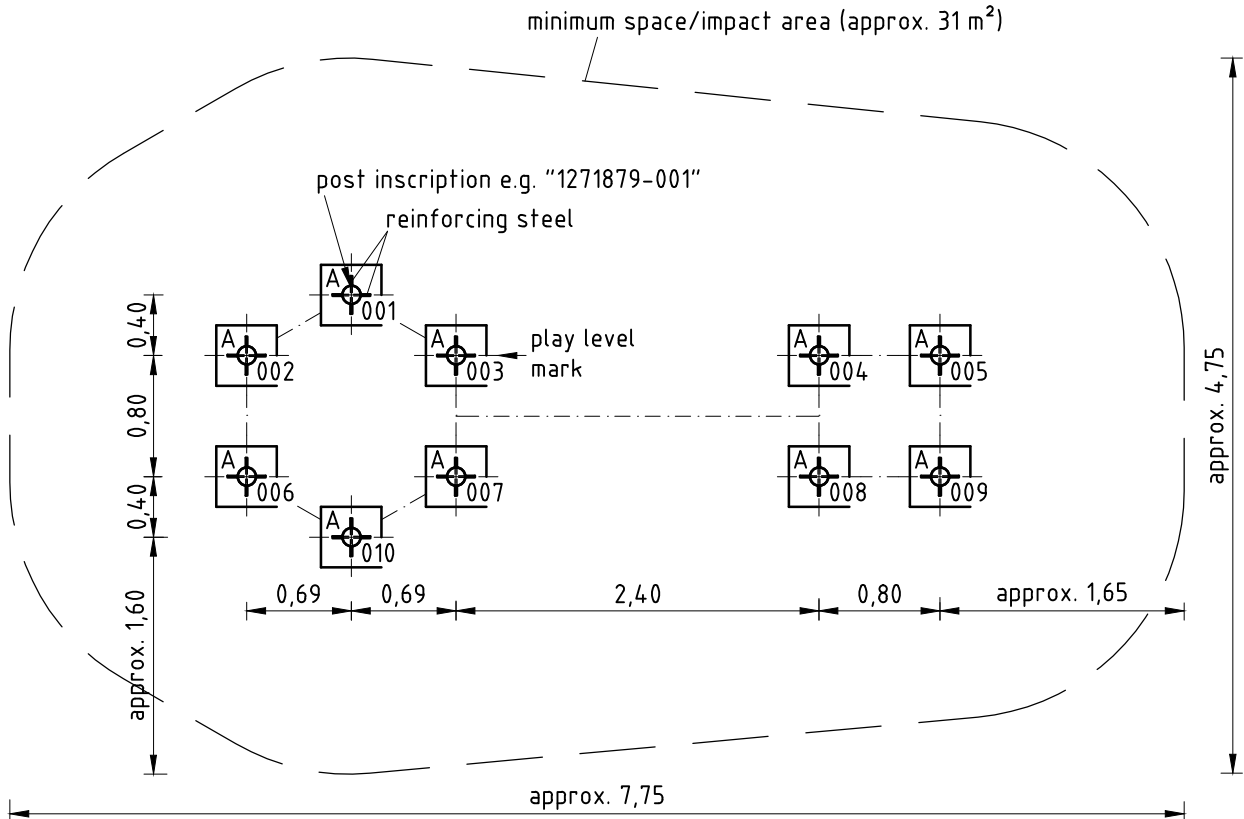
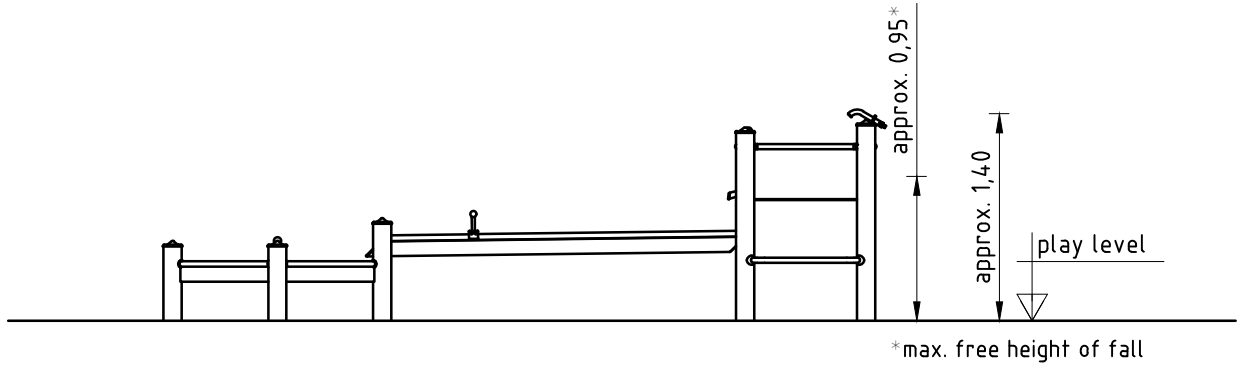


For the gargoyle connection, see separate installation No. 0-33125-000

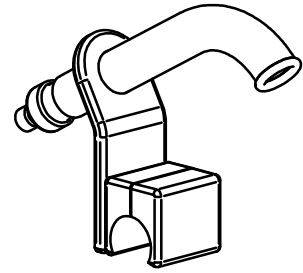
1. Assign a device location considering the space requirements (impact area).
2. Excavate soil for foundations, according to drawing.
Please note: To achieve maximum stability and safe installation, a moderate level of soil solubility is required.
3. Pour in a drain layer of gravel of approx. 10 cm thickness between the bottom of the stainless steel posts and plain base of foundation.
4. Insert reinforcing steel into the corresponding holes of the stainless steel posts.
5. Place posts type A (see foundation layout) according to the corresponding number into the respective foundation hole. Play level mark (=aluminium blind rivet) complies with the installation depth. Align every post by means of the play level mark facing into the same direction (see detail or foundation layout).
6. **For installation of the pre-assembled components and/or single parts, the screws slightly have to be lubricated with installation paste!**
Tighten all screws after having aligned all components.
Screw connections see details in enclosed list of screw connections.
7. Grout foundations with compressed concrete C20/25, chamfer and round off the edges, cover the foundations with a surface which meets the requirements for impact attenuation so that the critical fall height of the surfacing is equal to, or greater than, the free height of fall of the equipment (acc. to EN 1176-1).
8. Release for play after concrete foundations have set.
9. Check all screw connections acc. to maintenance instructions after 4-5 weeks and retighten, if necessary.

Please ensure that all special tools supplied (e.g. Allen key for secured Allen screws etc.) and all specific documents which are or may be useful for safety management acc. to EN 1176-7 (e.g. invoice, delivery note, order acknowledgement, installation instructions, maintenance instructions) are forwarded to the persons responsible.

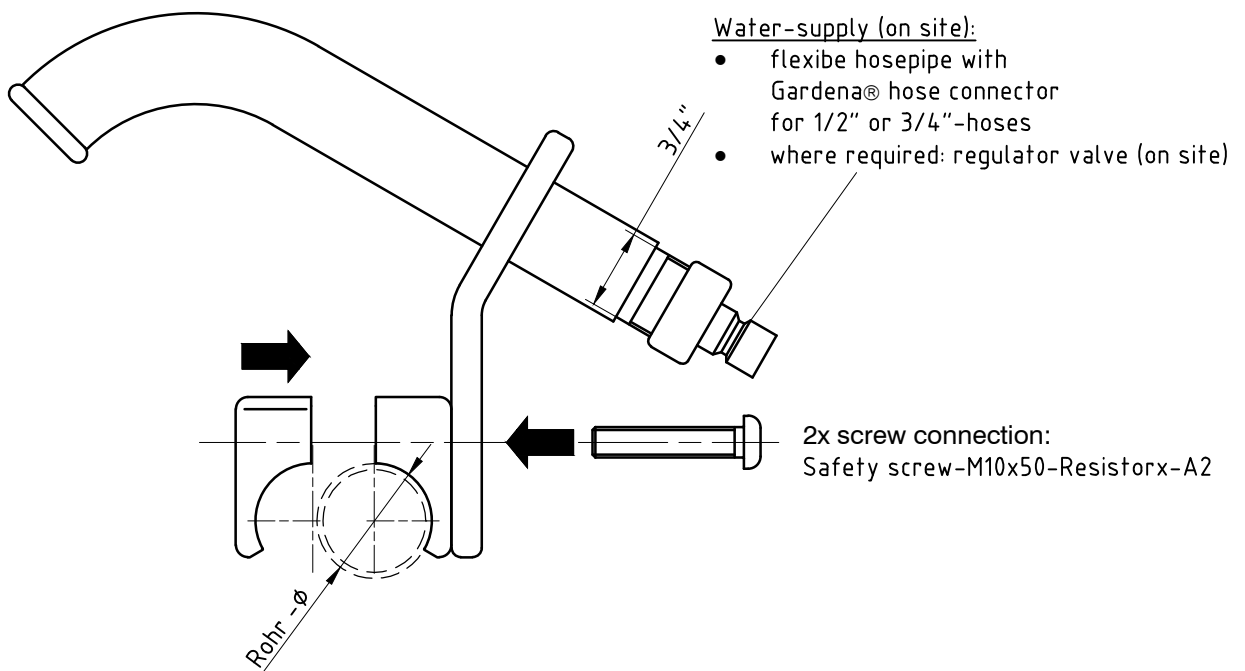
**Necessarily insert all attachment parts before tightening the screws.
It is NOT possible to insert them afterwards.**



1. Attach assembly to pipe or rod $\varnothing 33,7$ mm or 38 mm with clamp-connection (see figure below)
2. Please take care to comply with instructions acc. to EN 1176-1 / 4.2.7 (Protection against entrapment)
Do not create entrapment hazards (unallowable openings) by installation.
3. Check all screw connections according to maintenance instructions after 4-5 weeks and screw down again, if necessary.



Please ensure that all special tools (e.g. special Allen key for secured Allen screws etc.) and all specific documents which are or may be useful for safety management acc. to EN 1176-7 (e.g. invoice, delivery note, order acknowledgement, installation instructions, maintenance instructions) are forwarded to the persons responsible.



Pipe outside-diameter: $\varnothing 33,7$ clamp part K&K-item: 2030322 und 2030325
 $\varnothing 38$ clamp part K&K-item: 2030322 und 2030291

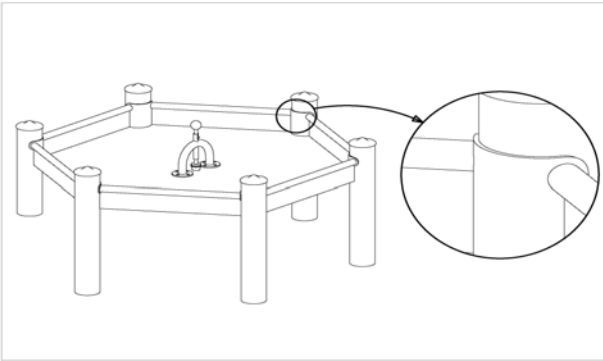
Item: **0-34060-502**
 K&K Wasserspielanlage
 Location:

Order:

1291561

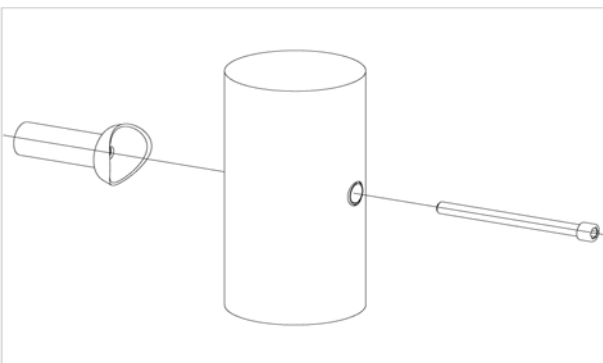
Building Project:

1 x SFES1260001 Maxi-table at stainless steel posts



per SC	Total	K&K-Item	Marking
6 x	6 x	3400622	Dome head security bolt M12 x 25 PinHexagon A2 safety coated thread

12 x SFES1210001 Standard bolting of add-on pieces intended to connect ES120-add-on pieces (except platforms) at support post



per SC	Total	K&K-Item	Marking
1 x	12 x	2030168	Cheese head screw M12x140 with pin Intended to connect ES120-add-on pieces (except platforms) at support post

10 x SFES1270001 Reinforcing steel for stainless steel posts



per SC	Total	K&K-Item	Marking
2 x	20 x	2130000	Reinforcing steel Ø 10 x 310 DIN 488

1 x SFWZ0000005 Allen key security hex socket AF8

per SC	Total	K&K-Item	Marking
1 x	1 x	3490057	Allen key security hex socket AF8



Item: **0-34060-502**
 K&K Wasserspielanlage
 Location:

Order:

1291561

Building Project:

1 x SFWZ000009 Hexagon insert socket driver 10mm 1/2"
 with borehole for Pin



per SC	Total	K&K-Item	Marking
1 x	1 x	2030170	Hexagon insert socket driver 10 mm 1/2" with drill hole for Pin

1 x SFWZ000014 Lubricating metal, bag (4g)



per SC	Total	K&K-Item	Marking
1 x	1 x	5300024	lubricating metal 4g