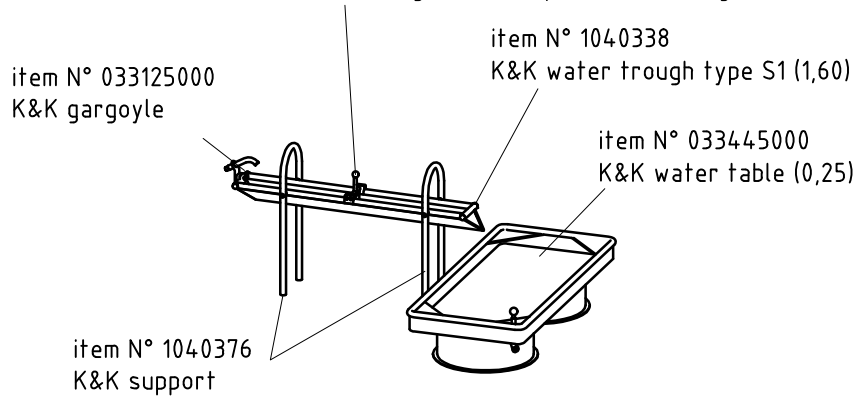
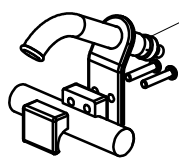


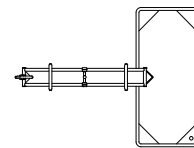
Please note the pre-assembled retaining flap. In case of displacement, keep a minimum distance of 230 mm to the support, otherwise, the requirements of standard for playground equipment concerning head entrapment will no longer be met.



detail "Z"

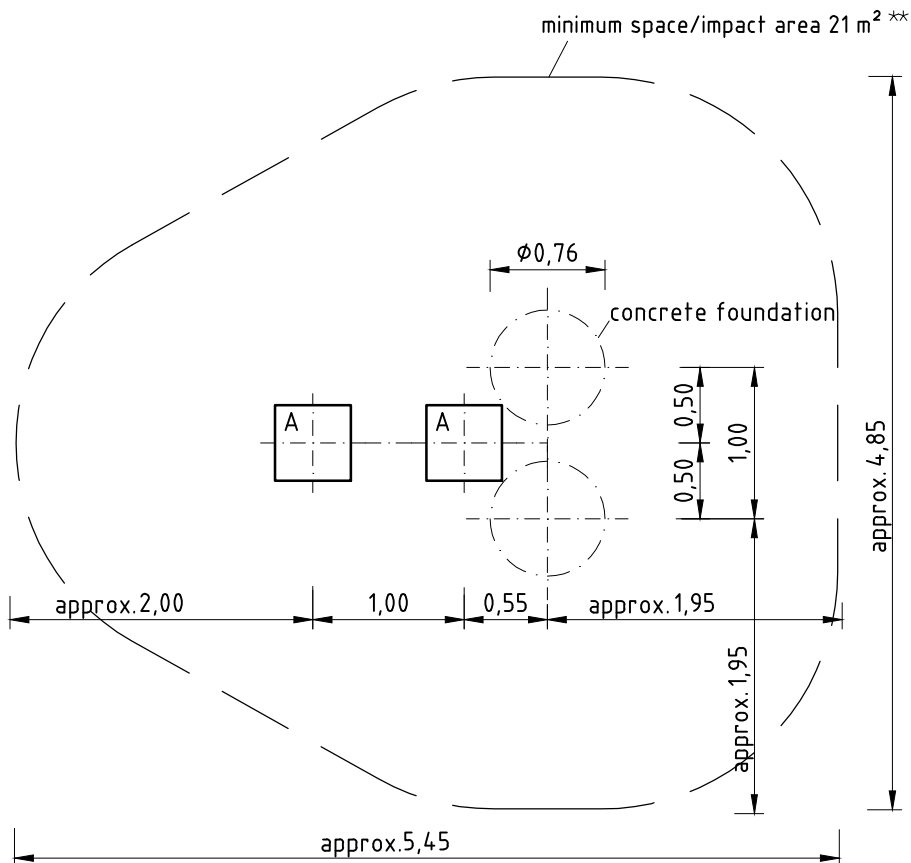
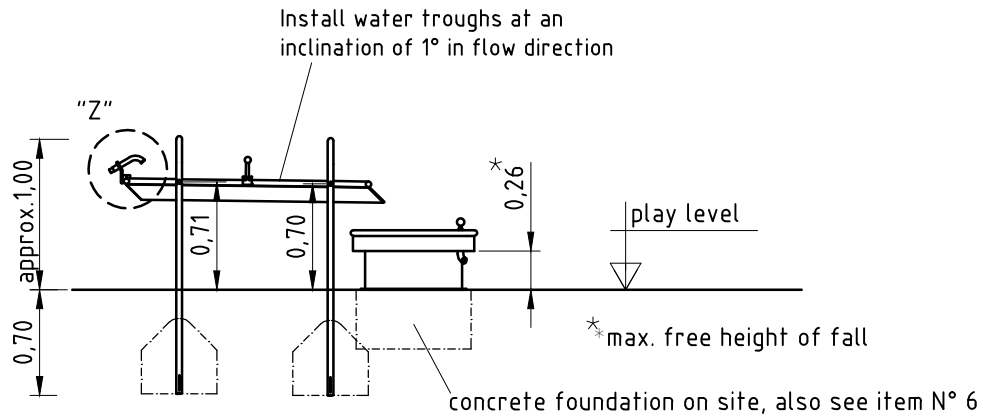


hosepipe fitting (e.g. Gardena® or similar type - sizes 1/2" respectively 3/4")

top view
scale 1:100

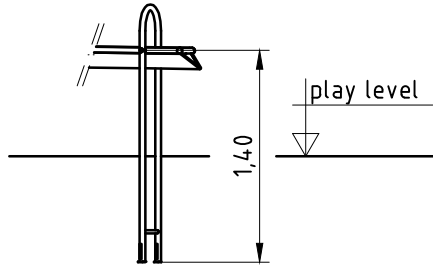
1. Assign a location for the equipment considering the (minimum) space requirements/impact area.
2. Excavate soil for foundations, according to drawing. Please note: To achieve maximum stability and a safe installation, a moderate level of soil solubility is required.
3. **For installation of the pre-assembled components and/or single parts, the screws slightly have to be lubricated with installation paste!**
4. **Tighten all screws after having aligned all components.**
Screw connections see details on attached list.
5. Foundations for water trough:
Grout foundations with compressed concrete C20/25, chamfer and round off the edges, cover the foundations with surfacing material which meets the requirements for impact attenuation so that its critical fall height is equal to or greater than the maximum free height of fall of the equipment (acc. to EN 1176-1).
6. Foundations for water table:
For a stable installation, it is necessary to build up additional (e.g.) ring-shaped foundations on site (alternatively: pre-fabricated ring foundations by K&K, item N° 15165). The size (esp. depth) depends on the local soil conditions. Connect the ring flanges of the water table to the foundations on site by using the delivered stone bolts, dowels or brick up with a cement joint.
7. Release for play after concrete foundations have set.
8. Check all screw connections acc. to maintenance instructions after 4-5 weeks and retighten, if necessary.
9. Please take care that all special tools (e.g. Allen key for secured Allen screws etc.) and all specific documents which are or may be useful for safety management acc. to EN 1176-7 (e.g. invoice, delivery note, order acknowledgement, installation instructions, maintenance instructions) are forwarded to the responsible persons.

**Necessarily insert all attachment parts before tightening the screws.
It is NOT possible to insert them afterwards.**

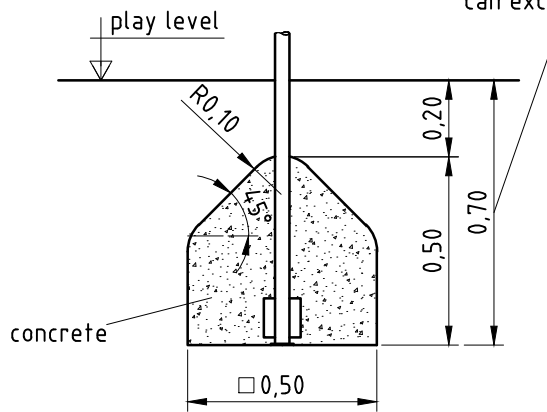


** minimum space dimensions only apply to the arrangement of the water play elements represented. With a modified arrangement (e.g. by dislocating or adding further elements), the impact area must be readapted.

length of water trough supports



Minimum installation depth.
Depending on the trough height
required, the foundation depth
can exceed 0,70 m.



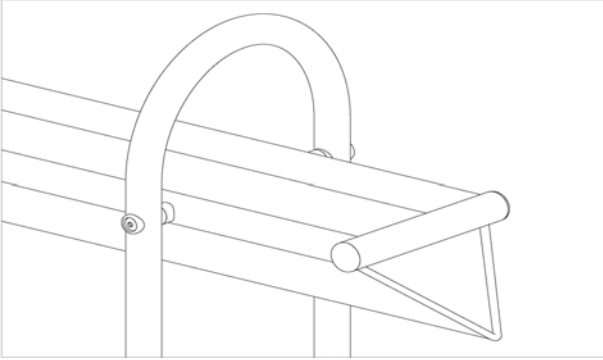
Item: **0-34036-000**
K&K Water play structure

Order:

1296217

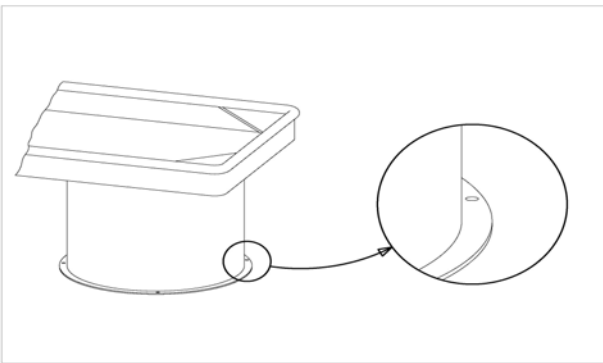
Location: Building Project:

2 x SFAS1040006 Water trough (S) at support



per SC	Total	K&K-Item	Marking
2 x	4 x	3400286	Dome head security bolt M10x50 Resistorx A2

8 x SFAS1040011 Tighten cylinder base plate on concrete foundation with stone bolt



per SC	Total	K&K-Item	Marking
1 x	8 x	1040272	Fastening set water play equipment M10x160 A2 stone bolt/washer/nuts

1 x SFWZ0000002 Security TORX wrench TR45



per SC	Total	K&K-Item	Marking
1 x	1 x	3490033	Security TORX wrench TR45

1 x SFWZ0000014 Lubricating metal, bag (4g)



per SC	Total	K&K-Item	Marking
1 x	1 x	5300024	lubricating metal 4g