

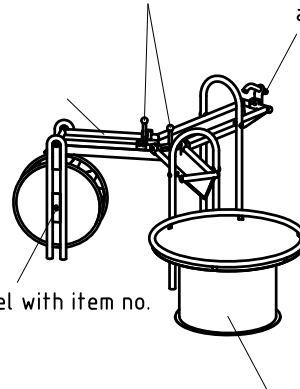
item no. 1040410 (2x)
 flap, preassembled at Y-trough
 Keep a minimum distance of 230 mm to the support,
 otherwise, the requirements of standard for playground
 equipment EN 1176-1 concerning head entrapment will no
 longer be met.

item no. 0-33125-000 gargoyles
 suitable for water hose connection (1/2" resp.
 3/4") with hose connection (e.g. Gardena® or
 anything comparable)

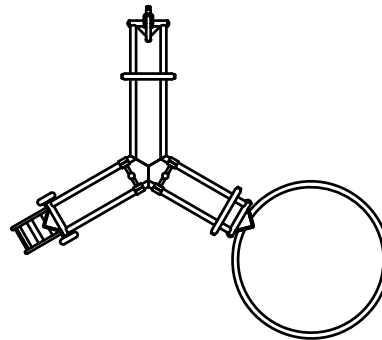
item no. 1040706
 Y-trough type S2

item no. 1040010
 preassembled water wheel with item no.
 1040390
 support for water wheel

item no. 0-33451-000
 mixing plate (0,50)

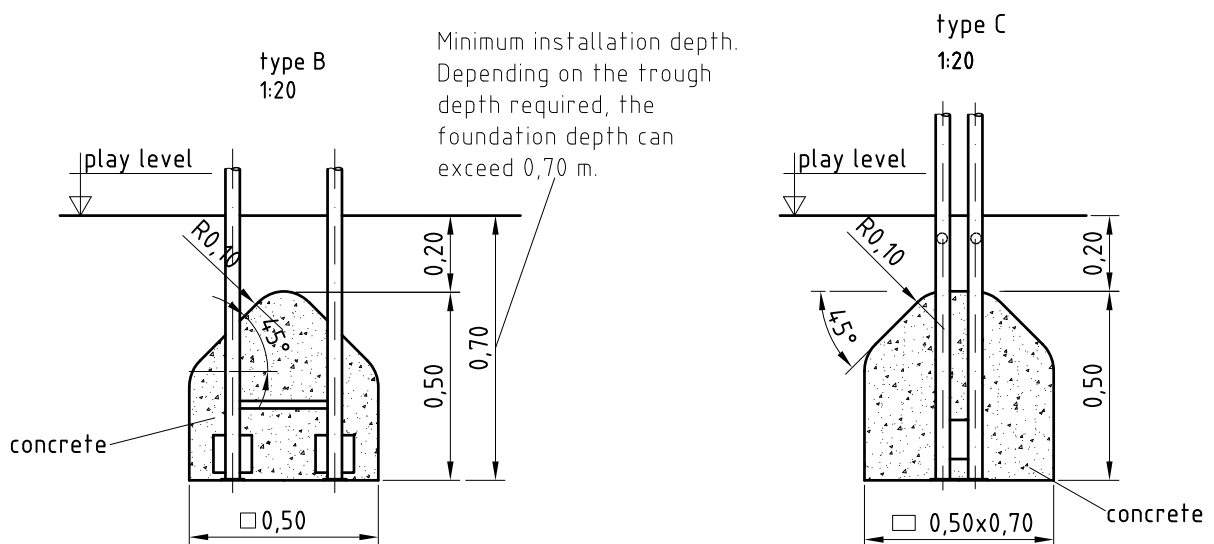
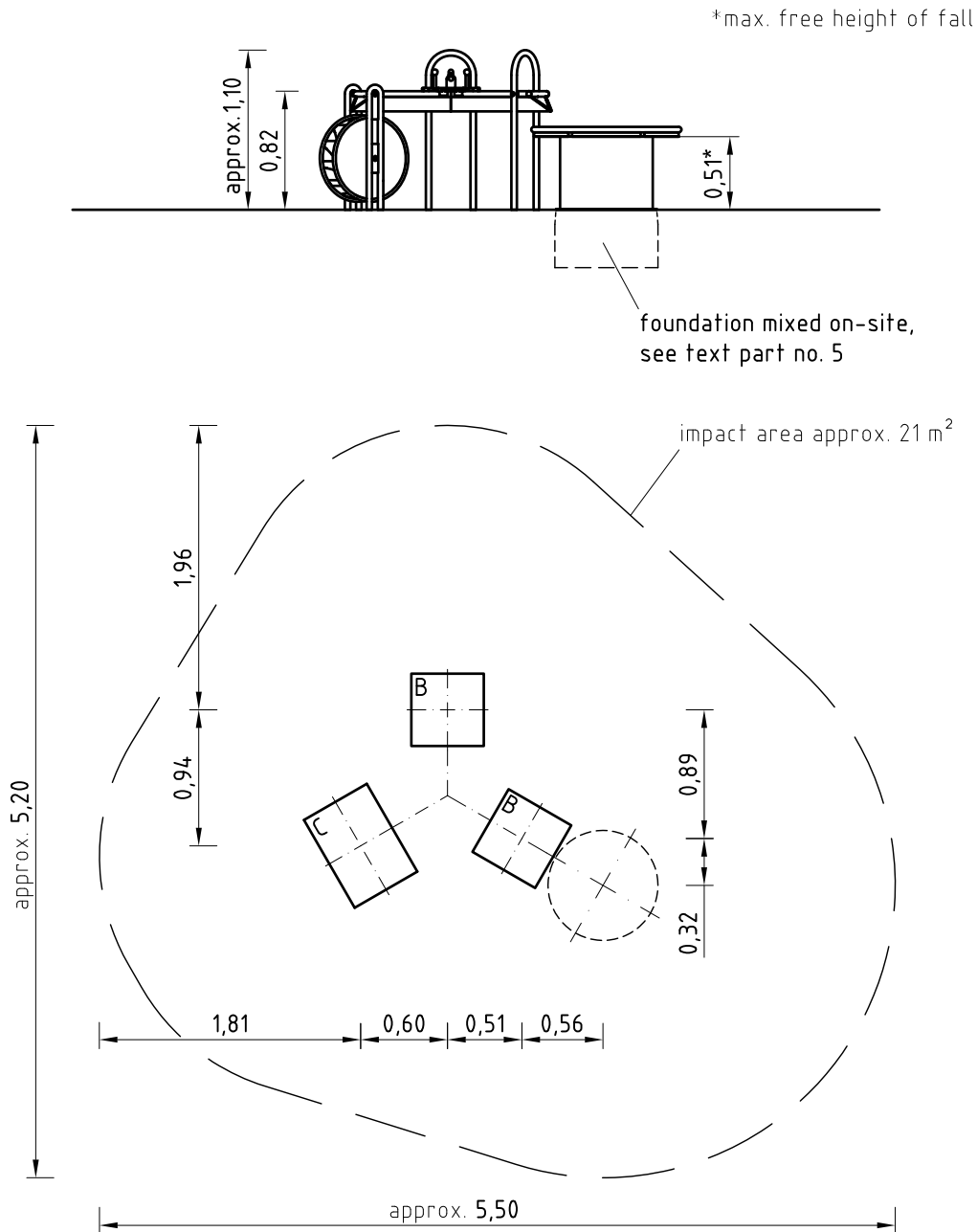


top view 1:100



1. Assign location of equipment considering the space requirements (minimum space/impact area).
2. Excavate soil for foundations, according to drawing. Please note: To achieve maximum stability and safe installation, a moderate level of soil solubility is indispensable.
3. **For installation of the pre-assembled components and/or single parts, the screws slightly have to be lubricated with installation paste!**
Screw connections see details in attached list.
4. Foundation water trough/water wheel:
 Grout foundations with compressed concrete C20/25, chamfer and round off the edges, cover the foundations with a surface which meets the requirements for impact attenuation so that the critical fall height of the surfacing is equal to, or greater than, the free height of fall of the equipment (acc. to EN 1176-1)
5. Foundation mixing plate:
 To achieve maximum stability of the mixing plate, it might be necessary to build up an additional circular or ring-shaped foundation on site (alternatively: K&K ring foundation/formblock, item-no. 15165/ 15170). The dimension (especially depth) depends on the local soil conditions. Connect the flange of mixing plate to the foundation on site by using dowels or delivered stone bolts.
6. Release for play after concrete foundations have set.
7. Check all screw connections acc. to maintenance instructions after 4-5 weeks and retighten, if necessary.

Please ensure that all special tools supplied (e.g. Allen key for Allen screws etc.) and all specific documents which are or may be useful for safety management acc. to EN 1176-7 (e.g. invoice, delivery note, order acknowledgement, installation instructions, maintenance instructions) are forwarded to the persons responsible.



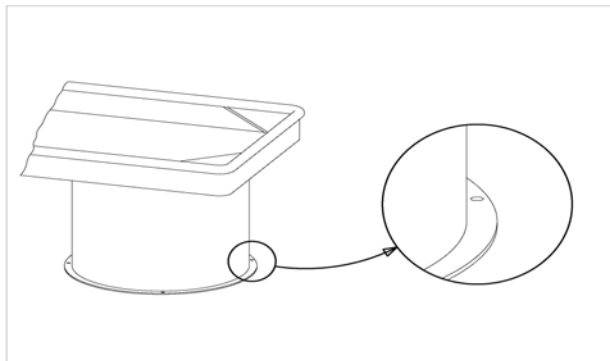
Item: **0-34034-001**
 K&K Water play structure
 Location:

Order:

1297835

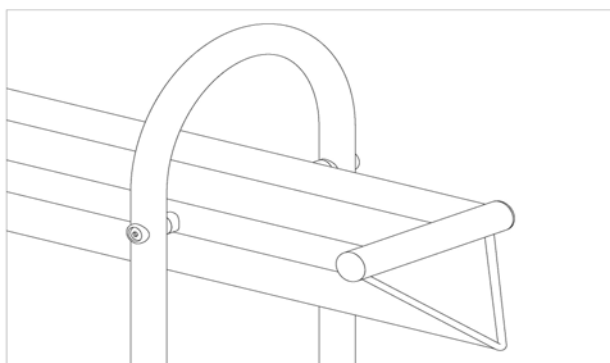
Building Project:

4 x SFAS1040011 Tighten cylinder base plate on concrete foundation with stone bolt



per SC	Total	K&K-Item	Marking
1 x	4 x	1040272	Fastening set water play equipment M10x160 A2 stone bolt/washer/nuts

2 x SFAS1040006 Water trough (S) at support



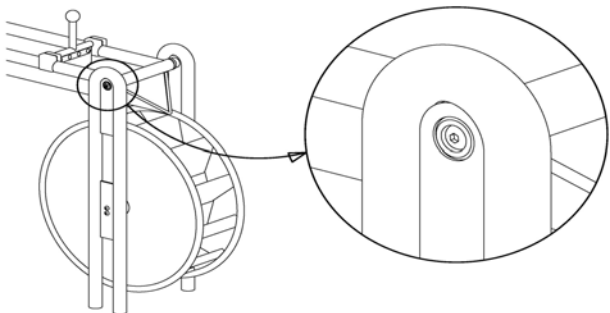
per SC	Total	K&K-Item	Marking
2 x	4 x	3400286	Dome head security bolt M10x50 Resistorx A2

1 x SFWZ0000002 Security TORX wrench TR45



per SC	Total	K&K-Item	Marking
1 x	1 x	3490033	Security TORX wrench TR45

1 x SFAS1040013 Water trough (S) to support of water wheel



per SC	Total	K&K-Item	Marking
2 x	2 x	3400195	Dome head security bolt M10x30 Resistorx A2

Item: **0-34034-001**
K&K Water play structure

Order:

1297835

Location:

Building Project:

1 x SFWZ0000014 Lubricating metal, bag (4g)

per SC	Total	K&K-Item	Marking
1 x	1 x	5300024	Metaflux fitting lubricant 2x4 gr.

