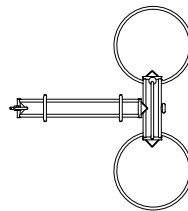


top view
1:100



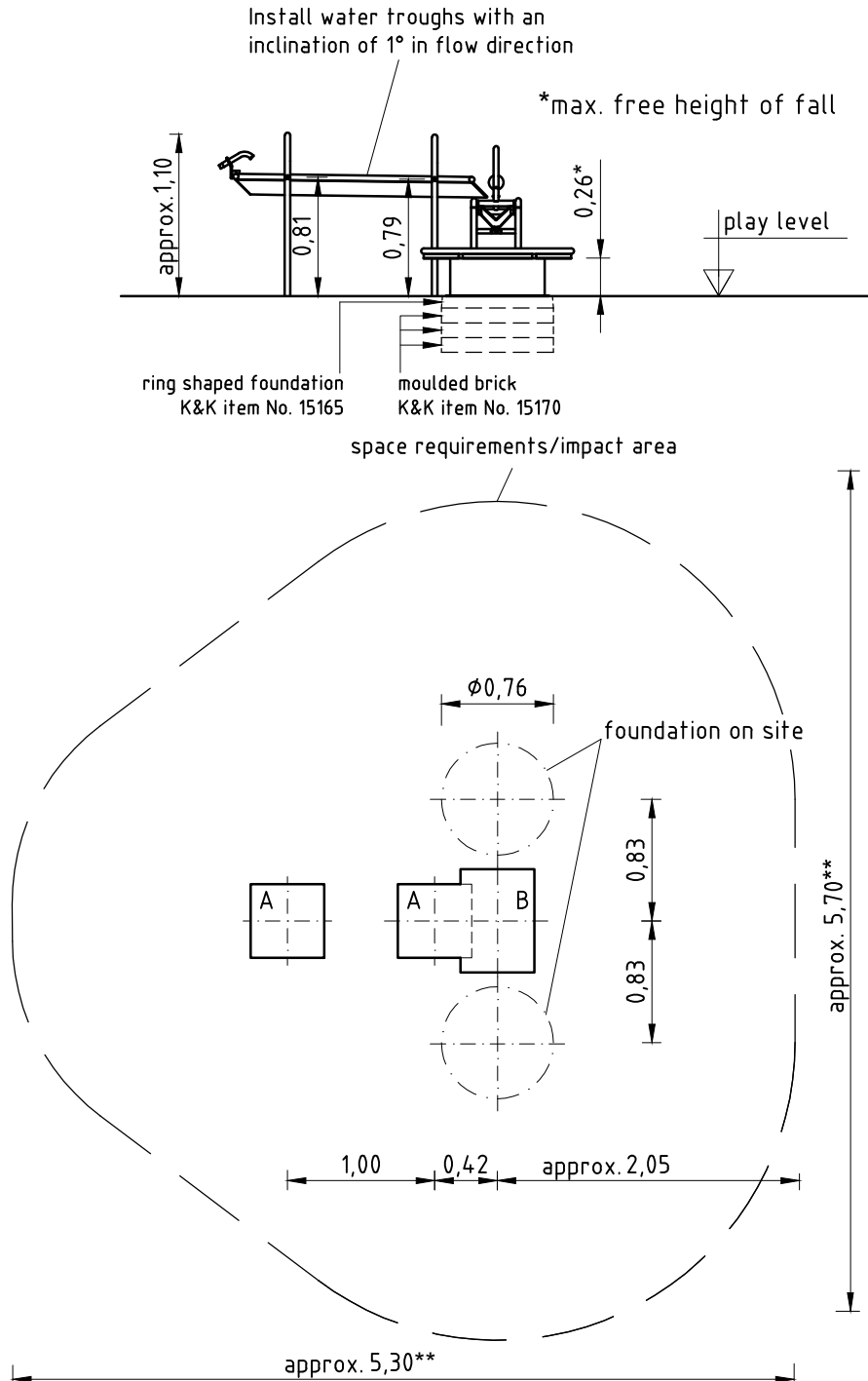
For the gargoyle connection, see separate installation No. 0-33125-000

1. Assign a location for the equipment considering the (minimum) space requirements/impact area.
2. Excavate soil for foundations, according to drawing. Please note: To achieve maximum stability and a safe installation, a moderate level of soil solubility is required.
3. **For installation of the pre-assembled components and/or single parts, the screws slightly have to lubricated with installation paste!**
Tighten all screws after having aligned all components.
Screw connections see details on attached list.
4. Grout foundations with compressed concrete C20/25, chamfer and round off the edges, cover the foundation surfacing material which meets the requirements for impact attenuation so that its critical fall height is equal or greater than the maximum free height of fall of the equipment (acc. to EN 1176-1).
5. Release for play after concrete foundations have set.
6. Check all screw connections acc. to maintenance instructions after 4-5 weeks and retighten, if necessary.

Please take care that all special tools (e.g. Allen key for secured Allen screws etc.) and all specific documents which are or may be useful for safety management acc. to EN 1176-7 (e.g. invoice, delivery note, order acknowledgement, installation instructions, maintenance instructions) are forwarded to the responsible persons.

**Necessarily insert all attachment parts before tightening the screws.
It is NOT possible to insert them afterwards.**

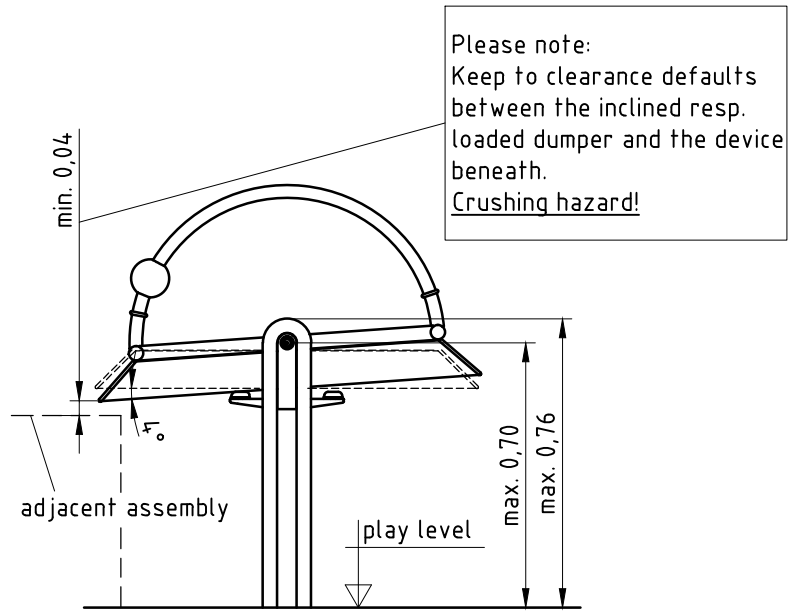
For a safe and static installation of the mixing plate, an additional (ring shape) site-mixed concrete foundation is necessary. The size (especially the depth) depends on the soil conditions on site. On request, a corresponding ring foundation and additional moulded bricks are available with delivery. The mixing plate flange can either be connected to the foundation by using stone bolts or concrete dowels or simply by bricking up with a mortar joint.



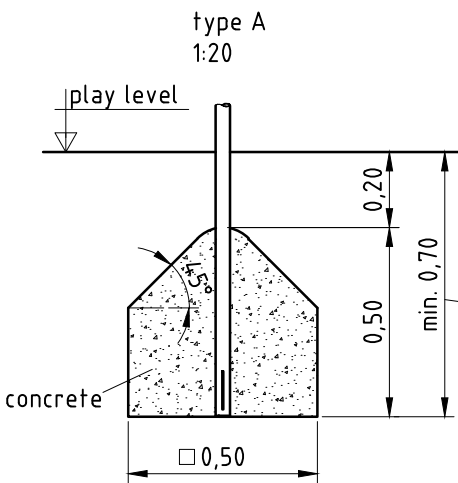
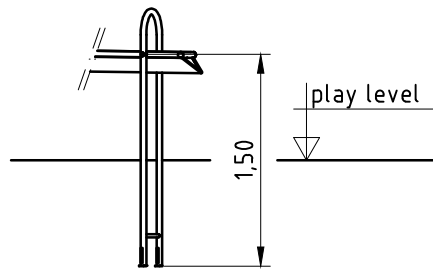
** minimum space/impact area (approx. 21 m²)
Its size only applies to the arrangement of the water play elements represented. With a modified arrangement, the impact area must be readapted.

Installation

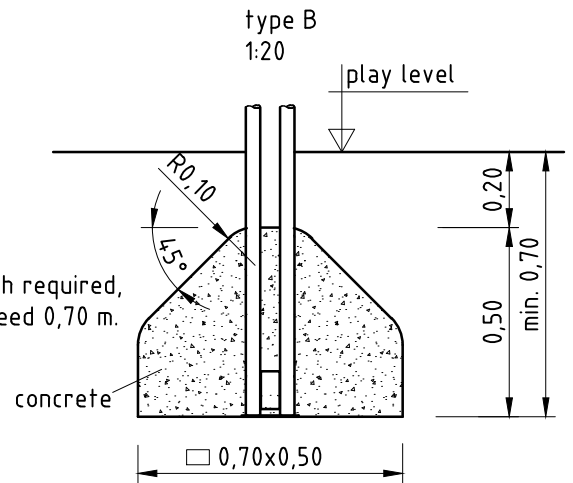
Item-No.	Description	Scale	Date	Page
0-34030-000	K&K Water play structure	1:50	04/14 EB	2/3



length of the steel supports



Minimum installation depth.
Depending on the trough depth required,
the foundation depth can exceed 0,70 m.



Installation

Item-No.	Description	Scale	Date	Page
0-34030-000	K&K Water play structure	1:50	04/14 EB	3/3

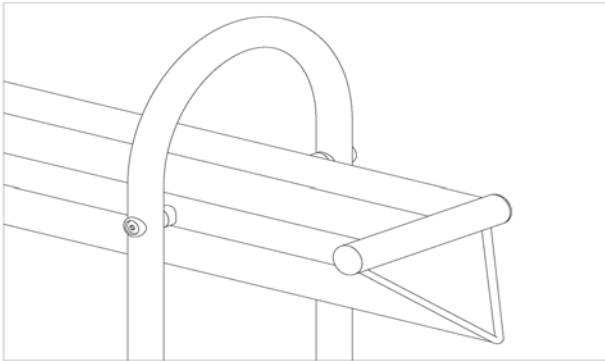
Item: **0-34030-000**
 K&K Water play structure
 Location:

Order:

1294312

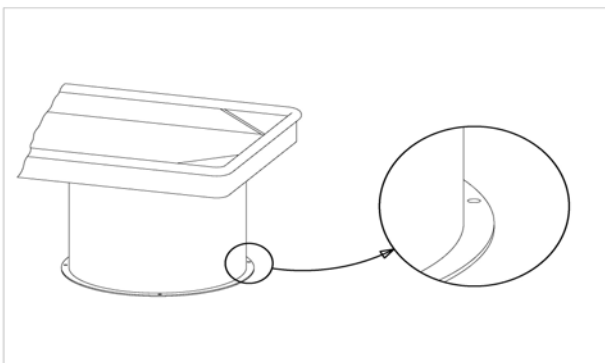
Building Project:

2 x SFAS1040006 Water trough (S) at support



per SC	Total	K&K-Item	Marking
2 x	4 x	3400286	Dome head security bolt M10x50 Resistorx A2

8 x SFAS1040011 Tighten cylinder base plate on concrete foundation with stone bolt



per SC	Total	K&K-Item	Marking
1 x	8 x	1040272	Fastening set water play equipment M10x160 A2 stone bolt/washer/nuts

1 x SFWZ0000002 Security TORX wrench TR45



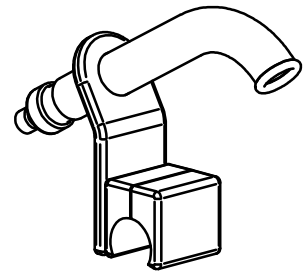
per SC	Total	K&K-Item	Marking
1 x	1 x	3490033	Security TORX wrench TR45

1 x SFWZ0000013 Lubricating metal, twin bag (2 x 4 g)

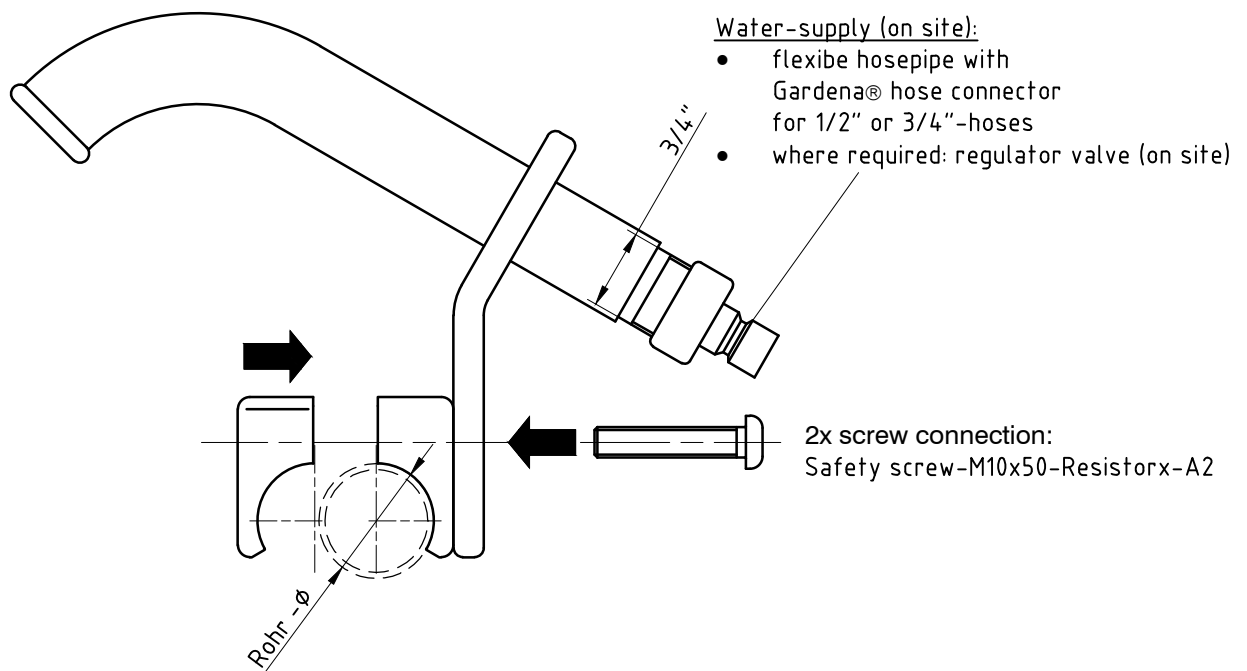


per SC	Total	K&K-Item	Marking
2 x	2 x	5300024	lubricating metal 4g

1. Attach assembly to pipe or rod $\varnothing 33,7$ mm or 38 mm with clamp-connection (see figure below)
2. Please take care to comply with instructions acc. to EN 1176-1 / 4.2.7 (Protection against entrapment)
Do not create entrapment hazards (unallowable openings) by installation.
3. Check all screw connections according to maintenance instructions after 4-5 weeks and screw down again, if necessary.



Please ensure that all special tools (e.g. special Allen key for secured Allen screws etc.) and all specific documents which are or may be useful for safety management acc. to EN 1176-7 (e.g. invoice, delivery note, order acknowledgement, installation instructions, maintenance instructions) are forwarded to the persons responsible.



Pipe outside-diameter: $\varnothing 33,7$ clamp part K&K-item: 2030322 und 2030325
 $\varnothing 38$ clamp part K&K-item: 2030322 und 2030291