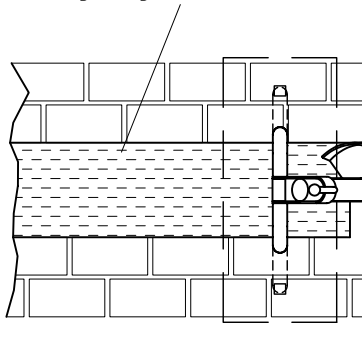
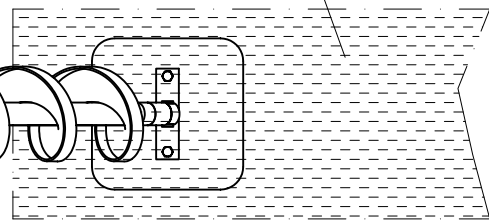


paved trough (e.g. cobblestone)



water reservoir (e.g. pond, basin, ditch etc.)



1. Assign location of equipment considering the space requirement (impact area).
2. The maximum free height of fall of this depicted arrangement is lower 0,60 m. If this arrangement is modified (e.g. by moving units or adding other elements) the space requirement (and if necessary the area with impact attenuating surface acc. to EN 1176-1) has to be modulated.
3. Excavate soil for foundations, according to drawing. Please note: To achieve a maximum of stability and a safe installation a normal level of soil solubility is required.
- 4. Attention! For installation of the pre-assembled components and/or single parts the screws have to be lubricated with installation paste! Tighten all screws after having aligned all components.**
5. Grout in foundations with compressed concrete C20/25 and cover with soil.
6. Release for play after concrete foundations have set.
7. Check all screw connections acc. to maintenance instructions and screw down again if necessary.
8. Please take care that all special tools (e.g. special Allen key for secured Allen screws etc.) and all specific documents which are or may be useful for safety management acc. to EN 1176-7 (e.g. invoice, delivery note, order acknowledgement, installation instructions, maintenance instructions) are forwarded to the responsible persons.