

## **The summer is over...**

and with the onset of the cooler season comes the time at which you should protect your K&K water pump (usually in combination with the K&K valve combination) from frost damage.

If the temperatures fall below zero for the first time in late autumn, you should have already prepared your K&K water pump for wintering and carefully drained the water supply line with the usually used K&K valve combination in order to be able to put a perfectly functioning water pump back into operation in the following spring, after the frost period.

We would like to briefly show you here how you can do this simply and safely:

### **Avoidance of frost damage to the K&K water pump**

Due to the danger of destruction by frost, the pump head of the K&K water pump must be dismantled and stored during the winter season or before temperatures below 4° C occur.

Otherwise, or by means of chaining the handle, the company Kaiser&Kühne Freizeitgeräte GmbH will not accept any responsibility for a damage caused hereby.

### **Avoidance of frost damage to the K&K valve combination**

Due to the danger of destruction by frost, preparations must be taken to avoid frost damage during the winter months or before temperatures below 4° C occur.

If the K&K valve combination is installed in an area that is not frost-proof, the valve combination must also be dismantled, drained and stored.

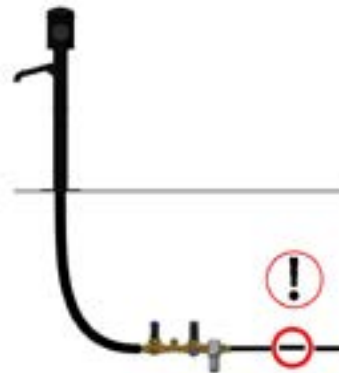
Otherwise the drainage of the valve combination and the line is sufficient.

Winter season handling / drainage of the K&K valve combination

- Keep at hand supplied winter cover accessory.



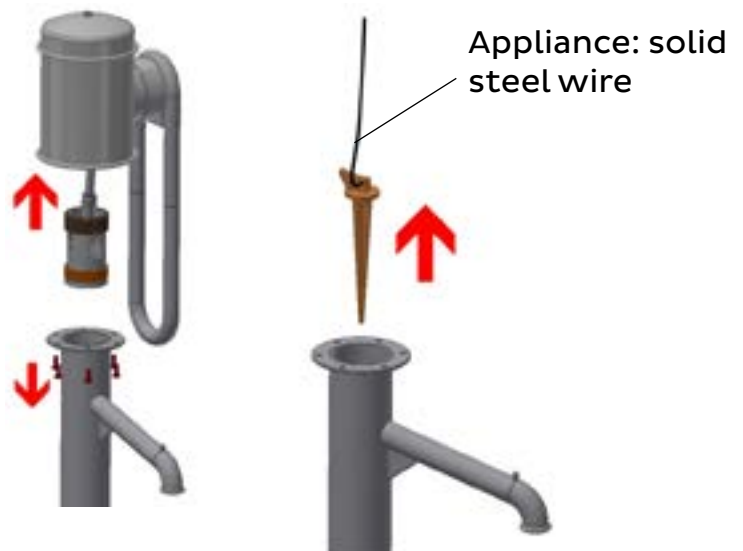
- Shut off water supply up to valve combination.



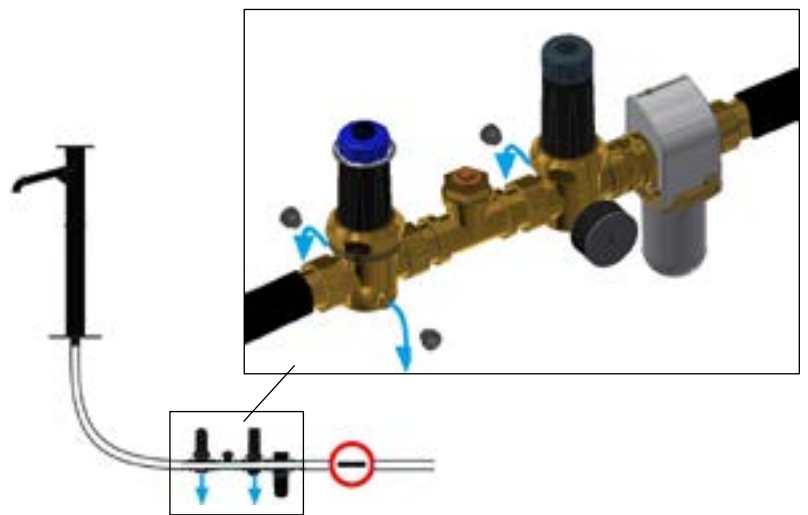
- Remove black plastic plugs from the K&K valve combination (= a total of 3) or, where appropriate, uninstall K&K valve combination entirely.



- Unscrew pump head and take it off.
- The inner holding valve is visible in pump column after taking off the head.
- Lift off inner holding valve from its seat. Optionally use a steel wire as appropriate appliance.



- The remaining water between pump and valve combination pours out of the outlets opened before.



- As soon as the pipe is completely empty: Insert the black plastic plugs again.
- Reinsert the inner holding valve into its seat.



- Fasten the supplied winter cover plate on top of the pump column.
- Store the pump head and where appropriate, store the valve combination.



**Restart of the K&K waterpump and the K&K valve combination after the frost period**

- If the leather cup at the bottom of the piston has hardened during storage soak it in water for 24 hours before reinstallation.



- Unscrew and remove winter plate from water pump column.



- Where appropriate, reinstall the K&K valve combination.

- Set pump head onto water pump column and fix screws.
- Restart pump operation.

