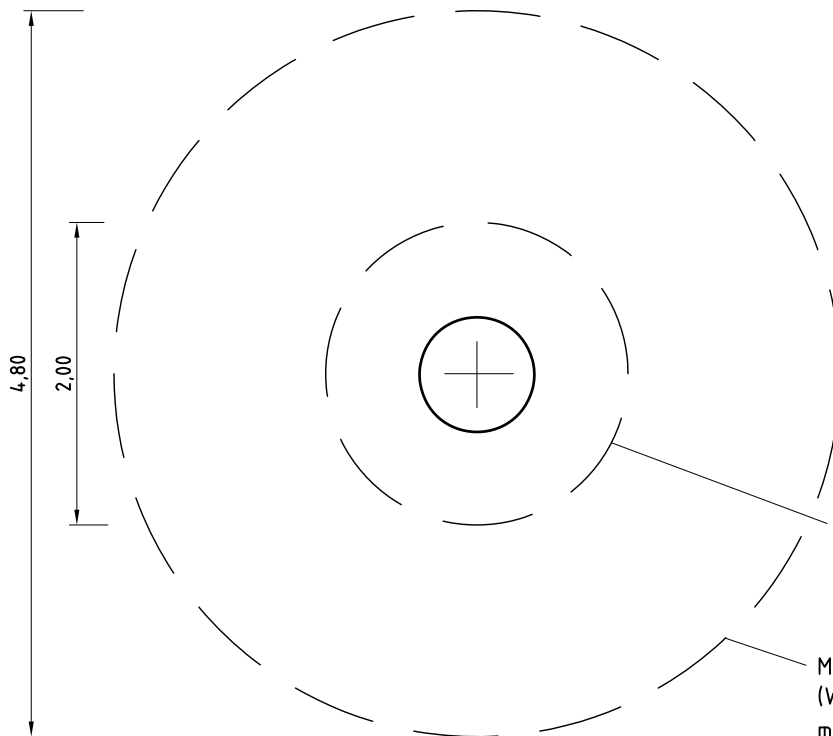


free height of fall=0,50 m



play space/area to be filled with sand, approx. 3,5 m<sup>2</sup>

Minimum space approx. 18 m<sup>2</sup>  
(With the digger shovel fully extended, a minimum space of approx. 18m<sup>2</sup> is essential to ensure a safety area of 1,50m.)

1. Assign location for equipment considering the space requirement (impact area).
2. Provide a plane surface for the prefabricated foundation.
3. Establish the pre-assembled digger.
4. Please ensure that all special tools (e.g. special Allen key for secured Allen screws etc.) and all specific documents which are or may be useful for safety management acc. to EN 1176-7 (e.g. invoice, delivery note, order acknowledgement, installation instructions, maintenance instructions) are forwarded to the persons responsible.