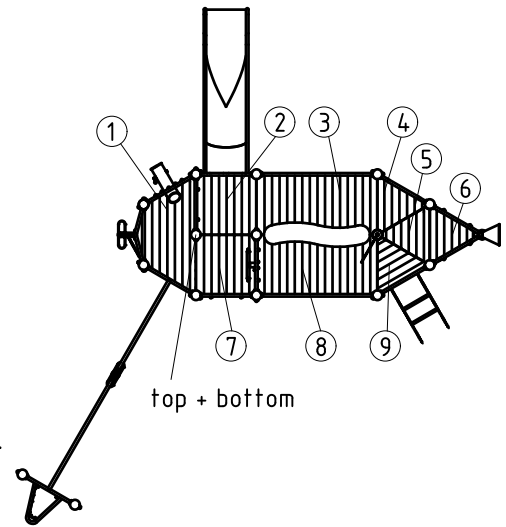


First mount counter/seat, afterwards mount platforms.

platform alignment/fastening scale 1:100

1. Assign a device location considering the space requirements (impact area). Slide direction recommended: north-east or in half-shade of trees.
2. Excavate soil for foundations, according to drawing. Please note: To achieve maximum stability and a safe installation, a moderate level of soil solubility is required.
3. Pour in a drain layer of gravel of approx. 10 cm thickness between the bottom of the tubular pedestals and plain base of foundation.
4. Place posts type A (see foundation layout) according to the corresponding number into the respective foundation hole. Play level mark (=aluminium blind rivet) complies with the installation depth. Align every post by means of the play level mark facing into the same direction (see detail or foundation layout).
5. **For installation of the pre-assembled components and/or single parts, the screws slightly have to be lubricated with installation paste!** Screw together platforms and posts by using the respective hole in the mounting bracket (according to chart).



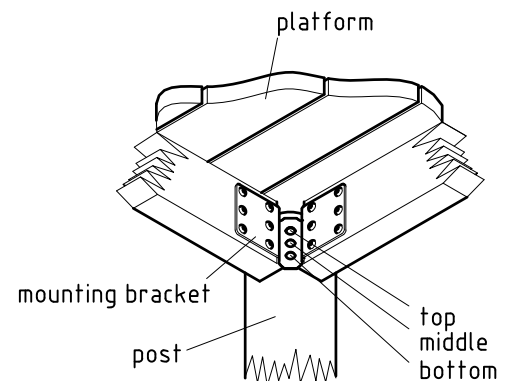
top + bottom

chart for platform fastenings

post No.	fastening hole		
	top	middle	bottom
1	x		
2	x		
3	x		
4	x		
5	x		
6		x	
7			x
8			x
9			x

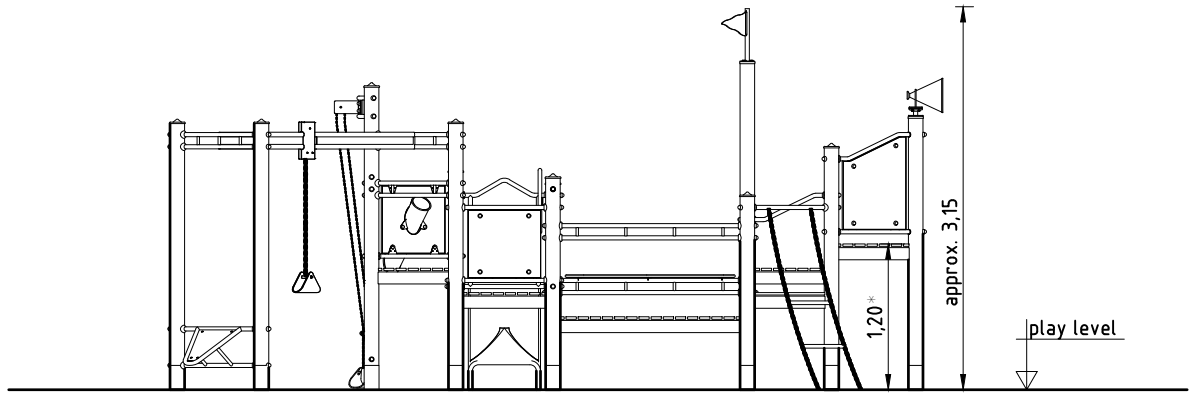
- Tighten all screws after having aligned all components.**
 Install the slide exit with an inclination of 5° in sliding direction.
Screw connections see details in list of screw cases attached.
 We recommend not to insert the protection caps enclosed before first maintenance as they are only suitable for one-time use (see description in item No. 8).
6. Grout foundations with compressed concrete C20/25, chamfer and round off the edges, cover the foundations with a surface which meets the requirements for impact attenuation so that the critical fall height of the surfacing shall be equal to, or greater than, the free height of fall of the equipment (acc. to EN 1176-1).
 7. Release for play after concrete foundations have set.
 8. According to maintenance instructions, check all screw connections after 4-5 weeks and retighten, if necessary. Afterwards cover the screw heads with protection caps as follows: Insert grey protection caps into the countersunk drills (e.g. for posts). The non-countersunk drills (e.g. for railings or a slide) have to be covered with the red protection caps by placing them onto the base part. Strongly pound them (e.g. by using a plastic mallet) until they audibly snap into the base part groove.

platform fastening scale 1:10

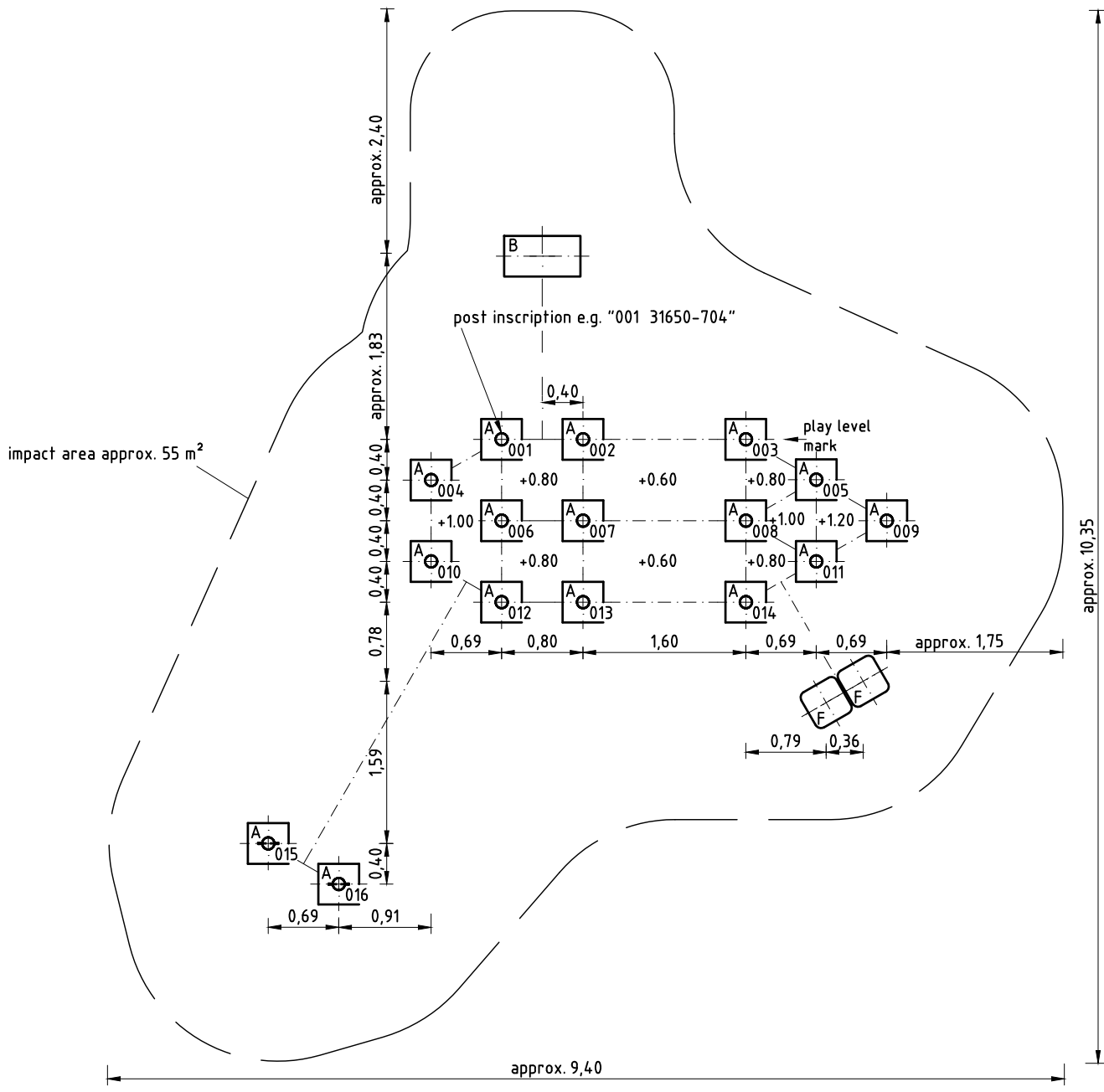


Please ensure that all special tools supplied (e.g. Allen key for secured Allen screws etc.) and all specific documents which are or may be useful for safety management acc. to EN 1176-7 (e.g. invoice, delivery note, order acknowledgement, installation instructions, maintenance instructions) are forwarded to the persons responsible.

**Necessarily insert all attachment parts before tightening the screws.
 It is NOT possible to insert them afterwards.**



max. free height of fall



Please note:

Due to the format size, this installation is not to scale (apart from single details).
 Please refer to the dimensions indicated.
 An installation documentation scale 1:50 can be submitted on request.

