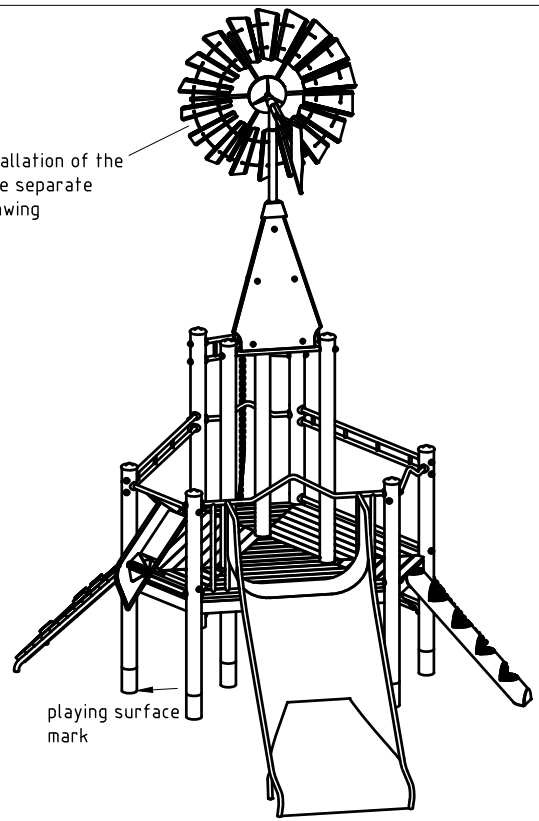


details for installation of the wind turbine see separate installation drawing



1. Assign a device location considering the space requirements (impact area). Slide direction recommended: north-east or in half-shade of trees.
2. Excavate soil for foundations, according to drawing. Please note: To achieve maximum stability and a safe installation, a moderate level of soil solubility is required.
3. Pour in a drain layer of gravel of approx. 10 cm thickness between the bottom of the posts and plain base of foundation.
4. Insert reinforcing steel into the corresponding holes of the posts.
5. Place posts type A according to the corresponding number (see foundation layout) into the respective foundation hole. Play level mark (=aluminium blind rivet) complies with the installation depth. Align every post by means of the play level mark facing into the same direction (see detail or foundation layout).

6. For installation of the pre-assembled components and/or single parts, the screws slightly have to be lubricated with installation paste!

Screw together platforms and posts by using the respective hole in the mounting brackets (according to "chart for platform fastenings").

Tighten all screws after having aligned all components.

Install the slide exit with an inclination of 5° in sliding direction.

Screw connections see details in attached list.

We recommend not to insert the protection caps enclosed before first maintenance as they are only suitable for one-time use (see description below).

7. Grout foundations with compressed concrete C20/25, chamfer and round off the edges, cover the foundations with a surface which meets the requirements for impact attenuation so that its critical fall height is equal to or greater than the maximum free height of fall of the equipment (acc. to EN 1176-1). The run-out section fall zone must have surfacing with a critical fall height of at least 1000 mm (acc. to EN 1176-3).
8. Release for play after concrete foundations have set.
9. According to maintenance instructions, check all screw connections after 4-5 weeks and retighten, if necessary. Afterwards cover the screw heads with protection caps as follows: Insert grey protection caps into the countersunk drills (e.g. for platforms). The non-countersunk drills (e.g. for railings or a slide) have to be covered with the red protection caps by placing them onto the base part. Strongly pound them (e.g. by using a plastic mallet) until they audibly snap into the base part groove.

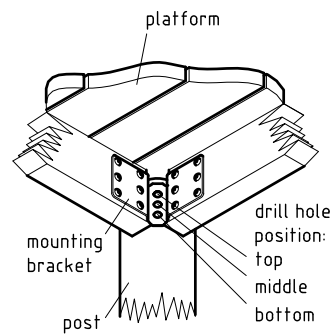
Please ensure that all special tools supplied (e.g. Allen key for secured Allen screws etc.) and all specific documents which are or may be useful for safety management acc. to EN 1176-7 (e.g. invoice, delivery note, order acknowledgement, installation instructions, maintenance instructions) are forwarded to the persons responsible.

Necessarily insert all attachment parts before tightening the screws. It is NOT possible to insert them afterwards.

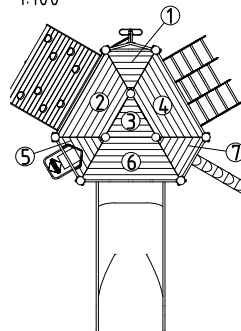
chart for platform fastenings

No.	height	drill hole position in mounting bracket		
		top	middle	bottom
①	1,00		x	
②	1,00	x		
③	1,00		x	
④	1,00	x		
⑤	1,00		x	
⑥	1,00	x		
⑦	1,00		x	

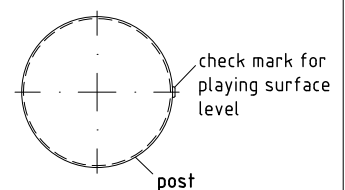
platform fastening 1:10

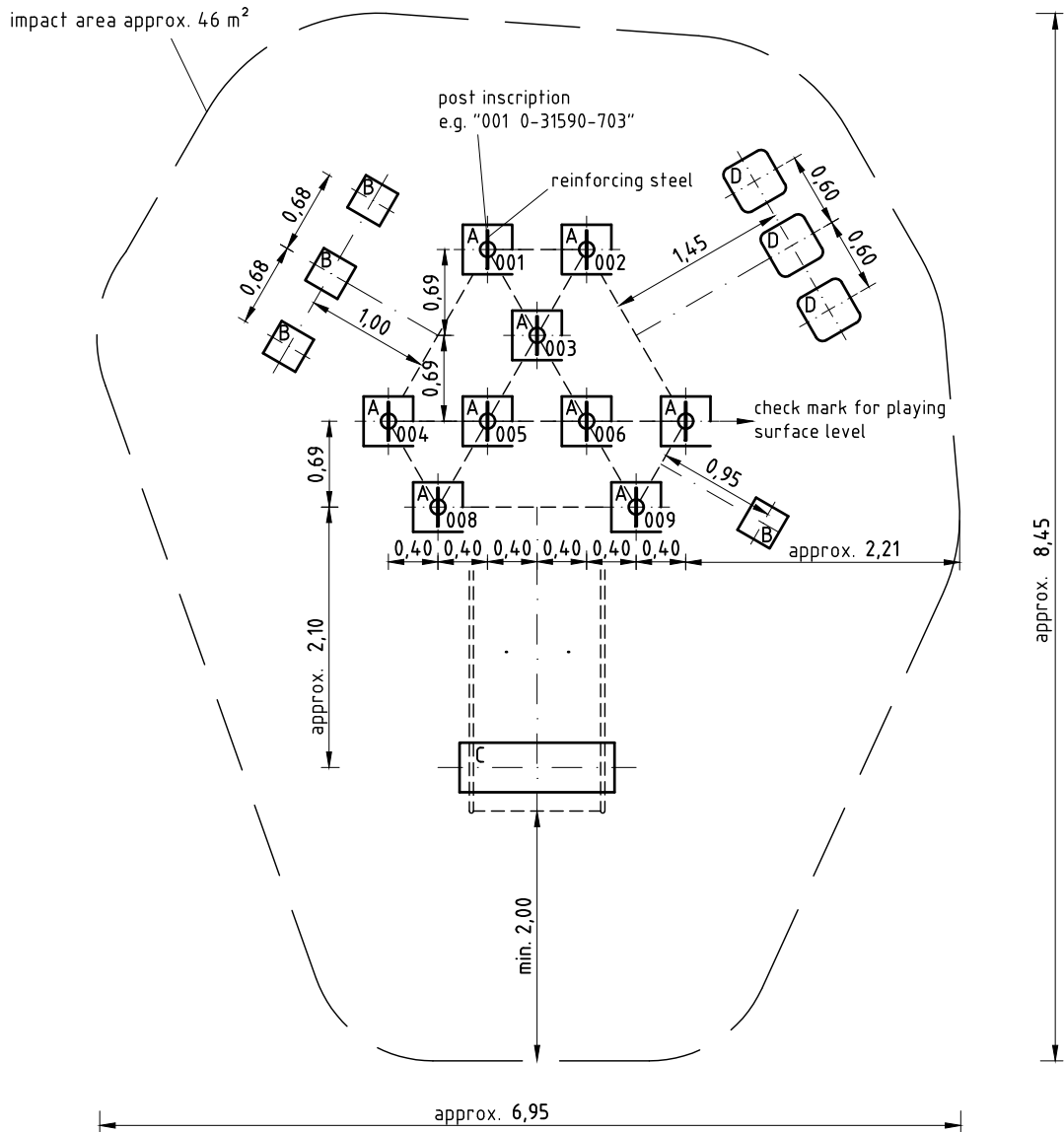
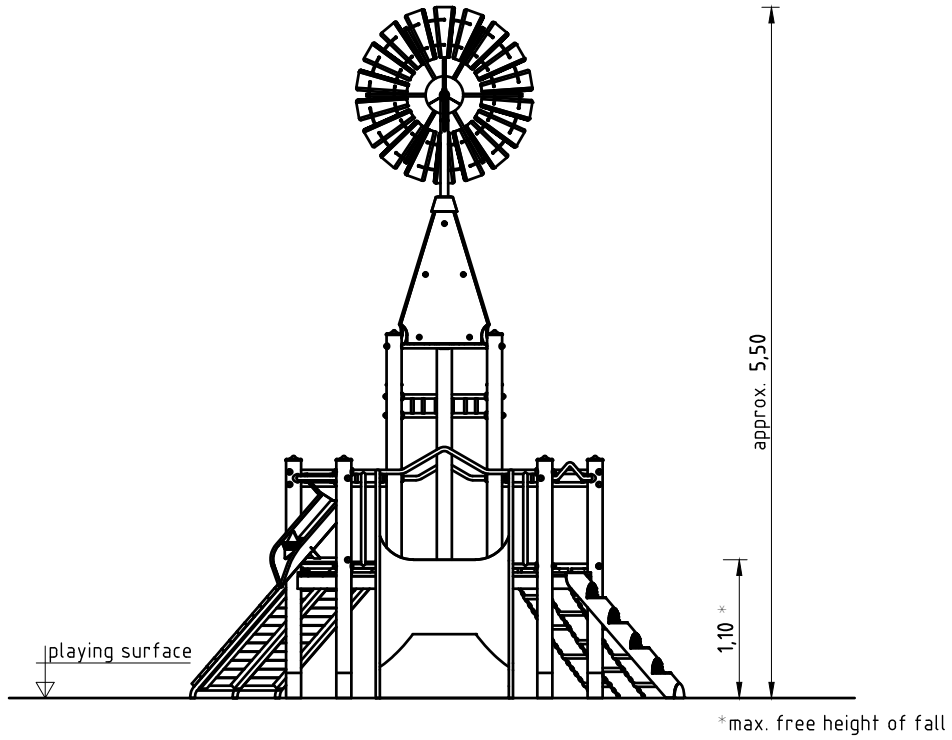


platform orientation/numbers 1:100



detail of check mark 1:5





Installation

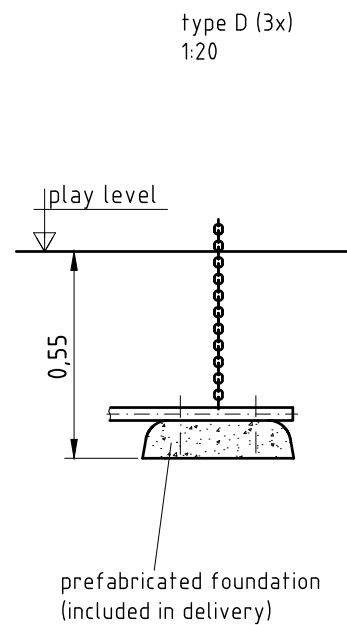
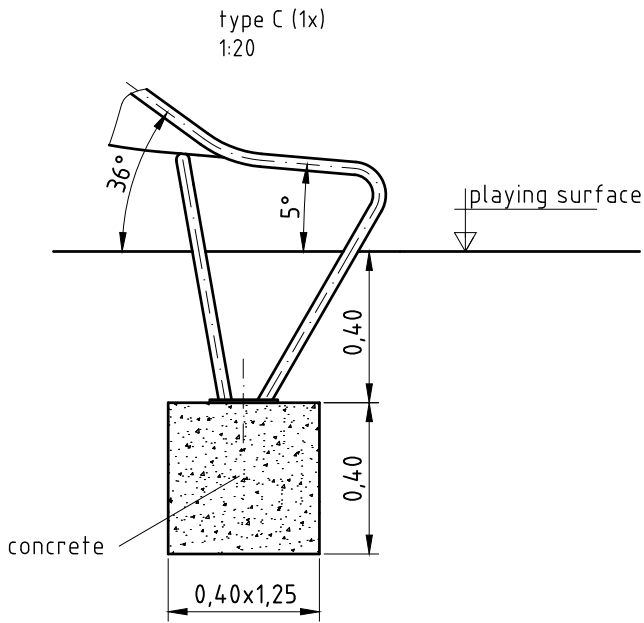
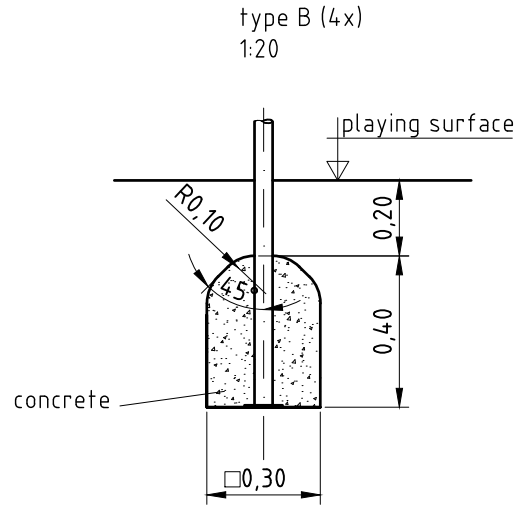
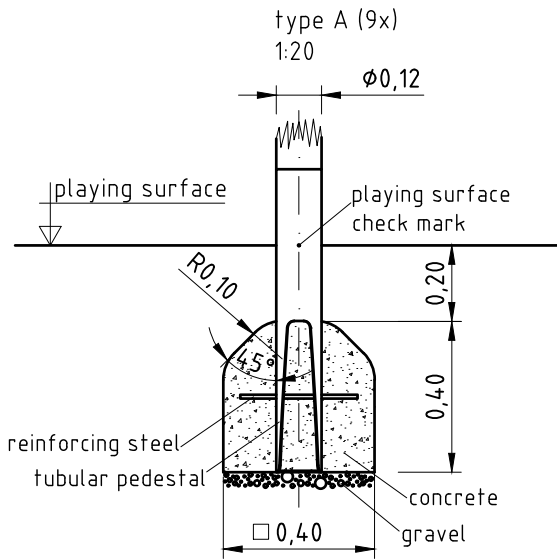
Item No.
0-31590-703

Description
K&K Combi sand works

Scale
1:50

Date
07/18 DW

Page
2/3



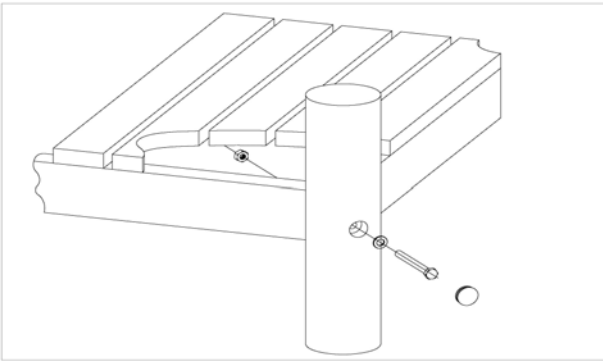
Item: **031590703**
 K&K Combi sand works
 Location:

Order:

1293369

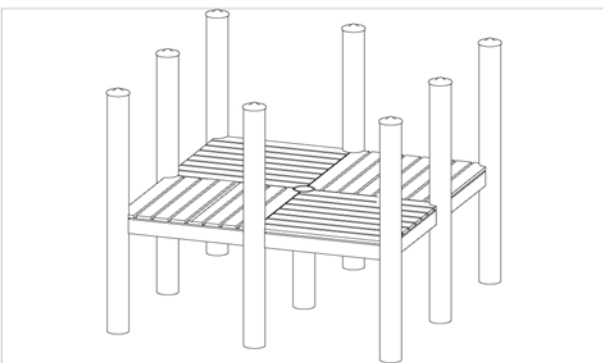
Building Project:

12 x SFRS1200001 Platform at Robinia post, nut is platform-sided



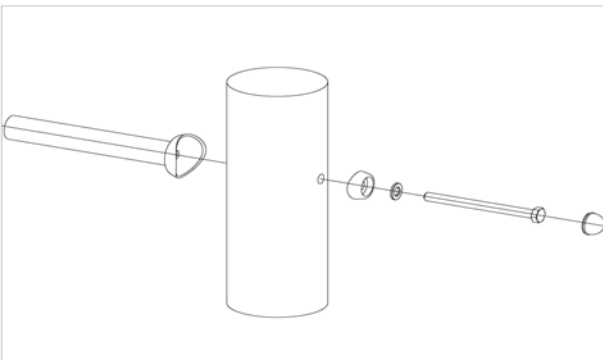
per SC	Total	K&K-Item	Marking
1 x	12 x	3400700	Hexagon head screw M12 x 120 DIN931 A2 with screw security coating/FGB red
1 x	12 x	3300016	Grey domed plastic cover cap SL 36 G
1 x	12 x	3430129	Washer Ø 14 DIN1440 A2
1 x	12 x	3430021	Lock nut M12 DIN985 A2

6 x SFRS1200002 2 platforms on equal height crosswise arranged at Robinia posts



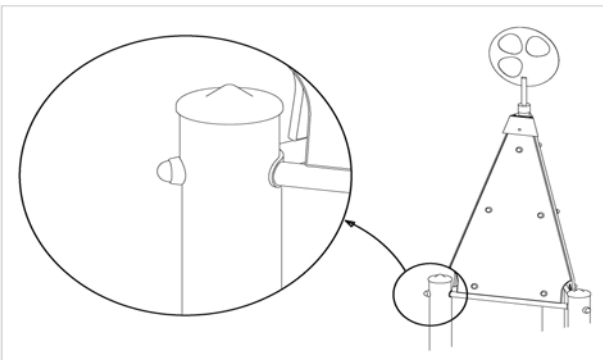
per SC	Total	K&K-Item	Marking
1 x	6 x	3430021	Lock nut M12 DIN985 A2
1 x	6 x	3430025	Washer Ø 13 DIN125 A2
1 x	6 x	3400363	Hexagon head cap screw M12 x 150 DIN931 A2

28 x SFRS1210001 Standard bolting of barriers, handrails, slides to Robinia posts



per SC	Total	K&K-Item	Marking
1 x	28 x	3300055	red protective screw cap - upper part, domed M12
1 x	28 x	3300054	red protective screw cap - lower part, domed M12
1 x	28 x	3430025	Washer Ø 13 DIN125 A2
1 x	28 x	3400702	Hexagon head cap screw M12 x 160 DIN931 A2 with screw security coating FGB red

3 x SFRS1240001 Fastening of tower roof frame with whirligig



per SC	Total	K&K-Item	Marking
1 x	3 x	3300055	red protective screw cap - upper part, domed M12
1 x	3 x	3300054	red protective screw cap - lower part, domed M12
1 x	3 x	3400363	Hexagon head cap screw M12 x 150 DIN931 A2
1 x	3 x	3430051	Hexagon cap nut M12 DIN 986 A2
2 x	6 x	3430025	Washer Ø 13 DIN125 A2

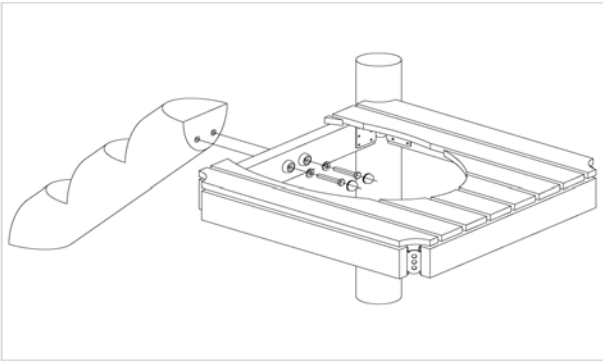
Item: **031590703**
 K&K Combi sand works
 Location:

Order:

1293369

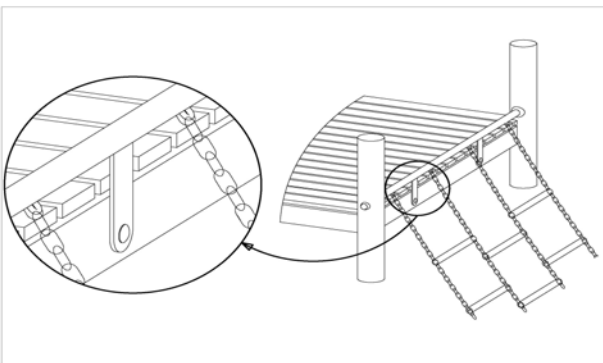
Building Project:

1 x SFAS1230004 Climbing post fastening to platform joist



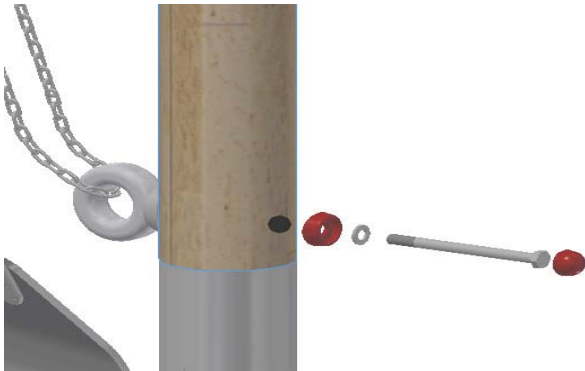
per SC	Total	K&K-Item	Marking
2 x	2 x	3430025	Washer Ø 13 DIN125 A2
2 x	2 x	3300055	red protective screw cap - upper part, domed M12
2 x	2 x	3400414	hexagon head cap screw M12 x 75 DIN931 A2
2 x	2 x	3300045	Screw cover cap, flat, M 12 PA6 P1 (lower part) colour: red/RAL 2002

1 x SFAS1230003 Chain ladder 1,60 m at platform joist



per SC	Total	K&K-Item	Marking
2 x	2 x	3300056	white protective screw cap - lower part, M10
2 x	2 x	3430014	Washer Ø 10,5 DIN 125 B A2
2 x	2 x	3300057	white protective screw cap - upper part, M10
2 x	2 x	3430048	Lock nut M10 DIN 985 A2
2 x	2 x	3400416	Mushroom head screw M10 x 65 DIN603 A2

1 x SFRS1260003 Fastening of chain of sand pulley to post



per SC	Total	K&K-Item	Marking
1 x	1 x	3300055	red protective screw cap - upper part, domed M12
1 x	1 x	3430025	Washer Ø 13 DIN125 A2
1 x	1 x	3400702	Hexagon head cap screw M12 x 160 DIN931 A2 with screw security coating FGB red
1 x	1 x	3300054	red protective screw cap - lower part, domed M12
1 x	1 x	1040731	weld piece/post attachment/twist protection

1 x SFWZ0000001 Security TORX wrench TR40



per SC	Total	K&K-Item	Marking
1 x	1 x	3490081	Security TORX wrench TR40
1 x	1 x	3490081	Security TORX wrench TR40

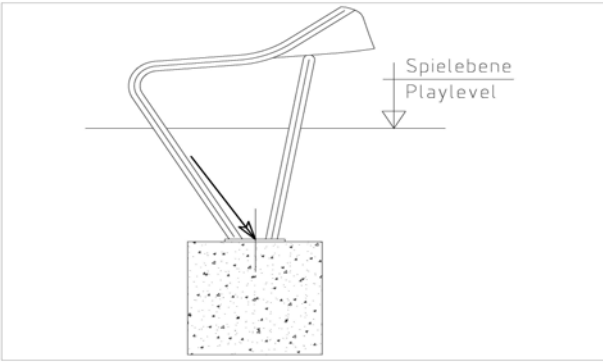
Item: **031590703**
 K&K Combi sand works
 Location:

Order:

1293369

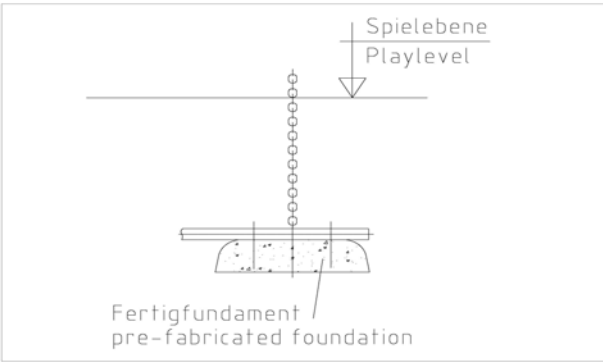
Building Project:

1 x SFAS1070006 Slide run-out section (up to 2,00 m) on foundation stone bolt assembly



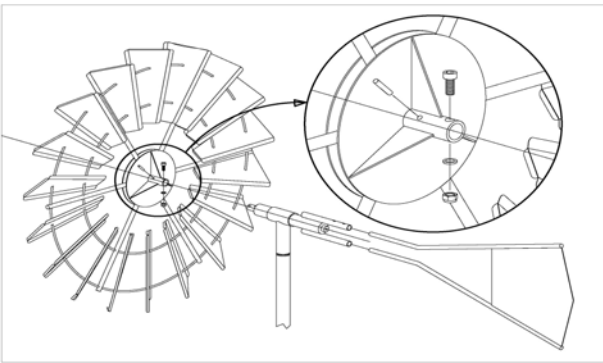
per SC	Total	K&K-Item	Marking
2 x	2 x	1070365	Set of stone bolts for slide run-out section M12x160

3 x SFAS1230007 Connection pipe between chain ladder/space net/ climbing net and prefabricated foundation (item N° 15150)



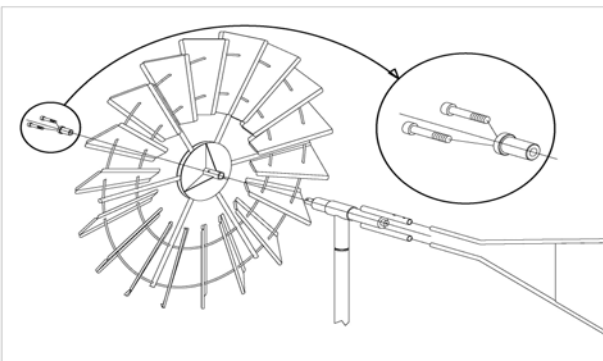
per SC	Total	K&K-Item	Marking
2 x	6 x	3430025	Washer Ø 13 DIN125 A2
2 x	6 x	3400498	Hexagon head cap screw M12 x 55 DIN931 A2

1 x SFAS1240018 Dowel and bolt down rotor of windturbine to bearing spindle



per SC	Total	K&K-Item	Marking
1 x	1 x	3430035	Lock nut M8 DIN985 A2
1 x	1 x	3440040	dowel pin Ø 8 x 40 DIN1481 A2
1 x	1 x	3430009	washer Ø 8,4 DIN125 A2
1 x	1 x	3400391	cylinder head screw M8 x 50 DIN912 A2

1 x SFAS1240019 Bolt down rotor protection to rotor/bearing spindle



per SC	Total	K&K-Item	Marking
2 x	2 x	3400603	cheese head screw M8 x 70 DIN912 A2
1 x	1 x	2030110	rotor protection

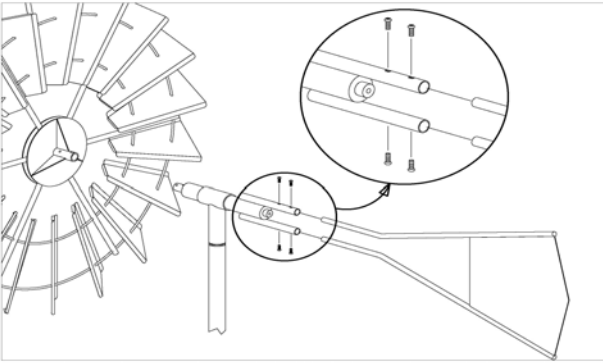
Item: **031590703**
 K&K Combi sand works
 Location:

Order:

1293369

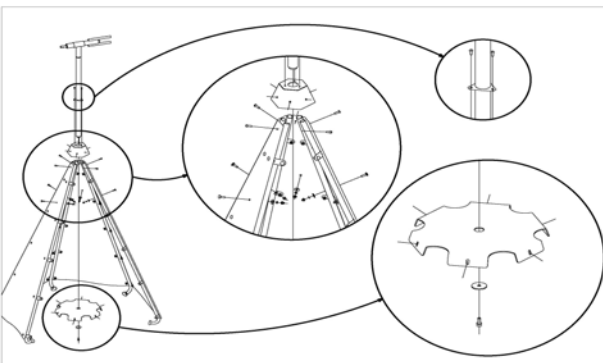
Building Project:

1 x SFAS1240020 Bolt down control lug to wind turbine



per SC	Total	K&K-Item	Marking
4 x	4 x	3400324	cheese head screw M6 x 10 DIN912 A2

1 x SFAS1240024 Bearing of wind turbine on top of tower roof 72°



per SC	Total	K&K-Item	Marking
6 x	6 x	3430086	Washer Ø 10,5 DIN9021 A2
6 x	6 x	3430012	Schnorr-disc spring S10 A2
6 x	6 x	3430011	Hexagon cap nut M10 DIN986 A2
3 x	3 x	3400641	Dome head screw M8 x 20 PinHexagon A2
1 x	1 x	3430014	Washer Ø 10,5 DIN 125 B A2
1 x	1 x	3400202	cheese hed screw M12 x 30 DIN912 A2
1 x	1 x	2000968	ring foot locking wind rotor Ø60 x Ø13x4 Ø60 x Ø13x4
6 x	6 x	3400195	Dome head security screw-M10x30-Resistorx T45 A
6 x	6 x	3400024	Mushroom head screw M10 x 35 DIN603 A2

1 x SFWZ0000001 Security TORX wrench TR40



per SC	Total	K&K-Item	Marking
1 x	1 x	3490081	Security TORX wrench TR40
1 x	1 x	3490081	Security TORX wrench TR40

1 x SFWZ0000002 Security TORX wrench TR45



per SC	Total	K&K-Item	Marking
1 x	1 x	3490033	Allen key security TORX T45

Item: **031590703**
K&K Combi sand works

Order:

1293369

Location:

Building Project:

1 x SFWZ0000012 Lubricating metal (30g box) incl. brush



per SC	Total	K&K-Item	Marking
1 x	1 x	5300039	Lubricating metal box 30g
1 x	1 x	5200026	Brush for lubricating metal