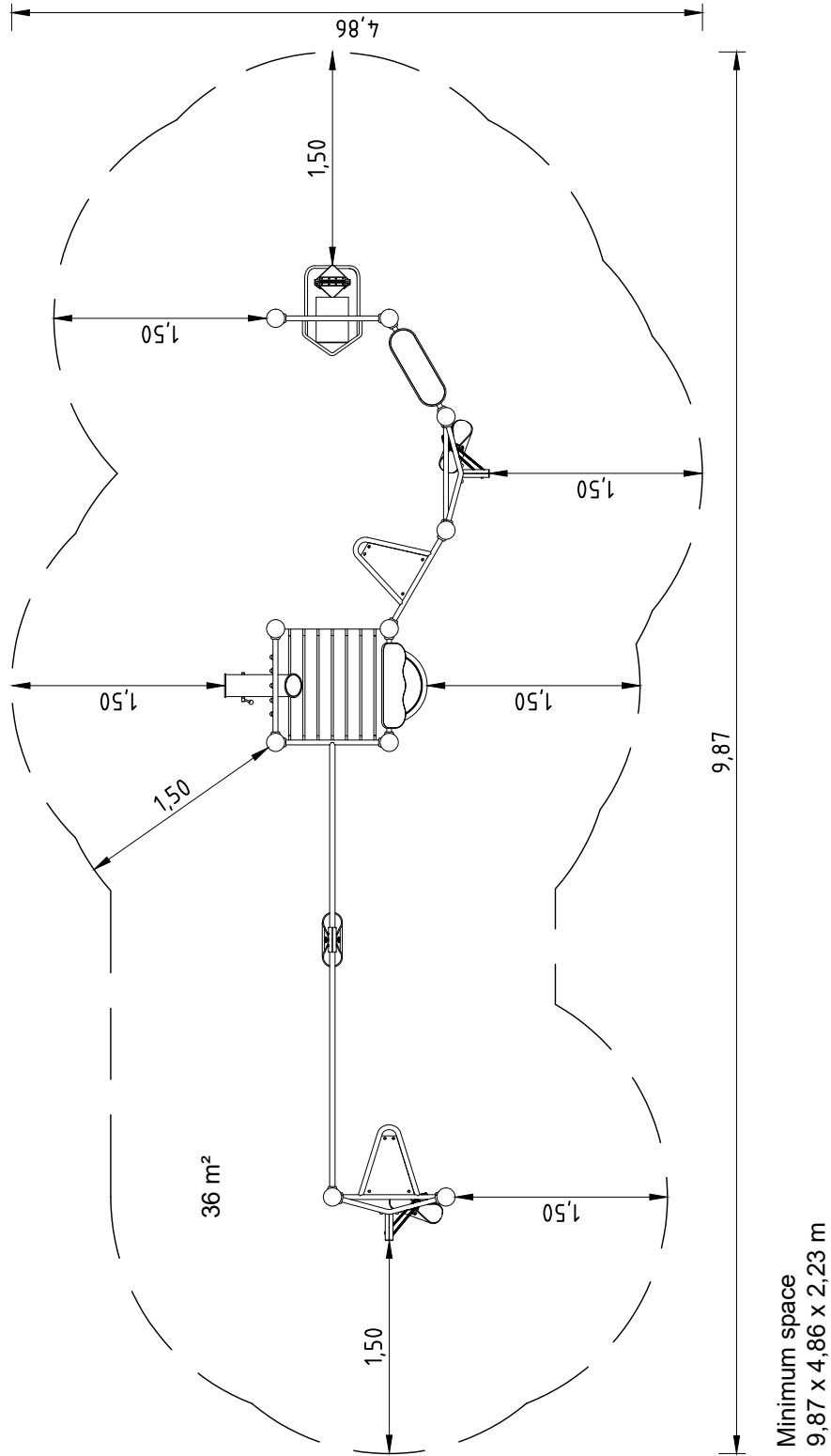


Installation

Item No.	Description	Scale	Date	Page
031340500/700	Sand play combination	1:50	03/22 EB	1/4

Top view & impact area



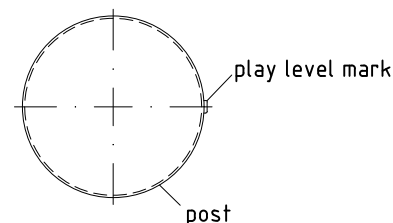
Installation instructions

1. Assign a device location considering the space requirement (impact area).
2. Excavate soil for foundations, according to drawing.
Please note: To achieve maximum stability and a safe installation, a moderate level of soil solubility is required.
3. Pour in a drain layer of gravel of approx. 10 cm thickness between the bottom of the posts and plain base of foundation.
4. Insert reinforcing steel into the corresponding holes of the posts.
5. Place posts type A according to the corresponding number (see foundation layout) into the respective foundation hole. Play level mark (=aluminium blind rivet) complies with the installation depth. Align every post by means of the play level mark facing into the same direction (see detail or foundation layout).
6. **For installation of the pre-assembled components and/or single parts, the screws slightly have to be lubricated with installation paste!**
Screw together platform and posts by using the middle hole in the mounting brackets.
Tighten all screws after having aligned all components.
Screw connections see details in attached list.
We recommend not to insert the protection caps enclosed before first maintenance as they are only suitable for one-time use.
7. Grout foundations with compressed concrete C20/25, chamfer and round off the edges, cover the foundations with a surface which meets the requirement for impact attenuation so that its critical fall height is equal to or greater than the maximum free height of fall of the equipment (acc. to EN 1176-1).
8. Release for play after concrete foundations have set.
9. According to maintenance instructions, check all screw connections after 4-5 weeks and retighten, if necessary. Afterwards cover the screw heads with protection caps.

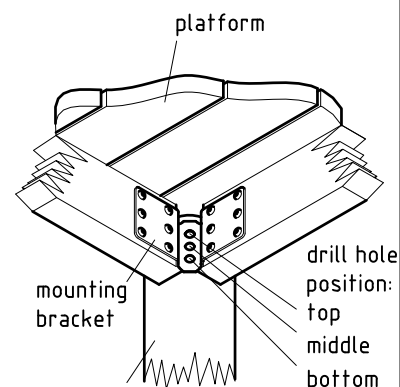
Please ensure that all special tools supplied (e.g. Allen key for secured Allen screws etc.) and all specific documents which are or may be useful for safety management acc. to EN 1176-7 (e.g. invoice, delivery note, order acknowledgement, installation instructions, maintenance instructions) are forwarded to the persons responsible.

Necessarily insert all attachment parts before tightening the screws. It is NOT possible to insert them afterwards.

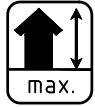
detail of play level mark
1:5



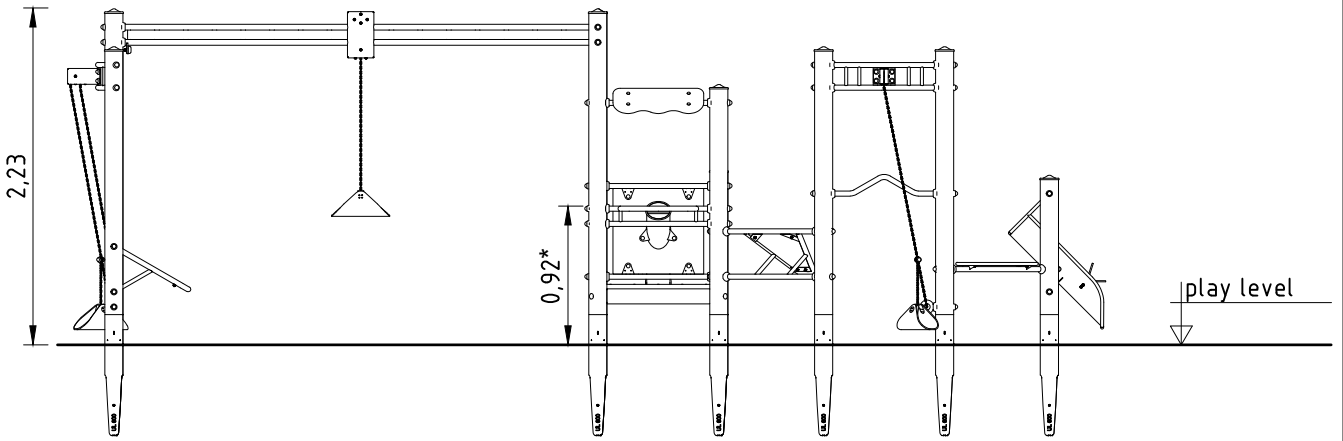
platform fastening
1:10



Front view



dimension mark - total height of the equipment

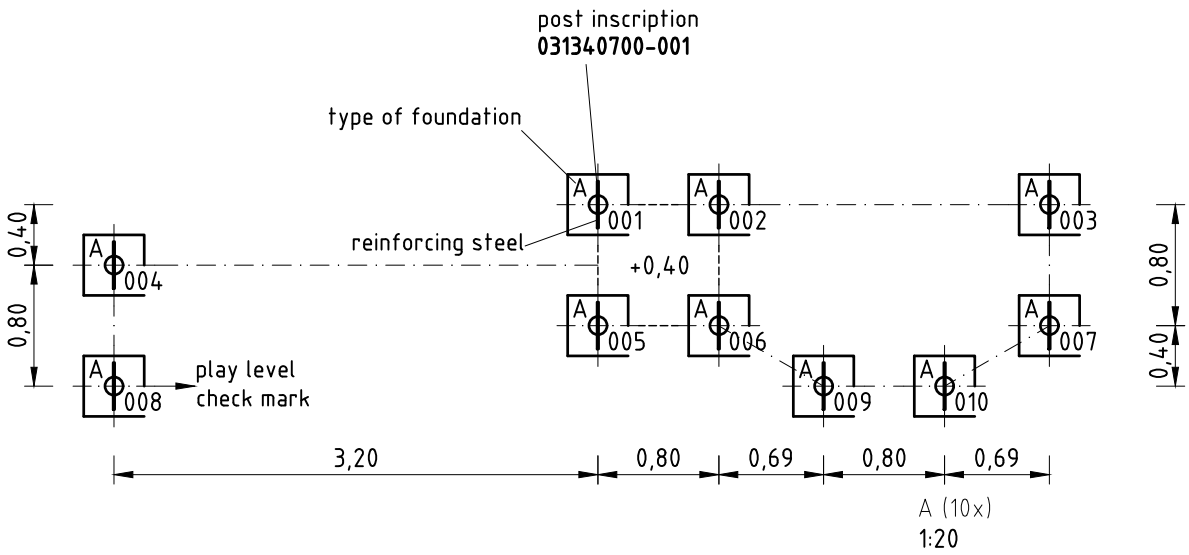


Space occupied by equipment
6,86 x 1,86 x 2,23 m



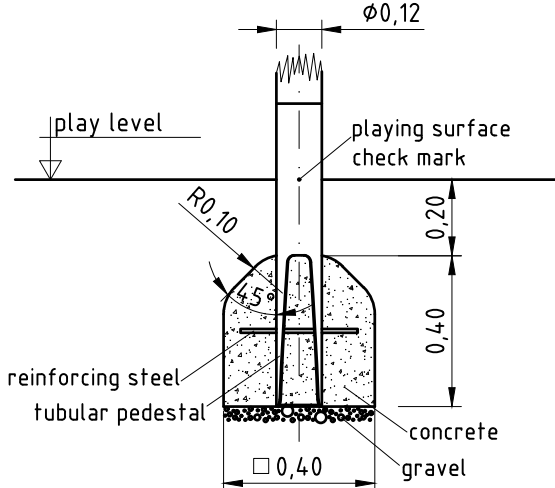
dimension mark - maximum free height of fall

Foundation plan



foundations (on site)
10x 0,40 x 0,40 x 0,40 m

(approximate) concrete needs
0,7 m³



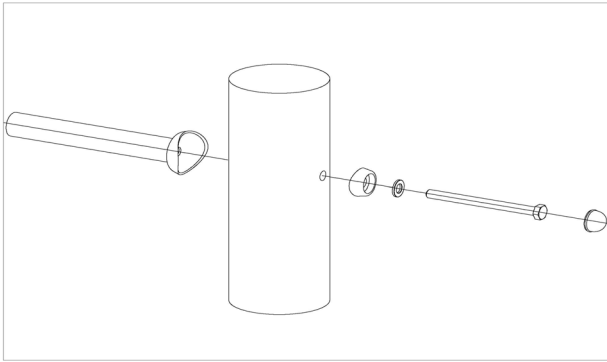
Item: **031340700**
Sand play combination
Location:

Order:

1294585

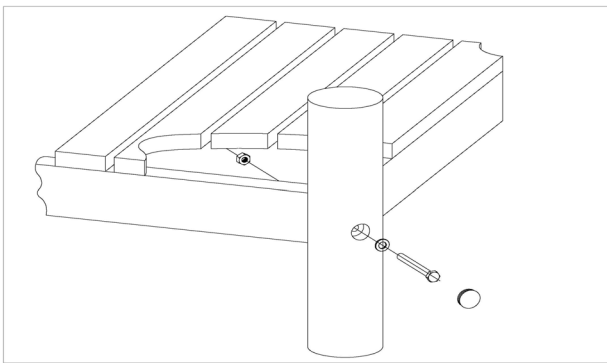
Building Project:

40 x SFRS1210001 Standard bolting of barriers, handrails, slides to Robinia posts



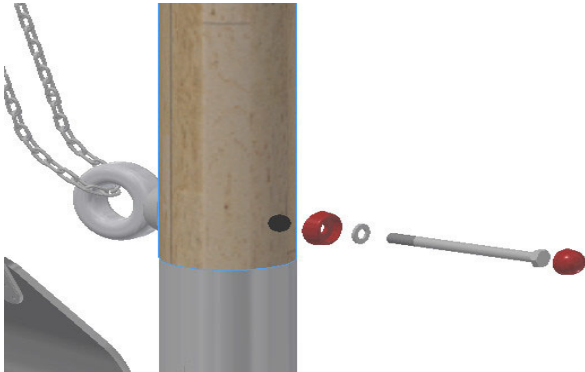
per SC	Total	K&K-Item	Marking
1 x	40 x	3300054	Red protective screw cap - lower part, domed M12
1 x	40 x	3300055	Red protective screw cap - upper part, domed M12
1 x	40 x	3430025	Washer Ø 13 DIN125 A2
1 x	40 x	3400702	Hexagon head cap screw M12 x 160 DIN931 A2 with screw security coating FGB red

4 x SFRS1200001 Platform at Robinia post, nut is platform-sided



per SC	Total	K&K-Item	Marking
1 x	4 x	3430129	Washer Ø 14 DIN1440 A2
1 x	4 x	3430021	Lock nut M12 DIN985 A2
1 x	4 x	3300016	Grey domed plastic cover cap SL 36 G
1 x	4 x	3400700	Hexagon head screw M12 x 120 DIN931 A2 with screw security coating/FGB red

2 x SFRS1260003 Fastening of chain of sand pulley to post



per SC	Total	K&K-Item	Marking
1 x	2 x	3300055	Red protective screw cap - upper part, domed M12
1 x	2 x	3300054	Red protective screw cap - lower part, domed M12
1 x	2 x	3400702	Hexagon head cap screw M12 x 160 DIN931 A2 with screw security coating FGB red
1 x	2 x	3430025	Washer Ø 13 DIN125 A2
1 x	2 x	1040731	weld piece/post attachment/twist protection

10 x SFES1270007 Reinforcing steel for tubular pedestals



per SC	Total	K&K-Item	Marking
1 x	10 x	2130000	Reinforcing steel Ø 10 x 310 DIN 488

Item: **031340700**
 Sand play combination
 Location:

Order:

1294585

Building Project:

1 x SFWZ000009 Hexagon insert socket driver 10mm 1/2" with borehole for Pin



per SC	Total	K&K-Item	Marking
1 x	1 x	2030170	Hexagon insert socket driver 10 mm 1/2" with drill hole for Pin

1 x SFWZ000014 Lubricating metal, bag (4 g)



per SC	Total	K&K-Item	Marking
1 x	1 x	5300024	Metaflux fitting lubricant 2x4 g