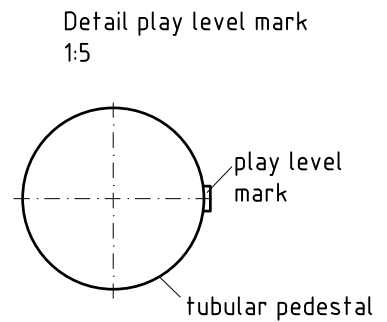
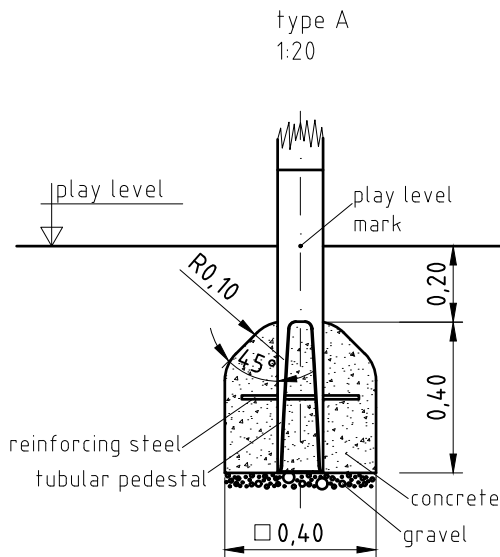
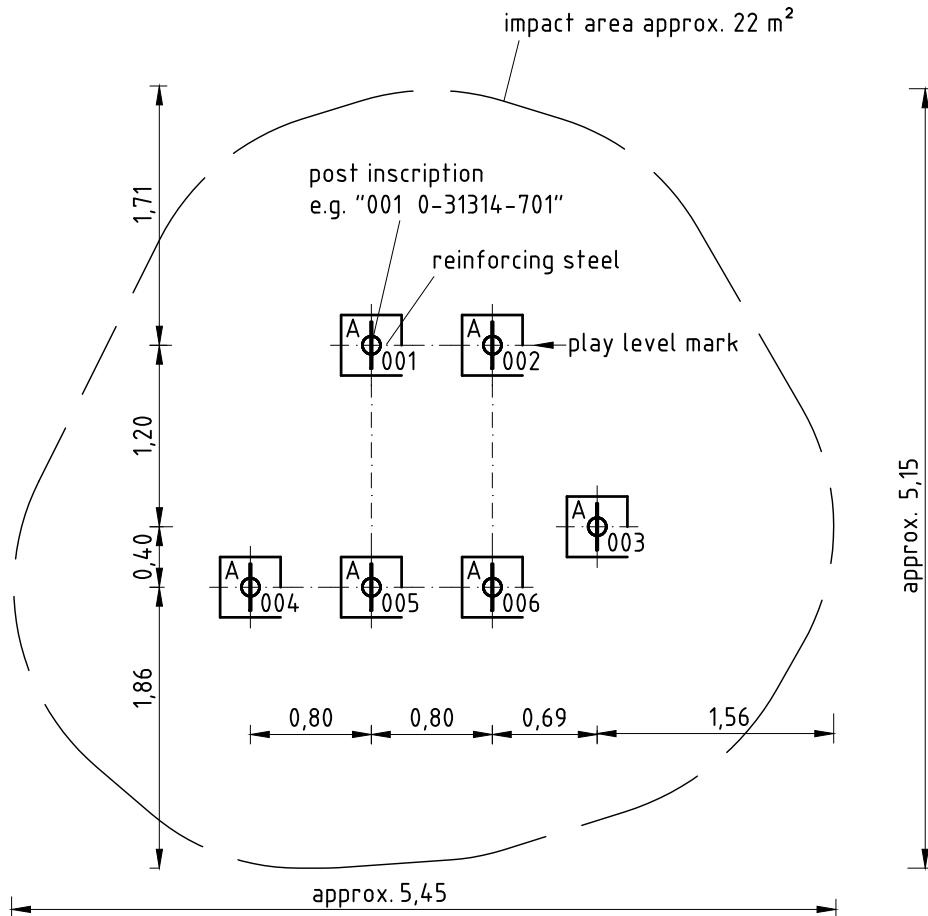
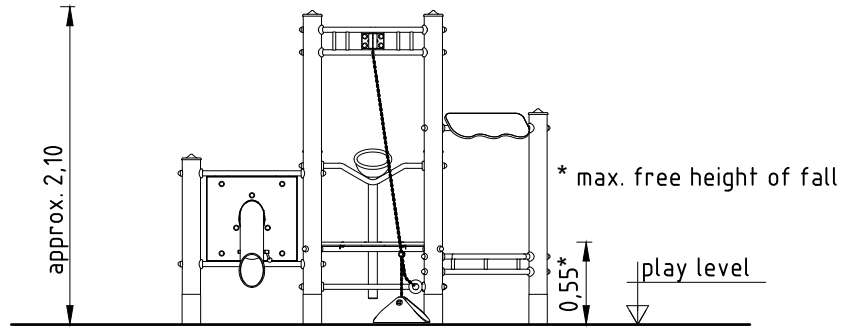


1. Assign location of equipment considering the space requirements (impact area).
2. Excavate soil for foundations, according to drawing.
Please note: To achieve maximum stability and a safe installation, a moderate level of soil solubility is required.
3. Pour in a drain layer of gravel of approx. 10 cm thickness between the bottom of the tubular pedestals and plain base of foundation.
4. Insert reinforcing steel into the corresponding holes of the tubular pedestals.
5. Place posts type A (see foundation layout) according to the corresponding number into the respective foundation hole. Play level mark (=aluminium blind rivet) complies with the installation depth. Align every post by means of the play level mark facing into the same direction (see detail or foundation layout).
- 6. For installation of the pre-assembled components and/or single parts, the screws slightly have to be lubricated with installation paste! Tighten all screws after having aligned all components.**
Screw connections see details in attached list.
We recommend not to insert the protection caps enclosed before first maintenance as they are only suitable for one-time use (see description in item No. 9).
7. Grout foundations with compressed concrete C20/25, chamfer and round off the edges, cover the foundations with a surface which meets the requirements for impact attenuation so that the critical fall height of the surfacing shall be equal to, or greater than, the free height of fall of the equipment (acc. to EN 1176-1).
8. Release for play after concrete foundations have set.
9. Check all screw connections acc. to maintenance instructions after 4-5 weeks and retighten, if necessary. Afterwards, cover the screw heads with protection caps by placing them onto the base part. Strongly pound them (e.g. by using a plastic mallet) until they audibly snap into the base part groove.

Please ensure that all special tools supplied (e.g. Allen key for secured Allen screws etc.) and all specific documents which are or may be useful for safety management acc. to EN 1176-7 (e.g. invoice, delivery note, order acknowledgement, installation instructions, maintenance instructions) are forwarded to the persons responsible .

**Necessarily insert all attachment parts before tightening the screws.
It is NOT possible to insert them afterwards.**



Installation

| Item No. | Description | Scale | Date | Page |
|-------------|---------------|-------|----------|------|
| 0-31314-701 | K&K sandworks | 1:50 | 07/18 DW | 2/2 |

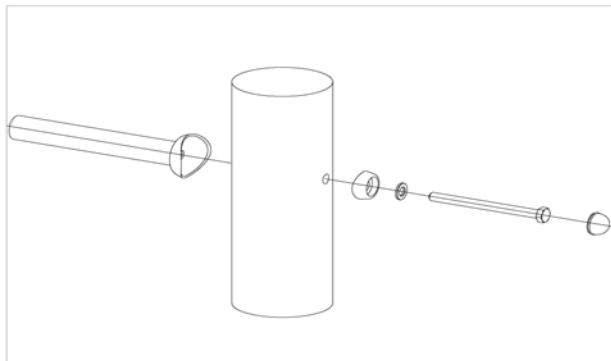
Item: **031314701**
 K&K Sand works
 Location:

Order:

1293347

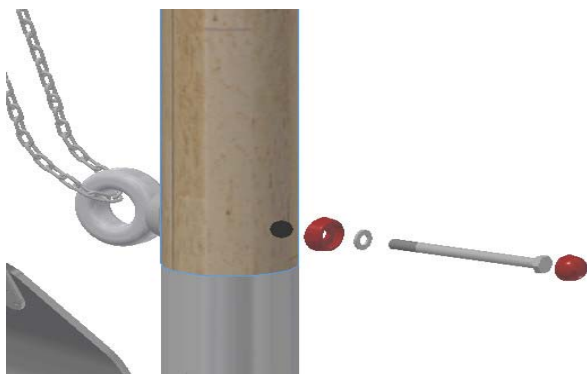
Building Project:

22 x SFRS1210001 Standard bolting of barriers, handrails, slides to Robinia posts



| per SC | Total | K&K-Item | Marking |
|--------|-------|----------|--|
| 1 x | 22 x | 3300054 | red protective screw cap - lower part, domed M12 |
| 1 x | 22 x | 3300055 | red protective screw cap - upper part, domed M12 |
| 1 x | 22 x | 3430025 | Washer Ø 13 DIN125 A2 |
| 1 x | 22 x | 3400702 | Hexagon head cap screw M12 x 160 DIN931 A2 with screw security coating FGB red |

1 x SFRS1260003 Fastening of chain of sand pulley to post



| per SC | Total | K&K-Item | Marking |
|--------|-------|----------|--|
| 1 x | 1 x | 3430025 | Washer Ø 13 DIN125 A2 |
| 1 x | 1 x | 3300055 | red protective screw cap - upper part, domed M12 |
| 1 x | 1 x | 3400702 | Hexagon head cap screw M12 x 160 DIN931 A2 with screw security coating FGB red |
| 1 x | 1 x | 3300054 | red protective screw cap - lower part, domed M12 |
| 1 x | 1 x | 1040731 | weld piece/post attachment/twist protection |

1 x SFWZ0000001 Security TORX wrench TR40

| per SC | Total | K&K-Item | Marking |
|--------|-------|----------|---------------------------|
| 1 x | 1 x | 3490081 | Security TORX wrench TR40 |



6 x SFES1270007 Reinforcing steel for tubular pedestals

| per SC | Total | K&K-Item | Marking |
|--------|-------|----------|--------------------------------------|
| 1 x | 6 x | 2130000 | Reinforcing steel Ø 10 x 310 DIN 488 |



Item: **031314701**

Order:

1293347

K&K Sand works

Location:

Building Project:

1 x SFWZ0000014 Lubricating metal, bag (4g)

| per SC | Total | K&K-Item | Marking |
|--------|-------|----------|----------------------------------|
| 1 x | 1 x | 5300024 | Metaflux fitting lubricant 2x4 g |

