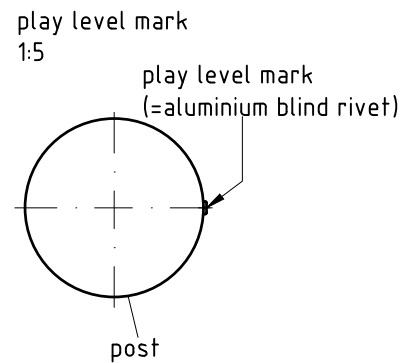
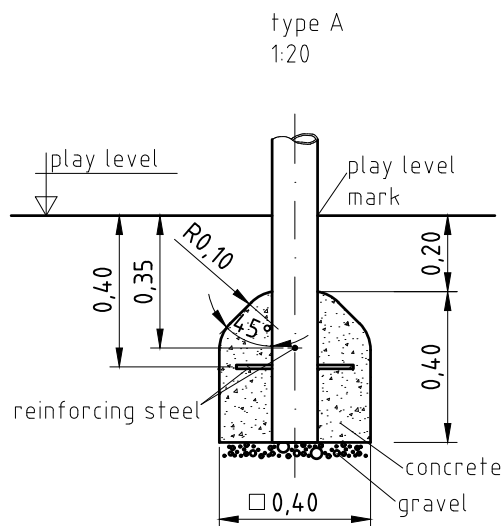
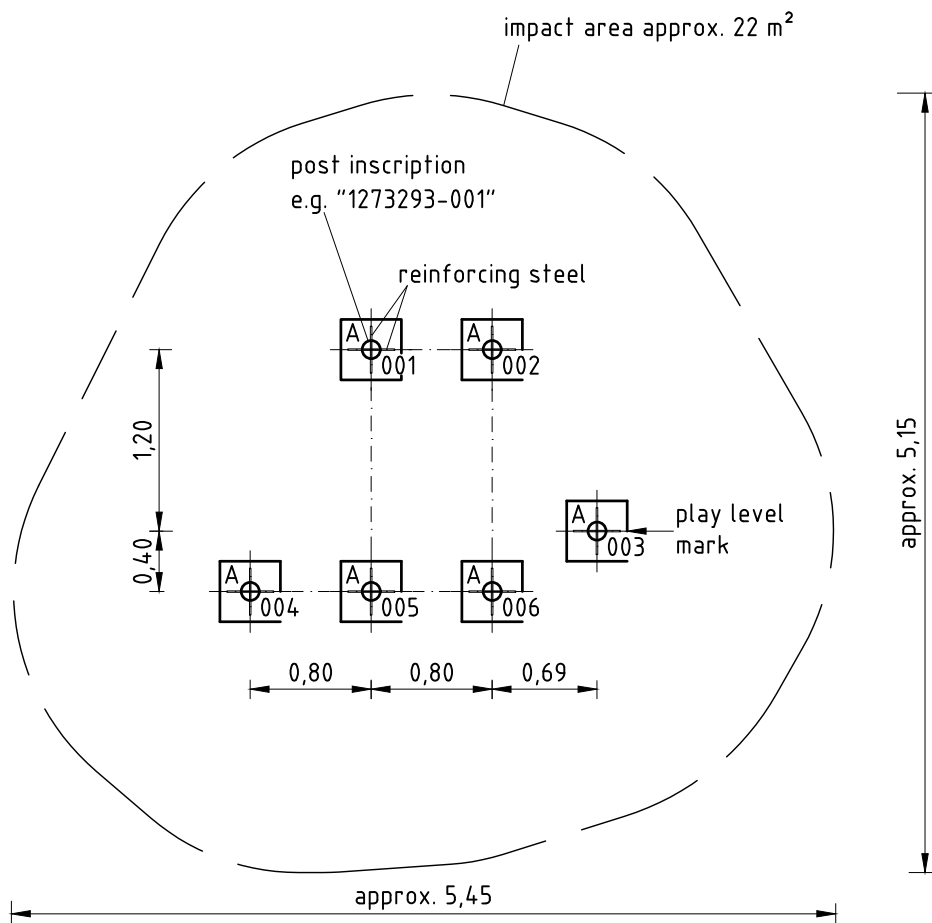
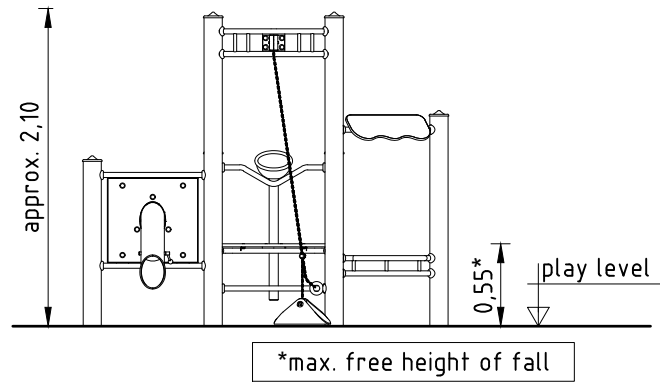


1. Assign a device location considering the space requirements (impact area).
2. Excavate soil for foundations, according to drawing.  
Please note: To achieve maximum stability and a safe installation, a moderate level of soil solubility is required.
3. Pour in a drain layer of gravel of approx. 10 cm thickness between the bottom of the steel post and plain base of foundation.
4. Insert reinforcing steel into the corresponding holes of the steel posts.
5. Place posts type A (see foundation layout) according to the corresponding number into the respective foundation hole. Play level mark (=aluminium blind rivet) complies with the installation depth. Align every post by means of the play level mark facing into the same direction (see detail or foundation layout).
- 6. For installation of the pre-assembled components and/or single parts, the screws slightly have to be lubricated with installation paste!  
Tighten all screws after having aligned all components.  
Screw connections see details in list of screw cases attached.**
7. Grout foundations with compressed concrete C20/25, chamfer and round off the edges, cover the foundations with a surface which meets the requirements for impact attenuation so that the critical fall height of the surfacing is equal to, or greater than, the free height of fall of the equipment (acc. to EN 1176-1).
8. Release for play after concrete foundations have set.
9. According to maintenance instructions, check all screw connections after 4-5 weeks and retighten, if necessary.

Please ensure that all special tools supplied (e.g. Allen key for secured Allen screws etc.) and all specific documents which are or may be useful for safety management acc. to EN 1176-7 (e.g. invoice, delivery note, order acknowledgement, installation instructions, maintenance instructions) are forwarded to the persons responsible.

**Necessarily insert all attachment parts (table, sand slide etc.) before tightening the screws.  
It is NOT possible to insert them afterwards.**



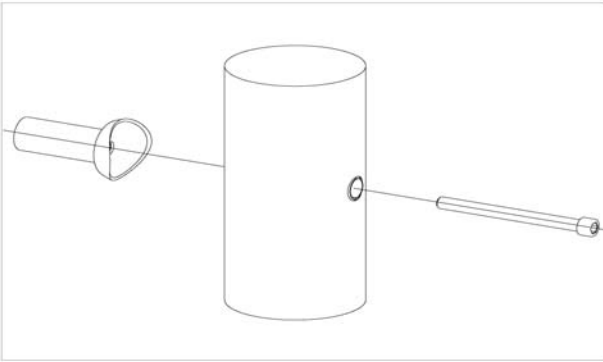
Item: **031314501**  
 K&K Sand works  
 Location:

Order:

1293346

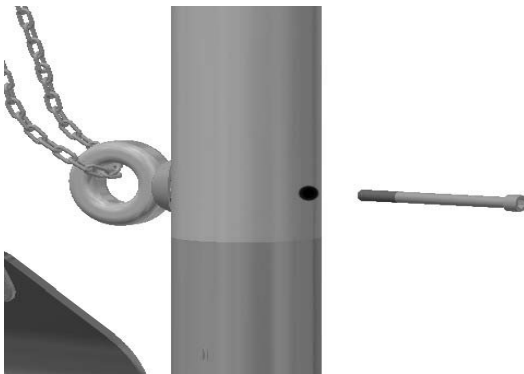
Building Project:

**22 x SFES1210001 Standard bolting of attachment parts (except platforms) to stainless steel posts**



per SC	Total	K&K-Item	Marking
1 x	22 x	2030168	Cheese head screw with pin M12x140

**1 x SFES1260002 Fastening of chain of sand pulley to steel post**



per SC	Total	K&K-Item	Marking
1 x	1 x	2030168	Cheese head screw with pin M12x140
1 x	1 x	1040731	weld piece/post attachment/twist protection

**6 x SFES1270001 Reinforcing steel for stainless steel posts**



per SC	Total	K&K-Item	Marking
2 x	12 x	2130000	Reinforcing steel Ø 10 x 310 DIN 488

**1 x SFWZ0000001 Security TORX wrench TR40**

per SC	Total	K&K-Item	Marking
1 x	1 x	3490081	Security TORX wrench TR40



Item: **031314501**  
 K&K Sand works  
 Location:

Order:

1293346

Building Project:

**1 x SFWZ000009 Hexagon insert socket driver 10mm 1/2" with borehole for Pin**



per SC	Total	K&K-Item	Marking
1 x	1 x	2030170	Hexagon insert socket driver 10 mm 1/2" with drill hole for Pin

**1 x SFWZ000013 Lubricating metal, twin bag (2 x 4 g)**



per SC	Total	K&K-Item	Marking
2 x	2 x	5300024	Metaflux fitting lubricant 2x4 g

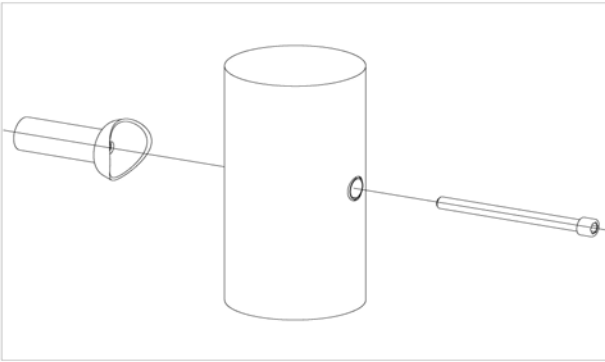
Item: **031314501**  
 K&K Sand works  
 Location:

Order:

1293346

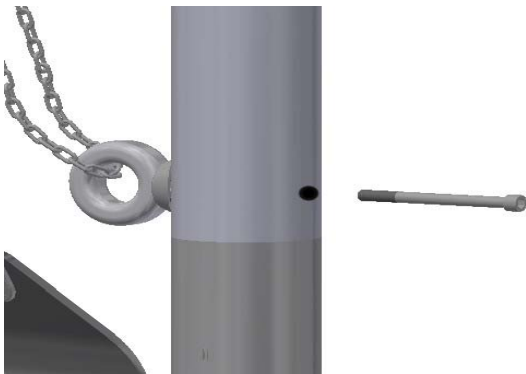
Building Project:

**22 x SFES1210001 Standard bolting of attachment parts (except platforms) to stainless steel posts**



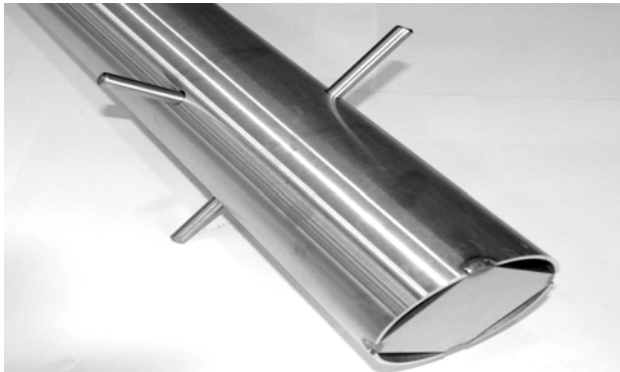
per SC	Total	K&K-Item	Marking
1 x	22 x	2030168	Cheese head screw with pin M12x140

**1 x SFES1260002 Fastening of chain of sand pulley to steel post**



per SC	Total	K&K-Item	Marking
1 x	1 x	2030168	Cheese head screw with pin M12x140
1 x	1 x	1040731	weld piece/post attachment/twist protection

**6 x SFES1270001 Reinforcing steel for stainless steel posts**



per SC	Total	K&K-Item	Marking
2 x	12 x	2130000	Reinforcing steel Ø 10 x 310 DIN 488

**1 x SFWZ0000001 Security TORX wrench TR40**

per SC	Total	K&K-Item	Marking
1 x	1 x	3490081	Security TORX wrench TR40



Item: **031314501**  
 K&K Sand works  
 Location:

Order:

1293346

Building Project:

**1 x SFWZ000009 Hexagon insert socket driver 10mm 1/2" with borehole for Pin**



per SC	Total	K&K-Item	Marking
1 x	1 x	2030170	Hexagon insert socket driver 10 mm 1/2" with drill hole for Pin

**1 x SFWZ000013 Lubricating metal, twin bag (2 x 4 g)**



per SC	Total	K&K-Item	Marking
2 x	2 x	5300024	Metaflux fitting lubricant 2x4 g