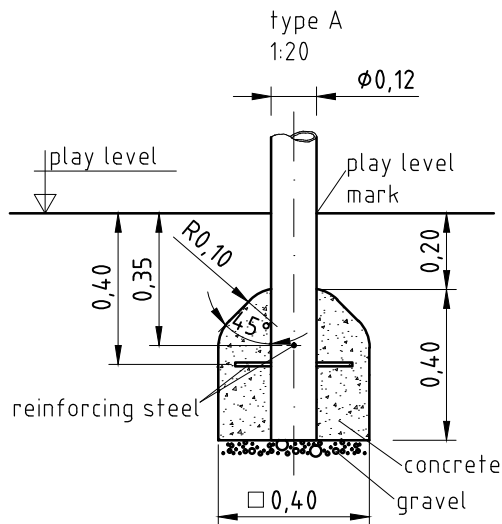
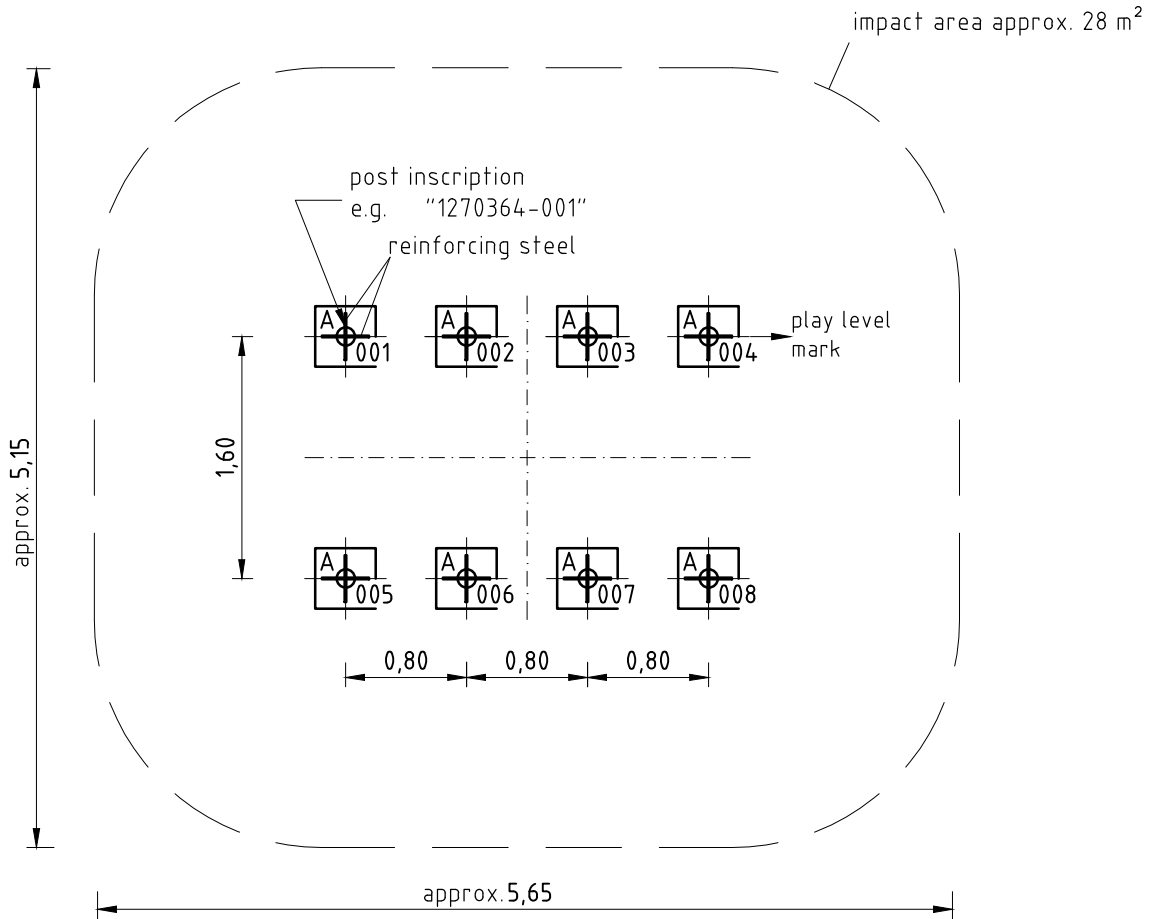
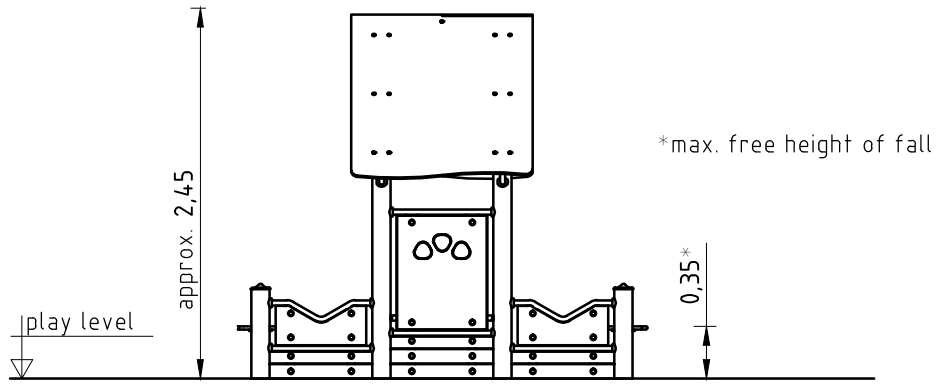







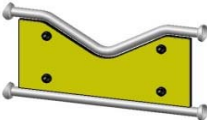
pre-assembled components signed with X  
must be installed first



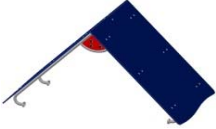
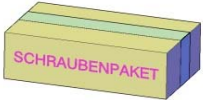
1. Assign a device location considering the space requirements (impact area).
2. Excavate soil for foundations, according to drawing.  
Please note: To achieve maximum stability and a safe installation, a moderate level of soil solubility is required.
3. Pour in a drain layer of gravel of approx. 10 cm thickness between the bottom of the posts and plain base of foundation.
4. Insert reinforcing steel into the corresponding holes of the posts.
5. Place posts type A according to the corresponding number (see foundation layout) into the respective foundation hole. Play level mark (=aluminium blind rivet) complies with the installation depth. Align every post by means of the play level mark facing into the same direction (see detail or foundation layout).
- 6. For installation of the pre-assembled components and/or single parts, the screws slightly have to be lubricated with installation paste!**  
The sand box borderings below bench and infill barrier only have to be stuck into the respective drills of the corresponding posts.
- 7. Tighten all screws after having aligned all components.**  
Screw connections see details in attached list.
8. Grout foundations with compressed concrete C20/25, chamfer and round off the edges, cover the foundations with a surface which meets the requirements for impact attenuation so that the critical fall height of the surfacing is equal to, or greater than, the free height of fall of the equipment (acc. to EN 1176-1).
9. Release for play after concrete foundations have set.
10. According to maintenance instructions, check all screw connections after 4-5 weeks and retighten, if necessary.

Please ensure that all special tools supplied (e.g. Allen key for secured Allen screws etc.) and all specific documents which are or may be useful for safety management acc. to EN 1176-7 (e.g. invoice, delivery note, order acknowledgement, installation instructions, maintenance instructions) are forwarded to the persons responsible.

**Necessarily insert all attachment parts before tightening the screws. It is NOT possible to insert them afterwards.**



<u>parts list</u>		030230500	GB
item no.	quantity	description	image
1270364	1	set of 8 stainless steel posts for 030230500 with stainless steel post cap / blue RAL 5015	
1210054	4	double timber sand enclosing element 0,80 m	
1210055	2	triple timber sand enclosing element 0,80 m	
1210057	2	triple timber sand enclosing element 1,60 m	
1220011	2	yellow HPL bench seat 1,60 m / curved form	
1210065	4	yellow infill panel 0,80 x 0,30 m with bent tube	

<u>parts list</u>		030230500	GB
item no.	quantity	description	image
1210008	2	infill panel 0,80 m x 0,80 m / blue HPL 3 cut-outs	
1220012	2	seat plate type1 / 0,80 m / red HPL	
1240075	1	gable roof 45° / 1,60 m x 0,80 m/ blue HPL	
1292829	1	fastening kit for 030230500	

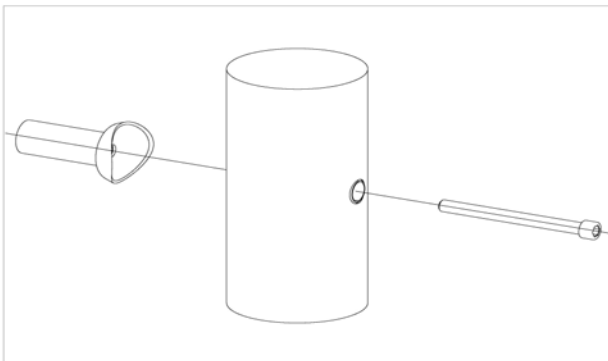
Item: **030230500**  
 K&K Sand play space  
 Location:

Order:

1292829

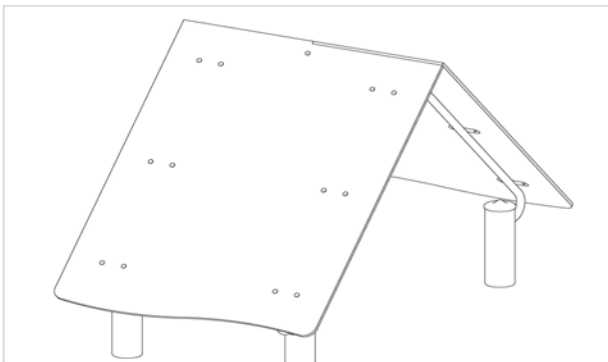
Building Project:

**32 x SFES1210001 Standard bolting of attachment parts (except platforms) to stainless steel posts**



per SC	Total	K&K-Item	Marking
1 x	32 x	2030168	Cheese head screw with pin M12x140

**1 x SFAS1240005 Gable roof 1.6 m x 0.8 m HPL plates at stay tubes and bolted down angle brackets on the inside**



per SC	Total	K&K-Item	Marking
26 x	26 x	3430014	Washer Ø 10,5 DIN 125 B A2
1 x	1 x	6240001	Corner plate for gable roof 90°
26 x	26 x	3430011	Hexagon cap nut M10 DIN986 A2
26 x	26 x	3400138	mushroom head screw square neck M10x30 DIN 60

**8 x SFES1270001 Reinforcing steel for stainless steel posts**



per SC	Total	K&K-Item	Marking
2 x	16 x	2130000	Reinforcing steel Ø 10 x 310 DIN 488

**1 x SFWZ0000009 Hexagon insert socket driver 10mm 1/2" with borehole for Pin**



per SC	Total	K&K-Item	Marking
1 x	1 x	2030170	Hexagon insert socket driver 10 mm 1/2" with drill hole for Pin

Item: **030230500**

Order:

1292829

K&K Sand play space

Location:

Building Project:

**1 x SFWZ0000013 Lubricating metal, twin bag (2 x 4 g)**



per SC	Total	K&K-Item	Marking
2 x	2 x	5300024	Metaflux fitting lubricant 2x4 g