

First of all, install the pre-assembled components in the sections marked with an X.

1. Assign a device location considering the space requirements (impact area).
2. Excavate soil for foundations, according to drawing.
Please note: To achieve maximum stability and safe installation, a moderate level of soil solubility is required.
3. Pour in a drain layer of gravel of approx. 10 cm thickness between the bottom of the tubular pedestals and plain base of foundation.
4. Insert reinforcing steel into the corresponding holes of the tubular pedestals.
5. Place posts type A (see foundation layout) according to the corresponding number into the respective foundation hole. Play level mark (=aluminium blind rivet) complies with the installation depth. Align every post by means of the play level mark facing into the same direction (see detail or foundation layout).

6. For installation of the pre-assembled components and/or single parts, the screws slightly have to be lubricated with installation paste!

The sand box borderings below bench and infill barrier only have to be stuck into the respective drills of the corresponding posts.

Tighten all screws after having aligned all components.

Screw connections see details in list of screw connections attached.

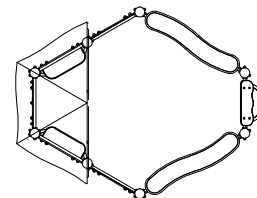
We recommend not to insert the protection caps enclosed before first maintenance as they are only suitable for one-time use (see description in item No. 9).

7. Grout foundations with compressed concrete C20/25, chamfer and round off the edges, cover the foundations with a surface which meets the requirements for impact attenuation so that the critical fall height of the surfacing shall be equal to, or greater than, the free height of fall of the equipment (acc. to EN 1176-1).
8. Release for play after concrete foundations have set.
9. Check all screw connections acc. to maintenance instructions after 4-5 weeks and retighten, if necessary. Afterwards cover the screw heads with protection caps as follows: Insert grey protection caps into the countersunk drills (e.g. for posts). The non-countersunk drills (e.g. for railings or a slide) have to be covered with the red protection caps by placing them onto the base part. Strongly pound them (e.g. by using a plastic mallet) until they audibly snap into the base part groove.

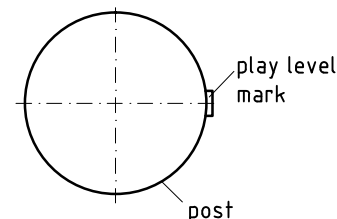
Please ensure that all special tools supplied (e.g. Allen key for secured Allen screws etc.) and all specific documents which are or may be useful for safety management acc. to EN 1176-7 (e.g. invoice, delivery note, order acknowledgement, installation instructions, maintenance instructions) are forwarded to the persons responsible.

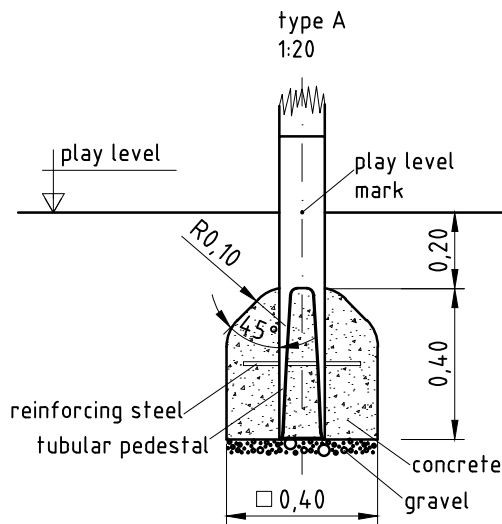
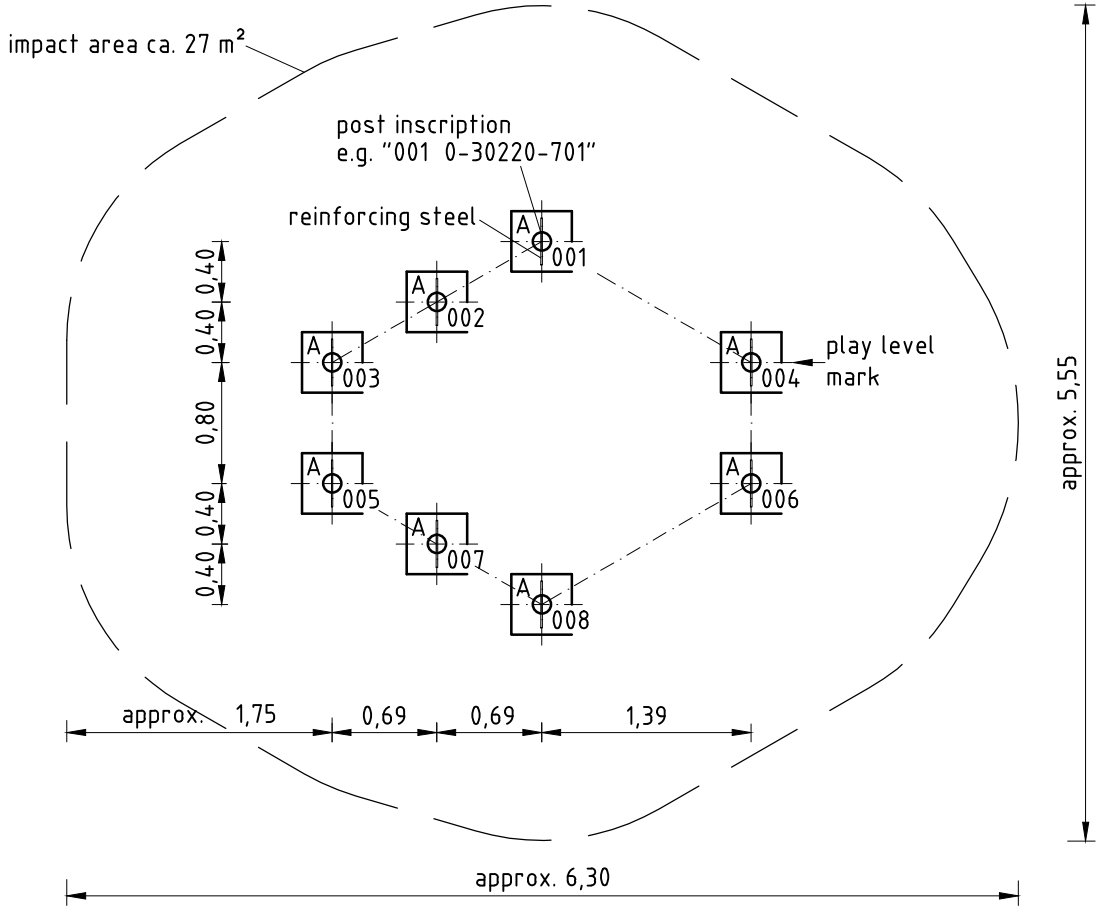
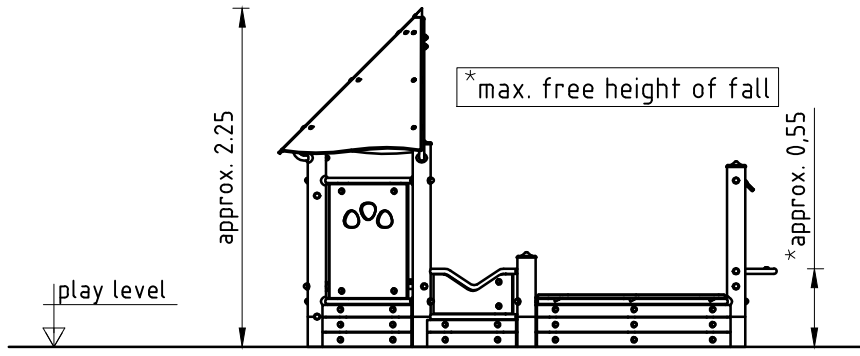
Necessarily insert all attachment parts before tightening the screws. It is NOT possible to insert them afterwards.

top view
1:100



detail of play level mark
1:5





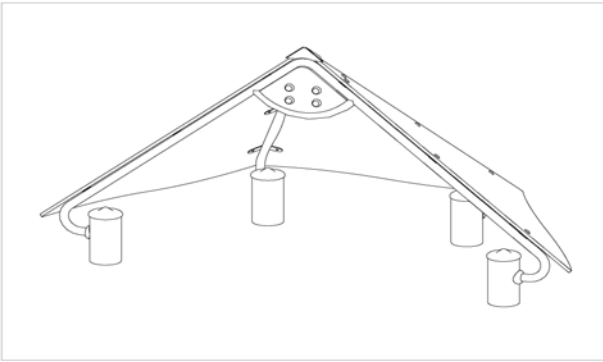
Item: **0-30220-701**
 K&K Sand Playspace
 Location:

Order:

1298867

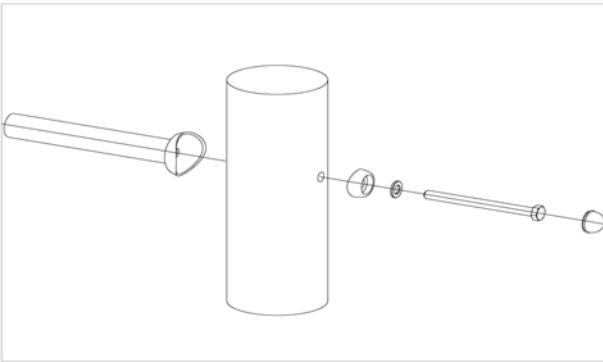
Building Project:

**1 x SFAS1240011 Half tent roof 3 x 0.8 m
 HPL-plates at stay tubes and lantern tower onto HPL-plates**



per SC	Total	K&K-Item	Marking
18 x	18 x	3430011	Hexagon cap nut M10 DIN986 A2
1 x	1 x	3430102	Washer Ø 8.4 DIN9021 A2
1 x	1 x	6240030	Dome 1/2 tent roof 6 x 45° HPL
1 x	1 x	3400673	Dome head security bolt M8 x 20 Resistorx A2
18 x	18 x	3430014	Washer Ø 10,5 DIN 125 B A2
18 x	18 x	3400138	Mushroom head screw square neck M10x30 DIN 60

**36 x SFRS1210001 Standard bolting for parapet, handrail,
 slide etc. at robinia posts**



per SC	Total	K&K-Item	Marking
1 x	36 x	3300055	Screw cap - upper part M12 P2 colour red/RAL 2002 PA6
1 x	36 x	3300054	Screw cap - lower part, domed M12 colour red/RAL 2002 PA6
1 x	36 x	3430025	Washer Ø 13 DIN125 A2
1 x	36 x	3400702	Hexagon head cap screw M12 x 160 DIN931 A2 with screw security coating FGB red

8 x SFES1270007 Reinforcing steel for tubular pedestals



per SC	Total	K&K-Item	Marking
1 x	8 x	2130000	Reinforcing steel Ø 10 x 310 DIN 488

1 x SFWZ0000001 Security TORX wrench TR40

per SC	Total	K&K-Item	Marking
1 x	1 x	3490081	Security TORX wrench TR40



Item: **0-30220-701**
K&K Sand Playspace

Order:

1298867

Location:

Building Project:

1 x SFWZ0000012 Lubricating metal (30g box) incl. brush



per SC	Total	K&K-Item	Marking
1 x	1 x	5300039	Lubricating metal box à 30g
1 x	1 x	5200026	Brush for lubricating metal