

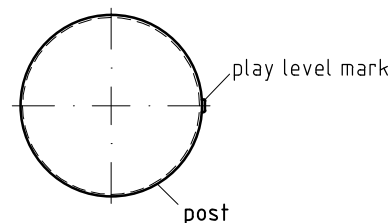
First of all, install the pre-assembled components in the sections marked with an X.

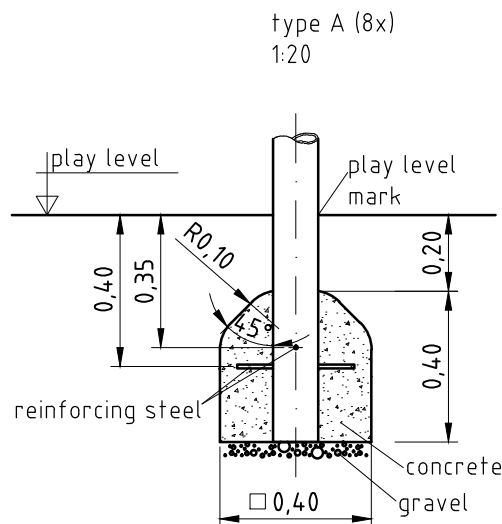
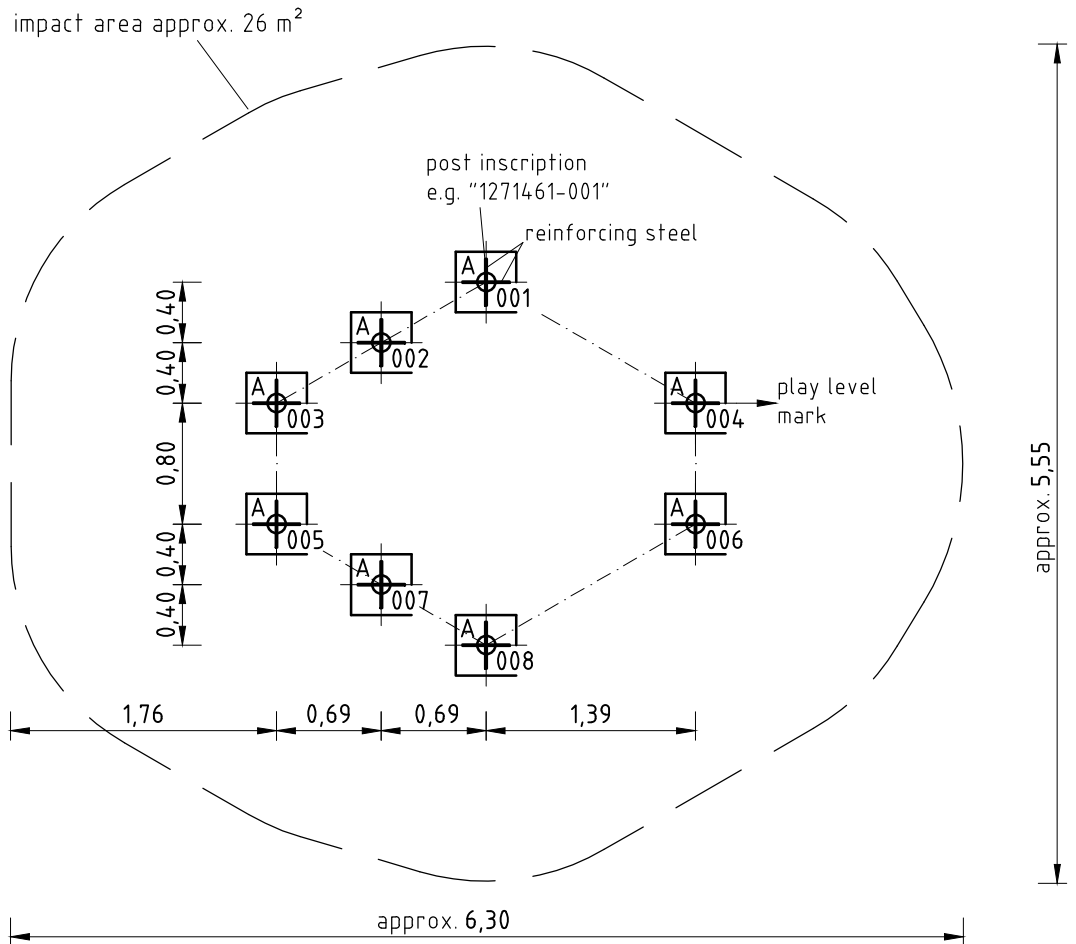
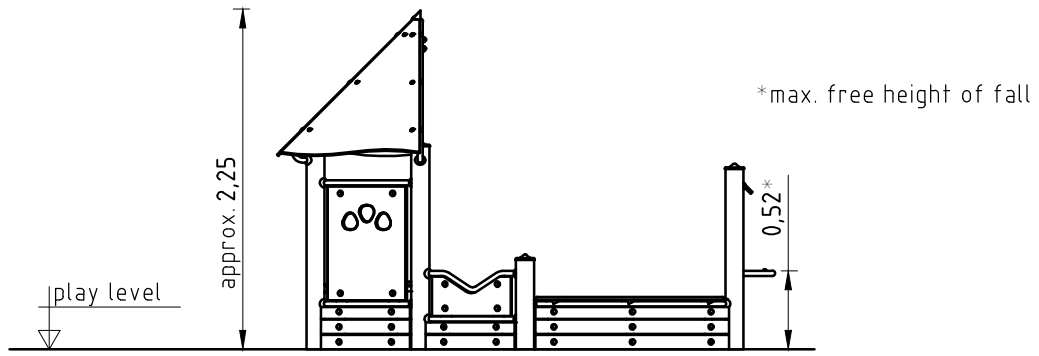
1. Assign a device location considering the space requirements (impact area). Slide direction recommended: north-east or in half-shade of trees.
2. Excavate soil for foundations, according to drawing.  
Please note: To achieve maximum stability and a safe installation, a moderate level of soil solubility is required.
3. Pour in a drain layer of gravel of approx. 10 cm thickness between the bottom of the posts and plain base of foundation.
4. Insert reinforcing steel into the corresponding holes of the posts.
5. Place posts type A according to the corresponding number (see foundation layout) into the respective foundation hole. Play level mark (=aluminium blind rivet) complies with the installation depth. Align every post by means of the play level mark facing into the same direction (see detail or foundation layout).
- 6. For installation of the pre-assembled components and/or single parts, the screws slightly have to be lubricated with installation paste!**  
The sand box borderings below bench and infill barrier only have to be stuck into the respective drills of the corresponding posts.
- 7. Tighten all screws after having aligned all components.**  
Screw connections see details in attached list.
8. Grout foundations with compressed concrete C20/25, chamfer and round off the edges, cover the foundations with a surface which meets the requirements for impact attenuation so that the critical fall height of the surfacing is equal to, or greater than, the free height of fall of the equipment (acc. to EN 1176-1).
9. Release for play after concrete foundations have set.
10. According to maintenance instructions, check all screw connections after 4-5 weeks and retighten, if necessary.

Please ensure that all special tools supplied (e.g. Allen key for secured Allen screws etc.) and all specific documents which are or may be useful for safety management acc. to EN 1176-7 (e.g. invoice, delivery note, order acknowledgement, installation instructions, maintenance instructions) are forwarded to the persons responsible.

**Necessarily insert all attachment parts before tightening the screws. It is NOT possible to insert them afterwards.**

detail of play level mark  
1:5





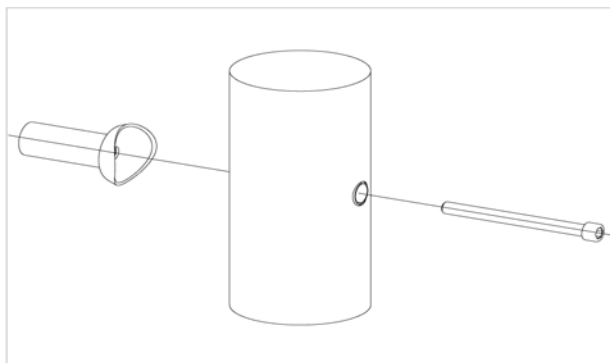
Item: **0-30220-501**  
 K&K Sand play space  
 Location:

Order:

1292384

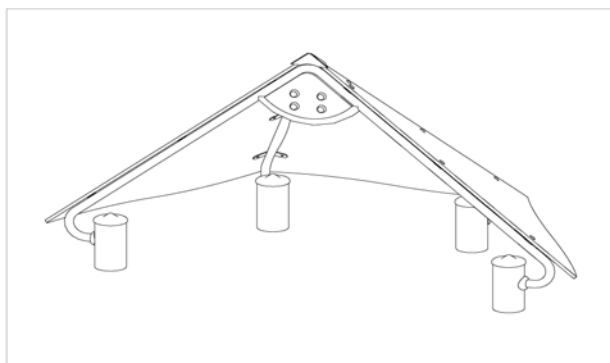
Building Project:

**38 x SFES1210001 Standard bolting of add-on pieces for fastening of ES120 add-on pieces at steel posts (except platforms)**



per SC	Total	K&K-Item	Marking
1 x	38 x	2030168	Cheese head screw M12x140 with pin for fastening of ES120-add-on pieces at steel posts (except platforms)

**1 x SFAS1240011 Half tent roof 3 x 0.8 m HPL-plates at stay tubes and lantern tower onto HPL-plates**



per SC	Total	K&K-Item	Marking
18 x	18 x	3430014	Washer Ø 10,5 DIN 125 B A2
1 x	1 x	3400673	Dome head security screw M8 x 20 Resistorx A2
1 x	1 x	6240030	Dome 1/2 tent roof 6 x 45° HPL
1 x	1 x	3430102	Washer Ø 8.4 DIN9021 A2
18 x	18 x	3430011	Hexagon cap nut M10 DIN986 A2
18 x	18 x	3400138	Mushroom head screw square neck M10x30 DIN 60

**8 x SFES1270001 Reinforcing steel for stainless steel posts**



per SC	Total	K&K-Item	Marking
2 x	16 x	2130000	Reinforcing steel Ø 10 x 310 DIN 488

**1 x SFWZ0000001 Security TORX wrench TR40**

per SC	Total	K&K-Item	Marking
1 x	1 x	3490081	Security TORX wrench TR40



Item: **0-30220-501**

Order:

1292384

K&K Sand play space

Location:

Building Project:

**1 x SFWZ0000009 Hexagon insert socket driver 10mm 1/2"  
with borehole for Pin**



per SC	Total	K&K-Item	Marking
1 x	1 x	2030170	Hexagon insert socket driver 10 mm 1/2" with drill hole for Pin

**1 x SFWZ0000012 Lubricating metal (30g box) incl. brush**



per SC	Total	K&K-Item	Marking
1 x	1 x	5300039	Lubricating metal box à 30g
1 x	1 x	5200026	Brush for lubricating metal