

1. Assign a location for the equipment considering the space requirements (impact area).
Excavate soil for foundations, according to drawing.
Please note: To achieve maximum stability and safe installation, a moderate level of soil solubility is required.
2. Pour in a drain layer of gravel of approx. 10 cm thickness between the bottom of the tubular pedestals and plain base of foundation.
3. Insert reinforcing steel into the corresponding holes of the tubular pedestals.
4. Place posts type A (see foundation layout) according to the corresponding number into the respective foundation hole. Play level mark (=aluminium blind rivet) complies with the installation depth. Align vertical posts by means of the play level mark facing into the same direction (see detail or foundation layout).

5. For installation of the pre-assembled components and/or single parts, the screws slightly have to be lubricated with installation paste!

Tighten all screws after having aligned all components.

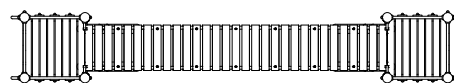
Screw connections see details in attached list.

We recommend not to insert the protection caps enclosed before first maintenance as they are only suitable for one-time use (see description in item No. 8).

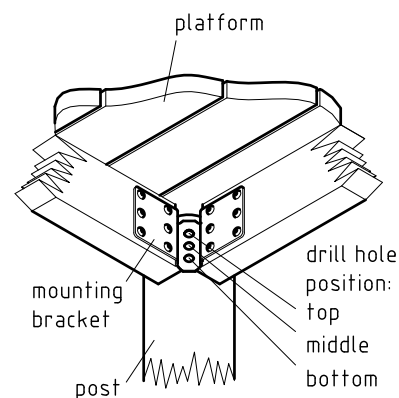
6. Grout foundations with compressed concrete C20/25, chamfer and round off the edges, cover the foundations with a surface which meets the requirements for impact attenuation so that the critical height of the surfacing is equal to or greater than the free height of fall of the equipment (acc. to EN 1176-1).
7. Release for play after concrete foundations have set.
8. Check all screw connections acc. to maintenance instructions after 4-5 weeks and retighten if necessary. Afterwards cover the screw heads with protection caps as follows: Insert grey protection caps into the countersunk drills. The non-countersunk drills have to be covered with the red protection caps by placing them onto the base part. Strongly pound them (e.g. by using a plastic mallet) until they audibly snap into the base part groove.
Please ensure that all special tools (e.g. special Allen key for secured Allen screws etc.) and all specific documents which are or may be useful for safety management acc. to EN 1176-7 (e.g. invoice, delivery note, order acknowledgement, installation instructions, maintenance instructions) are forwarded to the persons responsible.

**Necessarily insert all attachment parts before tightening the screws.
It is NOT possible to insert them afterwards.**

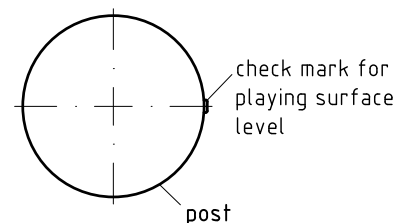
platform alignment
1:100

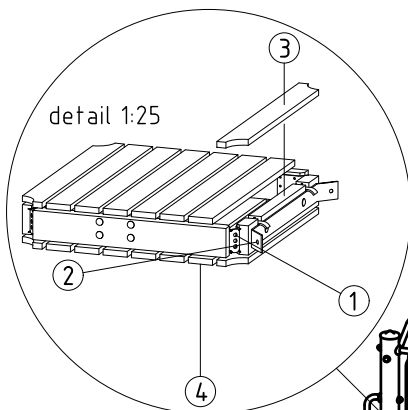


platform fastening
1:10

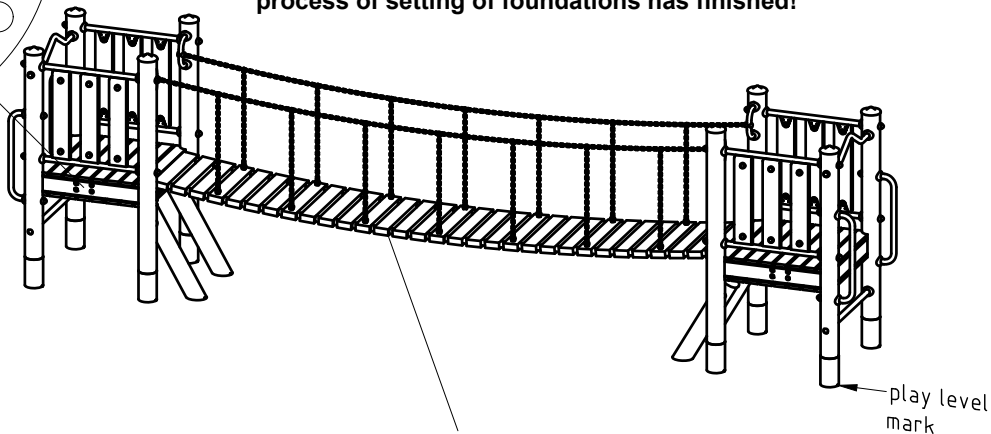


detail of check mark
1:5





Attention: Mount suspended bridge after process of setting of foundations has finished!



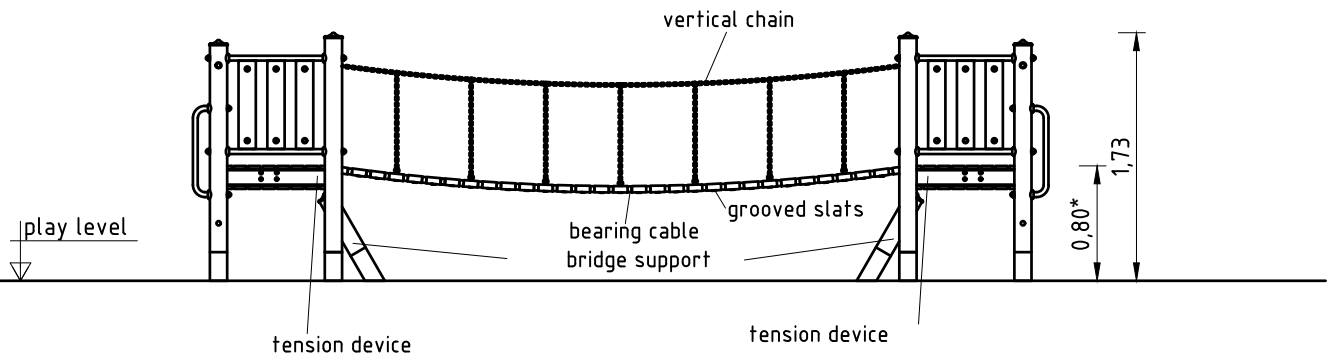
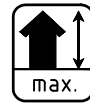
The grooved course slats laid onto two bearing wires must be secured against movement by fixing the small metal plates provided with round-head wood screws (see attached list of screw cases).

(For further details see attached list):

1. Fasten platforms to the posts by using the upper hole in the mounting brackets (each with 4x cylinder screw with pin -M12 x 125-A2; 4x prevailing torque type nut DIN 985-M12-A2, platform side).
2. Keep in mind that for posts 002 and 006 plus 003 and 007, the drilled hole in the flat bar (bearer cable support) is positioned 20 mm lower (level with the middle hole in the mounting brackets for the platform fastening): each with 2x cylinder screw with pin-M12x130-A2; post sided washer DIN 1440-14-A2; prevailing torque type cap nut DIN 985-M12-A2.
3. Before inserting the tensioning screws through the cable guidance into the tensioning device (rectangular tube) below the platform, the first slat at the platform edge must be unscrewed.
After concrete foundations have set, adjust sag of the suspension bridge such that the chains hang freely; any load or weight must only be carried by the suspension cables.
4. After tensioning the suspension cables, the square platforms must be covered by wooden slats from below (97 x 30) with wood screws (Spax 5,0x70-Torx-A2). The delivery includes the pre-drilled slats numbered with reference to the corresponding platform.

Space occupied by equipment
5,96 x 0,97 x 1,73 m

dimension mark - total height of the equipment

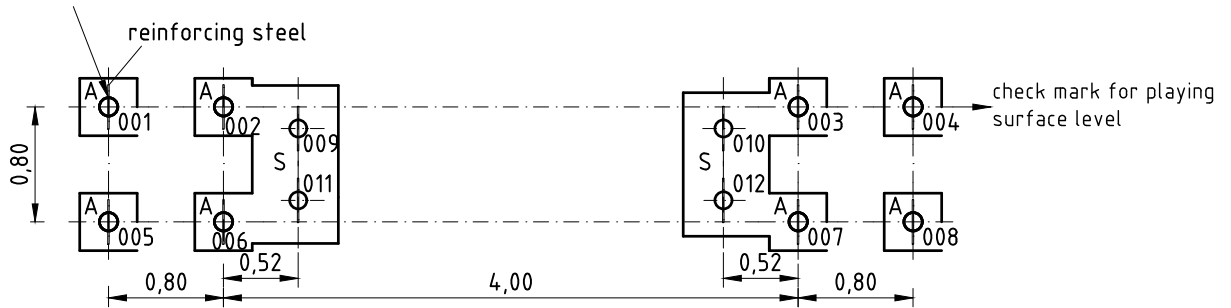


dimension mark - maximum free height of fall

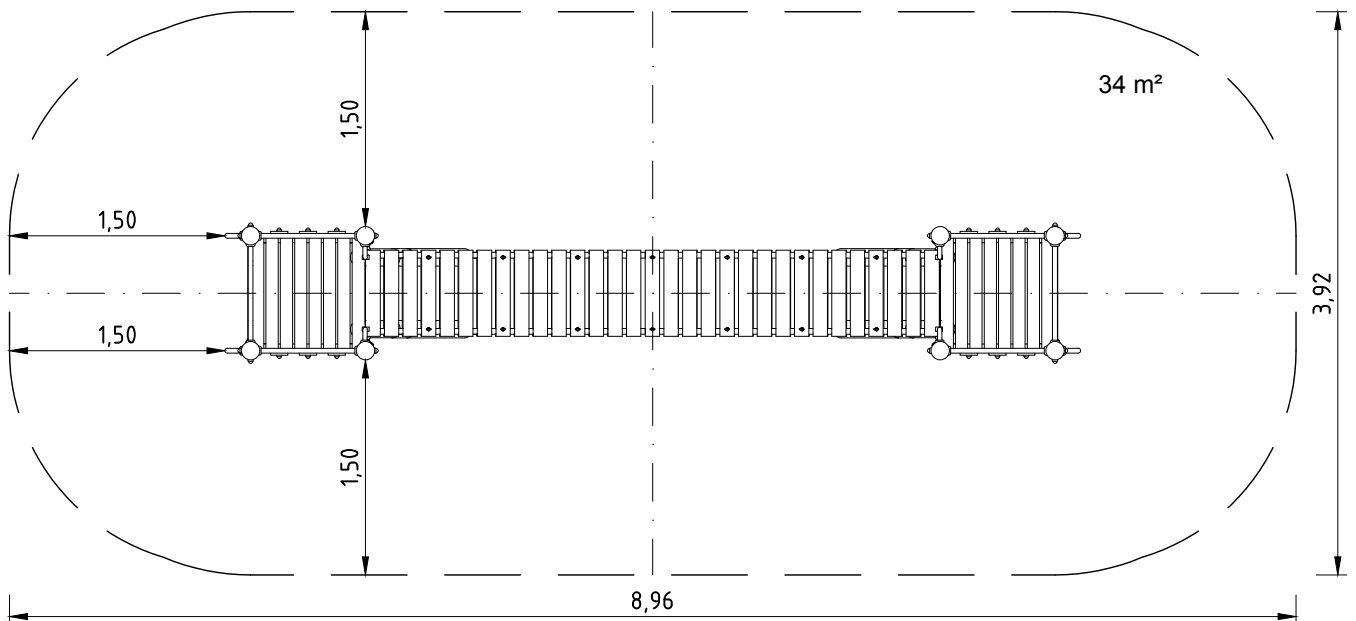


Foundation layout

post inscription e.g.
"001 0-28181-701"



Minimum space
8,96 x 3,92 x 1,73 m



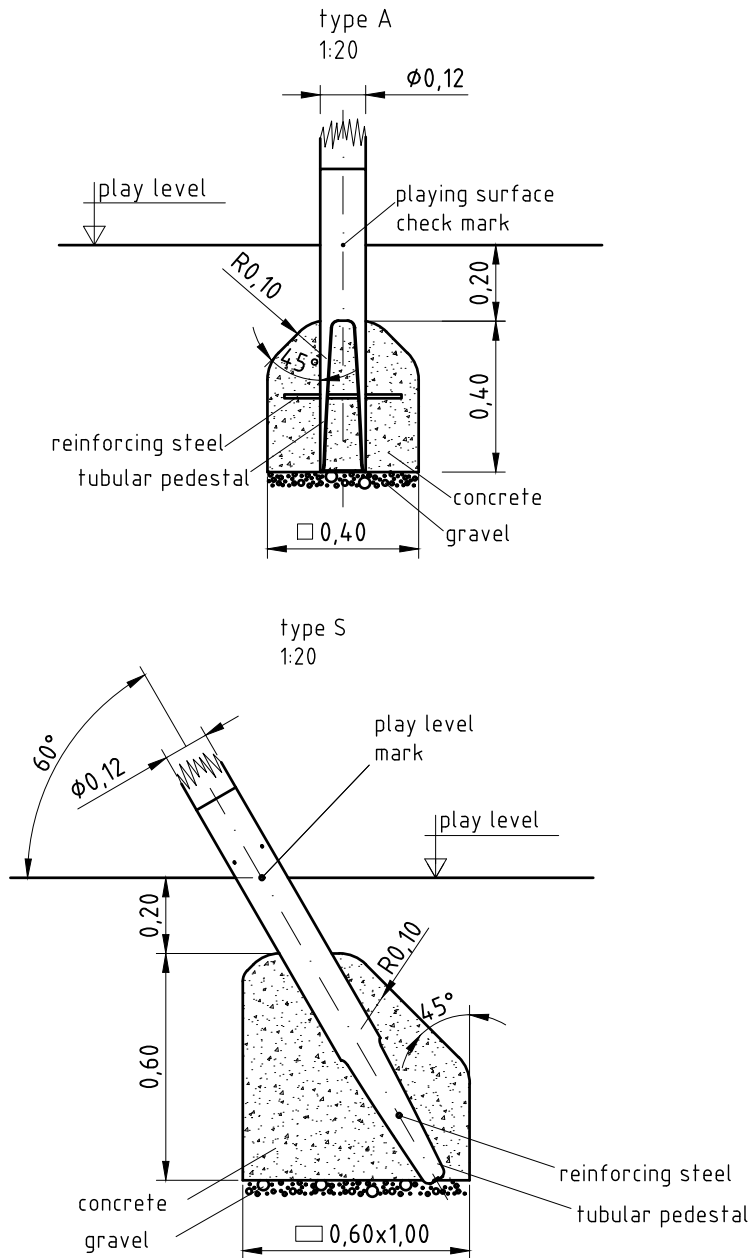
Please note:

Due to the format size, this installation is not to scale (apart from single details).

Please refer to the dimensions indicated.

An installation documentation scale 1:50 can be submitted on request.

Detailed view

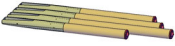
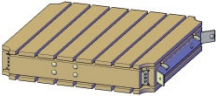



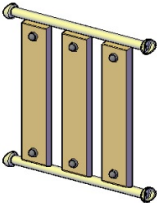


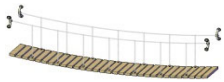
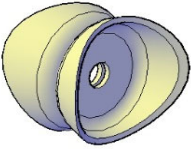
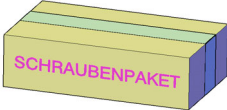
Foundations (on site)

8x $0,40 \times 0,40 \times 0,40$ m
 2x $0,60 \times 1,00 \times 0,40$ m

(approximate) concrete needs

1 m³

<u>Parts list</u>		028181701	GB
item no.	quantity	description	image
	1	set of (12 pcs.) laminated Robinia posts Ø 120 equipped with stainless steel tubular pedestal short length = 600/800 mm / with bottom cut-outs and protective stainless steel post cap	
1200021	2	square platform 0,80 m x 0,80 m	
1210358	2	bowed guardrail 0,80 m	
1210359	2	horizontal bar/ladder rung 0,80 m	
1210047	4	vertical stainless steel handle 0,60 m	
1210109	4	timber infill barrier 0,80 m x 0,65 m	

<u>Parts list</u>		028181701	GB
item no.	quantity	description	image
1200025	1	suspension bridge 4,00 m	
6200053	2	pair of twin sheet metal fastening elements	
1298864	1	fastening kit for 0-28181-701	

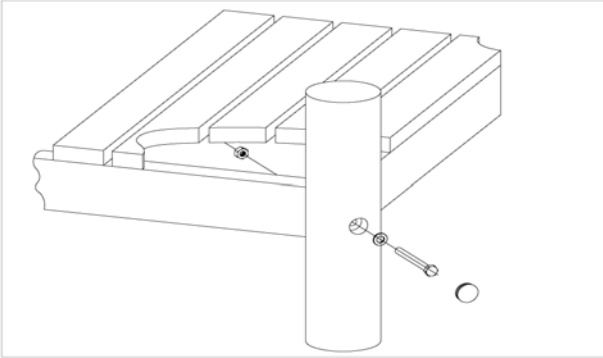
Item: 0-28181-701
 K&K Bridge combination

Order:

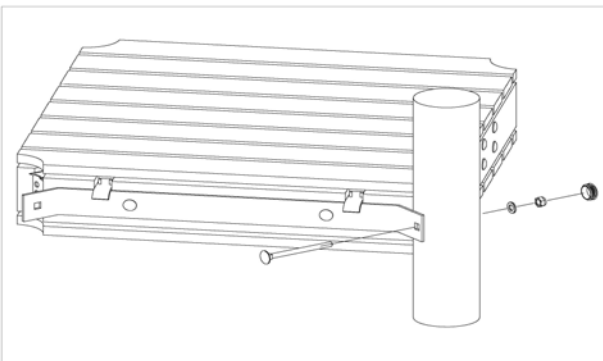
1298864

Location:

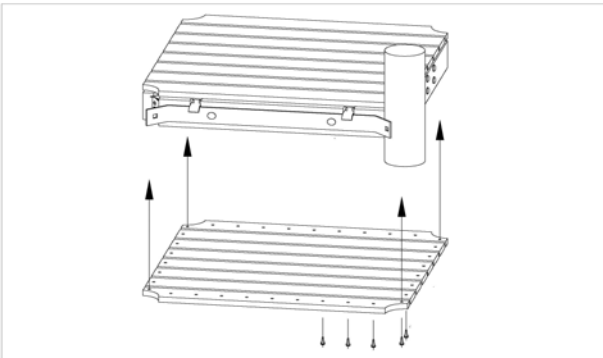
Building Project:

8 x SFRS1200001 Platform at robinia posts, nut on platform side


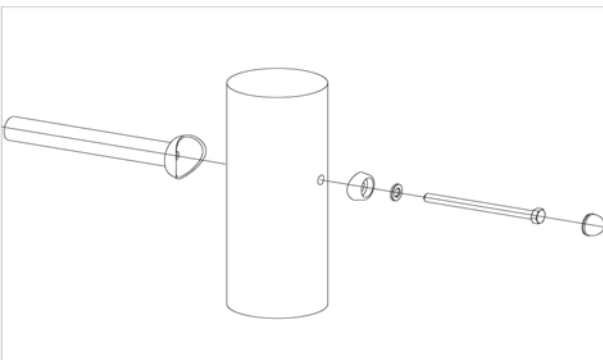
per SC	Total	K&K-Item	Marking
1 x	8 x	3400700	Hexagon head screw M12 x 120 DIN931 A2 with screw security coating/FGB red
1 x	8 x	3300016	Grey domed plastic cover cap SL 36 G
1 x	8 x	3430129	Washer Ø 14 DIN1440 A2
1 x	8 x	3430021	Lock nut M12 DIN985 A2

4 x SFRS1200007 rope-leading at platform for suspending bridge at robinia post


per SC	Total	K&K-Item	Marking
1 x	4 x	3430021	Lock nut M12 DIN985 A2
1 x	4 x	3300016	Grey domed plastic cover cap SL 36 G
1 x	4 x	3430129	Washer Ø 14 DIN1440 A2
1 x	4 x	3400469	Mushroom head screw M12 x 120 DIN603 A2

2 x SFAS1200015 Underpart surfacing of square platform 0.8 x 0.8 m Tensioning device for suspended bridge.


per SC	Total	K&K-Item	Marking
38 x	76 x	3410055	SPAX pozi drive screw Ø 5.0 x 70 Torxf® A2 with partial thread

32 x SFRS1210001 Standard bolting for parapet, handrail, slide etc. at robinia posts


per SC	Total	K&K-Item	Marking
1 x	32 x	3300054	Screw cap - lower part, domed M12 colour red/RAL 2002 PA6
1 x	32 x	3300055	Screw cap - upper part M12 P2 colour red/RAL 2002 PA6
1 x	32 x	3430025	Washer Ø 13 DIN125 A2
1 x	32 x	3400702	Hexagon head cap screw M12 x 160 DIN931 A2 with screw security coating FGB red

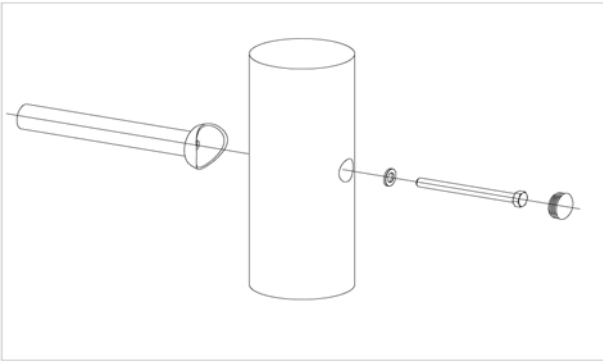
Item: 0-28181-701
 K&K Bridge combination

Order:

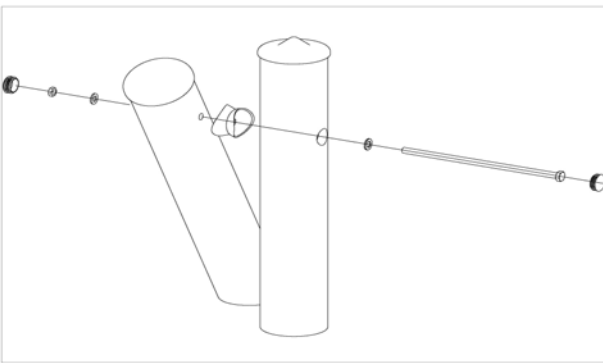
1298864

Location:

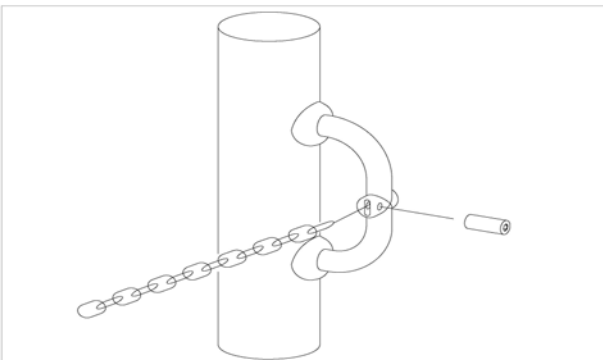
Building Project:

8 x SFRS1230004 Standard bolting of climbing bar, ramp etc. to robinia posts with countersunk holes


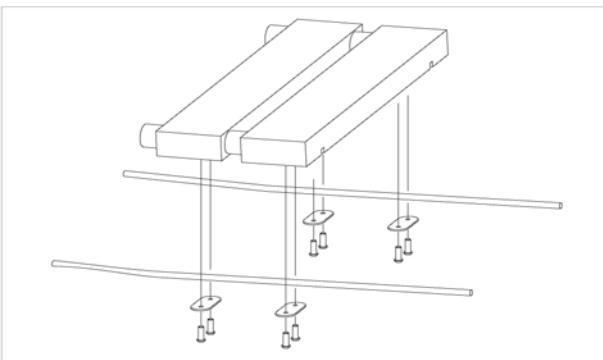
per SC	Total	K&K-Item	Marking
1 x	8 x	3430129	Washer Ø 14 DIN1440 A2
1 x	8 x	3300016	Grey domed plastic cover cap SL 36 G
1 x	8 x	3400701	Hexagon head cap screw M12 x 130 DIN931 A2 with screw retention coating/FGB red

4 x SFRS1200010 Robinia bridge-support-post at robinia post


per SC	Total	K&K-Item	Marking
1 x	4 x	3430021	Lock nut M12 DIN985 A2
1 x	4 x	3400486	Hexagon head cap screw M12 x 250 DIN931 A2
2 x	8 x	3430129	Washer Ø 14 DIN1440 A2
2 x	8 x	3300016	Grey domed plastic cover cap SL 36 G

4 x SFAS1200006 handrail chain for suspended bridge at chain adapter


per SC	Total	K&K-Item	Marking
1 x	4 x	3400676	Oval head security bolt M8 x 25 Resistorx A2

1 x SFAS1200009 course timbers for suspended bridge (4,00 m) on bridge support rope


per SC	Total	K&K-Item	Marking
96 x	96 x	3410056	Round head wood screw 6 x 30 A2 Torx 25/30 DIN 40096
48 x	48 x	2000931	Strap (closure) for suspended bridge 1.4301 metall spinned and vibratory grinded

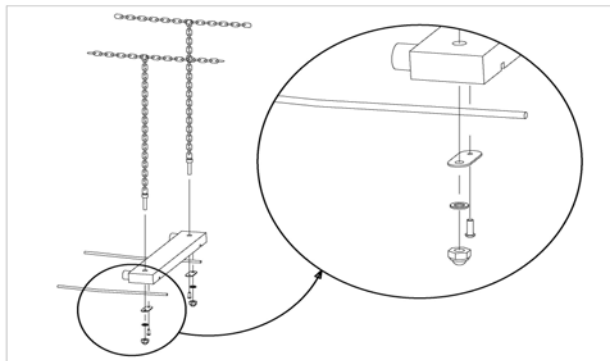
Item: **0-28181-701**
K&K Bridge combination

Order:

1298864

Location: Building Project:

1 x SFAS1200012 course timbers/handrail chain for suspended bridge (4,00 m) on bridge support rope



per SC	Total	K&K-Item	Marking
14 x	14 x	3430051	Hexagon cap nut M12 DIN 986 A2
14 x	14 x	3430025	Washer Ø 13 DIN125 A2
14 x	14 x	3410056	Round head wood screw 6 x 30 A2 Torx 25/30 DIN 40096
14 x	14 x	2000930	Strap (suspending) for bridge 1.4301 spinned and vibratory grinded

12 x SFES1270007 Reinforcing steel for stainless steel posts or tubular pedestals



per SC	Total	K&K-Item	Marking
1 x	12 x	2130000	Reinforcing steel Ø 10 x 310 DIN 488

1 x SFWZ0000001 Security TORX wrench TR40



per SC	Total	K&K-Item	Marking
1 x	1 x	3490081	Security TORX wrench TR40

1 x SFWZ0000012 Lubricating metal (30g box) incl. brush



per SC	Total	K&K-Item	Marking
1 x	1 x	5300039	Lubricating metal box à 30g
1 x	1 x	5200026	Brush for lubricating metal