

**Attention:
Mount suspension bridge after
concrete setting process!**

The grooved slats laid onto two suspension cables must be secured against movement by fixing the small metal plates provided with round-head wood screws (see detail on attached list).

(For further details see attached list):

1. Fasten platforms to the posts by using the upper hole in the mounting brackets (each with 4x cylinder screw with pin -M12 x 125-A2; 4x prevailing torque type nut DIN 985-M12-A2, platform side).
2. Keep in mind that for posts 002 and 006 plus 003 and 007, the drilled hole in the flat bar (bearer cable support) is positioned 20 mm lower (level with the middle hole in the mounting brackets for the platform fastening): each with 2x cylinder screw with pin-M12x130-A2; post sided washer DIN 1440-14-A2; prevailing torque type cap nut DIN 985-M12-A2.
3. Before inserting the tensioning screws through the cable guidance into the tensioning device (rectangular tube) below the platform, the first slat at the platform edge must be unscrewed.
After concrete foundations have set, adjust sag of the suspension bridge such that the chains hang freely; any load or weight must only be carried by the suspension cables.
4. After tensioning the suspension cables, the square platforms must be covered by wooden slats from below (97 x 30) with wood screws (Spax 5,0x70-Torx-A2). The delivery includes the pre-drilled slats numbered with reference to the corresponding platform.

1. Assign a device location considering the space requirements (impact area).
2. Excavate soil for foundations, according to drawing.
Please note: To achieve maximum stability and a safe installation, a moderate level of soil solubility is required.
3. Pour in a drain layer of gravel of approx. 10 cm thickness between the bottom of the posts and plain base of foundation.
4. Insert reinforcing steel into the corresponding holes of the posts.
5. Place posts type A according to the corresponding number (see foundation layout) into the respective foundation hole. Play level mark (=aluminium blind rivet) complies with the installation depth. Align every post by means of the play level mark facing into the same direction (see detail or foundation layout).

6. For installation of the pre-assembled components and/or single parts, the screws slightly have to be lubricated with installation paste!

Screw together platforms and posts by using the upper hole in the mounting brackets.

Tighten all screws after having aligned all components.

Screw connections see details in attached list.

7. Grout foundations with compressed concrete C20/25, chamfer and round off the edges, cover the foundations with a surface which meets the requirements for impact attenuation so that the critical fall height of the surfacing is equal to, or greater than, the free height of fall of the equipment (acc. to EN 1176-1).
8. Release for play after concrete foundations have set.
9. According to maintenance instructions, check all screw connections after 4-5 weeks and retighten, if necessary.

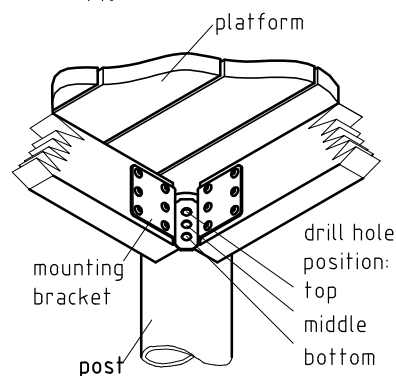
Please ensure that all special tools supplied (e.g. Allen key for secured Allen screws etc.) and all specific documents which are or may be useful for safety management acc. to EN 1176-7 (e.g. invoice, delivery note, order acknowledgement, installation instructions, maintenance instructions) are forwarded to the persons responsible.

Necessarily insert all attachment parts before tightening the screws. It is NOT possible to insert them afterwards.

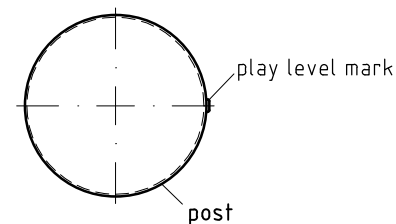
platform orientation
1:100

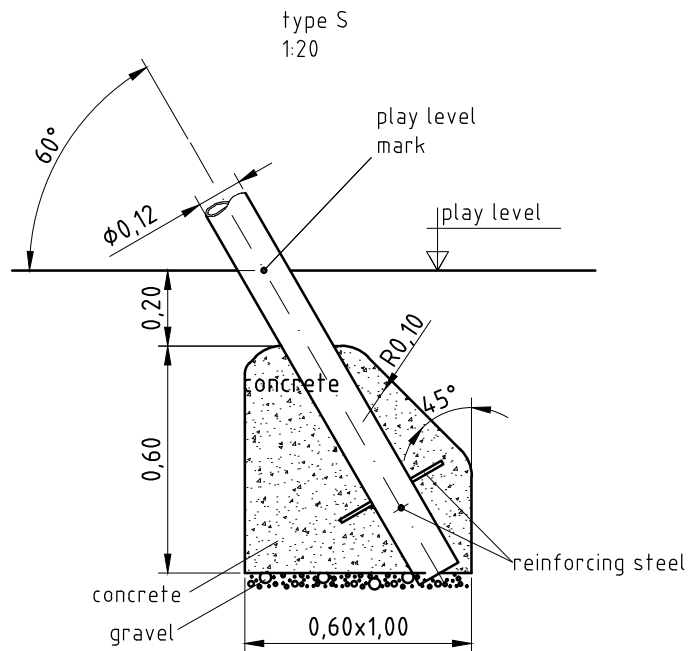
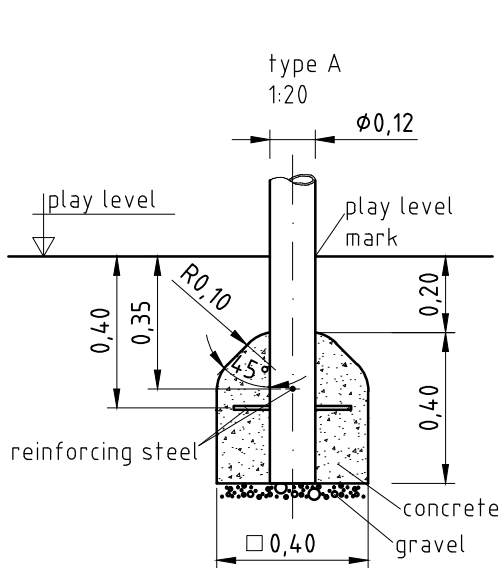
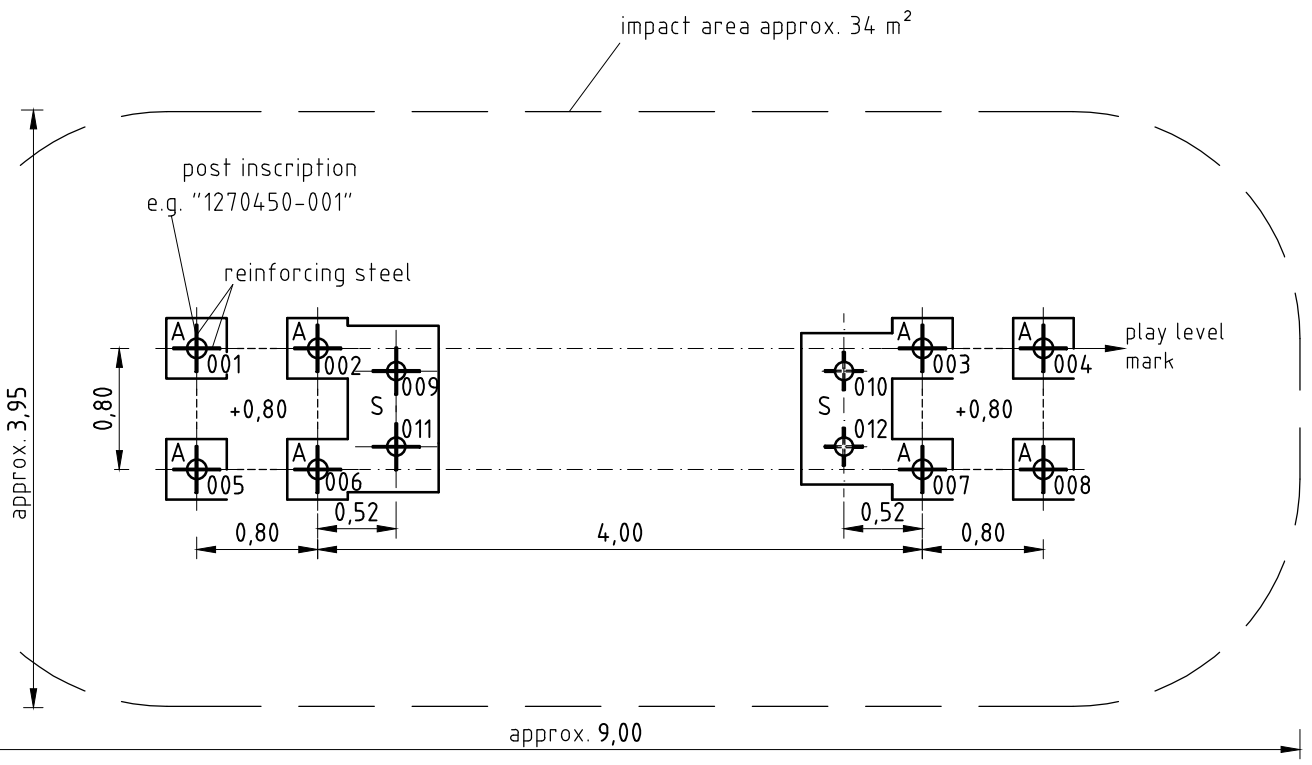
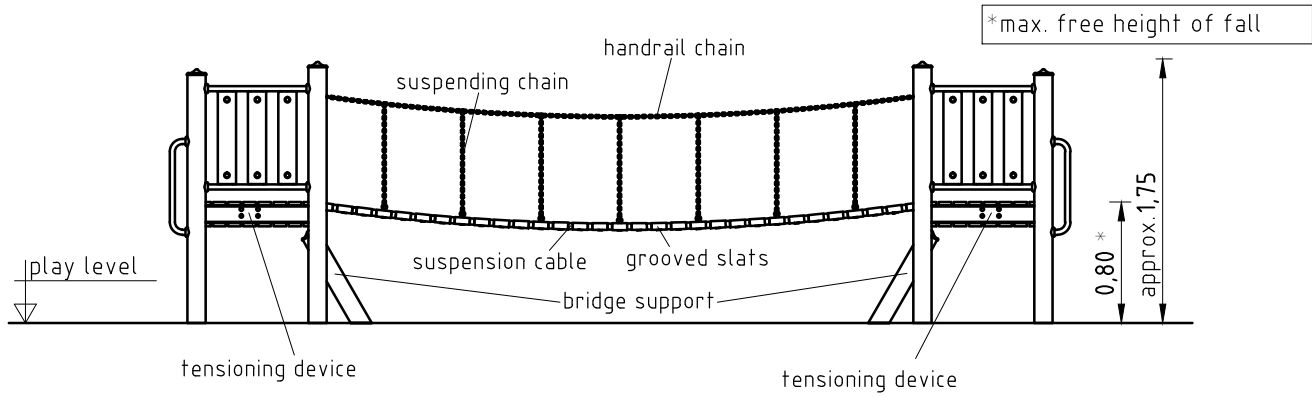


platform fastening
1:10



detail of play level mark
1:5





Item: **028181501**
K&K Bridge combination

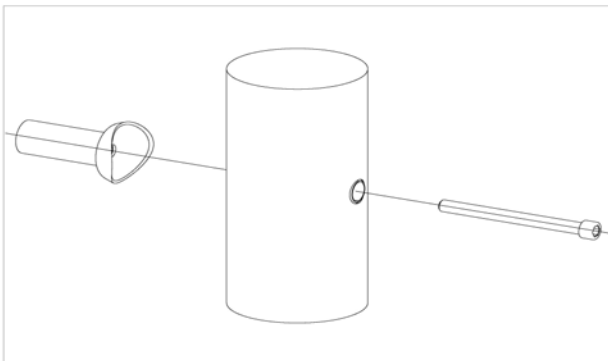
Order:

1292510

Location:

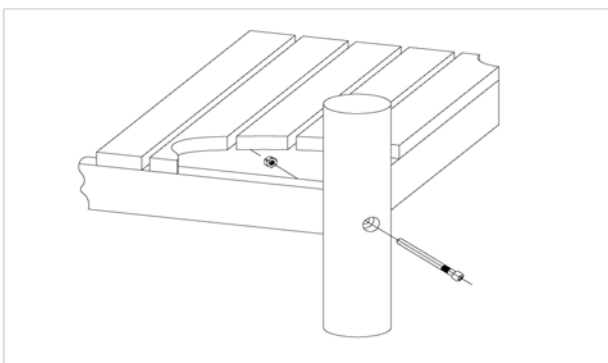
Building Project:

44 x SFES1210001 Standard bolting of attachment parts (except platforms) to stainless steel posts



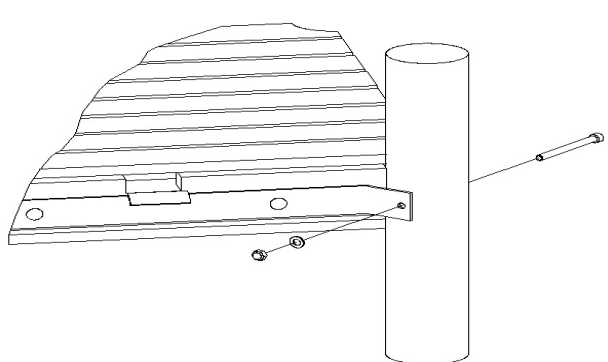
per SC	Total	K&K-Item	Marking
1 x	44 x	2030168	Cheese head screw with pin M12x140

8 x SFES1200001 Platform fastening to stainless steel post, nut on the side of the platform



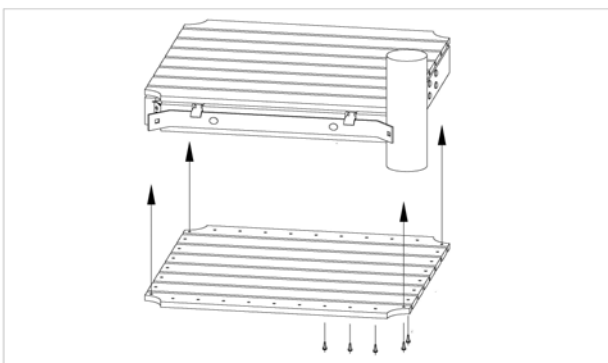
per SC	Total	K&K-Item	Marking
1 x	8 x	3430021	Lock nut M12 DIN985 A2
1 x	8 x	2030651	Cheese head screw with pin M12 x 125

4 x SFES1200008 Suspension bridge cable track duct at platform, fastening of sheet metal to stainless steel post



per SC	Total	K&K-Item	Marking
1 x	4 x	2030169	Cheese head screw with pin M12 x 130
1 x	4 x	3430129	Washer Ø 14 DIN1440 A2
1 x	4 x	3430051	Hexagon cap nut M12 DIN 986 A2

2 x SFAS1200015 Bottom cladding of square platforms 0,80 x 0,80 m with tensioning device for a suspension bridge



per SC	Total	K&K-Item	Marking
38 x	76 x	3410055	SPAX screw Ø 5,0 x 70 Torx A2 with partial thread

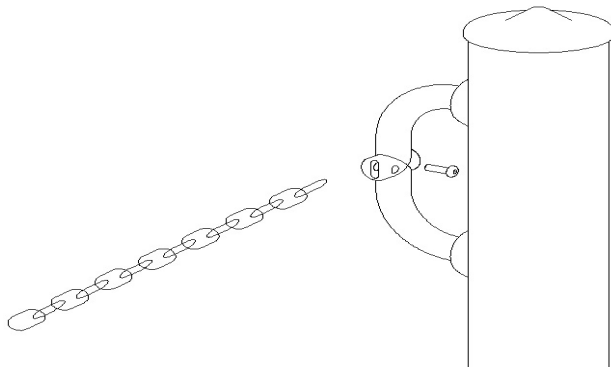
Item: **028181501**
 K&K Bridge combination
 Location:

Order:

1292510

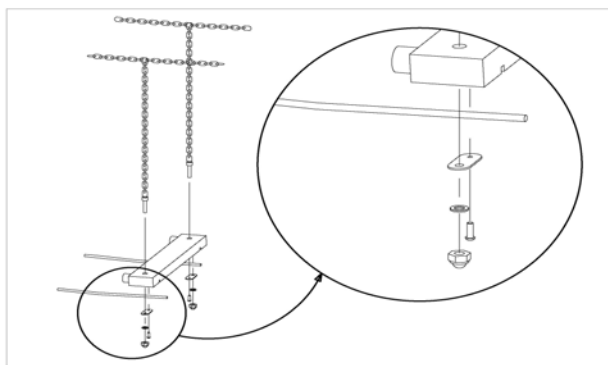
Building Project:

4 x SFAS1200006 Handrail chain for suspension bridge at chain adapter



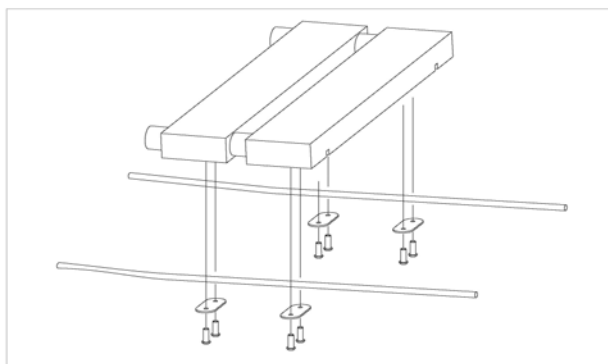
per SC	Total	K&K-Item	Marking
1 x	4 x	3400676	Oval head security bolt M8 x 25 Resistorx A2

1 x SFAS1200012 Suspension chain and wooden slats on supporting cable for suspension bridges



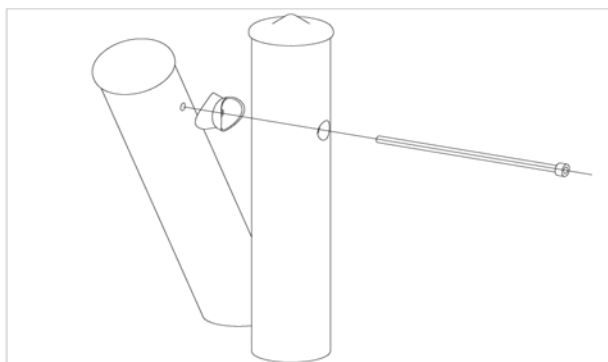
per SC	Total	K&K-Item	Marking
14 x	14 x	3430051	Hexagon cap nut M12 DIN 986 A2
14 x	14 x	3410056	Round head wood screw 6 x 30 DIN40096 A2 T25
14 x	14 x	3430025	Washer Ø 13 DIN125 A2
14 x	14 x	2000930	sheet metal strap for suspension chains and slats

1 x SFAS1200009 Wooden slats on suspension cables for suspension bridges



per SC	Total	K&K-Item	Marking
96 x	96 x	3410056	Round head wood screw 6 x 30 DIN40096 A2 T25
48 x	48 x	2000931	sheet metal closing strap for slats

4 x SFES1200011 Stainless steel support post with screw thread



per SC	Total	K&K-Item	Marking
1 x	4 x	2030247	Cheese head screw with pin M12 x 255

Item: **028181501**
K&K Bridge combination

Order:

1292510

Location:

Building Project:

12 x SFES1270001 Reinforcing steel for stainless steel posts



per SC	Total	K&K-Item	Marking
2 x	24 x	2130000	Reinforcing steel Ø 10 x 310 DIN 488

1 x SFWZ0000009 Hexagon insert socket driver 10mm 1/2" with borehole for Pin



per SC	Total	K&K-Item	Marking
1 x	1 x	2030170	Hexagon insert socket driver 10 mm 1/2" with drill hole for Pin

1 x SFWZ0000012 Lubricating metal (30g box) incl. brush



per SC	Total	K&K-Item	Marking
1 x	1 x	5300039	Lubricating metal box 30g
1 x	1 x	5200026	Brush for lubricating metal