

1. Assign a device location considering the space requirement (impact area).
2. Excavate soil for foundations, according to drawing.
Please note: To achieve maximum stability and a safe installation, a moderate level of soil solubility is required.
3. Pour in a drain layer of gravel of approx. 10 cm thickness between the bottom of the tubular pedestals and plain base of foundation.
4. Place posts type A (see foundation layout) according to the corresponding number into the respective foundation hole. Play level mark (=aluminium blind rivet) complies with the installation depth. Align every post by means of the play level mark facing into the same direction (see detail or foundation layout).
5. **For installation of the pre-assembled components and/or single parts, the screws slightly have to be lubricated with installation paste!**
Screw together platforms and posts by using the middle hole in the mounting brackets.

Tighten all screws after having aligned all components.

Screw connections see details in list of screw cases attached.

We recommend not to insert the protection caps enclosed before first maintenance as they are only suitable for one-time use (see description in item No. 8).

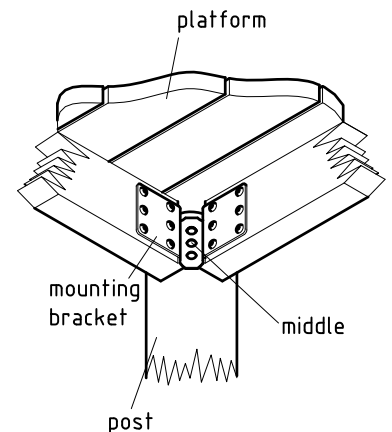
6. Grout foundations with compressed concrete C20/25, chamfer and round off the edges, cover the foundations with a surface which meets the requirements for impact attenuation so that the critical fall height of the surfacing is equal to, or greater than, the free height of fall of the equipment (acc. to DIN EN 1176-1).
7. Release for play after concrete foundations have set.
8. According to maintenance instructions, check all screw connections after 4-5 weeks and retighten, if necessary. Afterwards cover the screw heads with protection caps as follows: Insert grey protection caps into the countersunk drills (e.g. for a post). The non-countersunk drills (e.g. for railings) have to be covered with the red protection caps by placing them onto the base part. Strongly pound them (e.g. by using a plastic mallet) until they audibly snap into the base part groove.

Please ensure that all special tools supplied (e.g. Allen key for secured Allen screws etc.) and all specific documents which are or may be useful for safety management acc. to DIN EN 1176-7 (e.g. invoice, delivery note, order acknowledgement, installation instructions, maintenance instructions) are forwarded to the persons responsible.

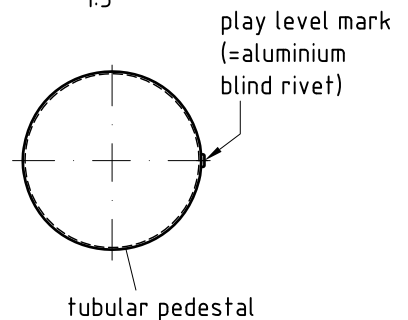
Necessarily insert all attachment parts (handrails etc.) before tightening the screws.

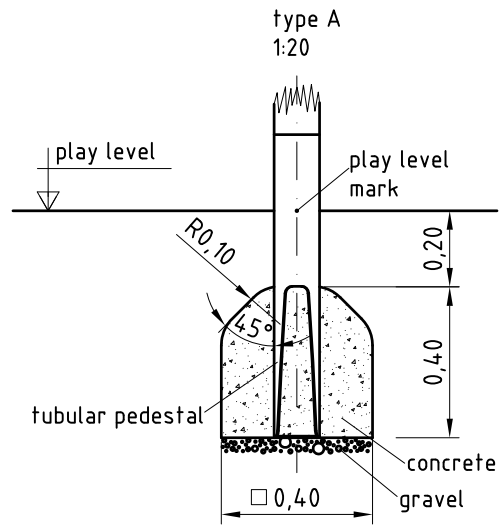
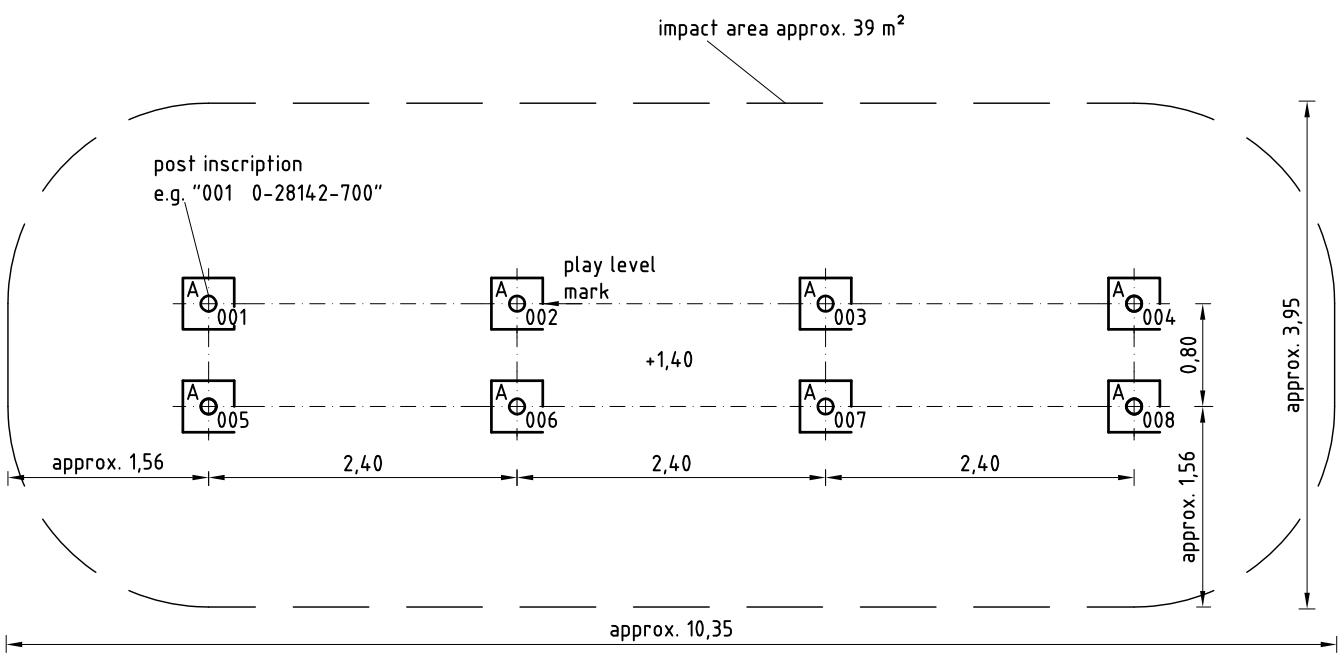
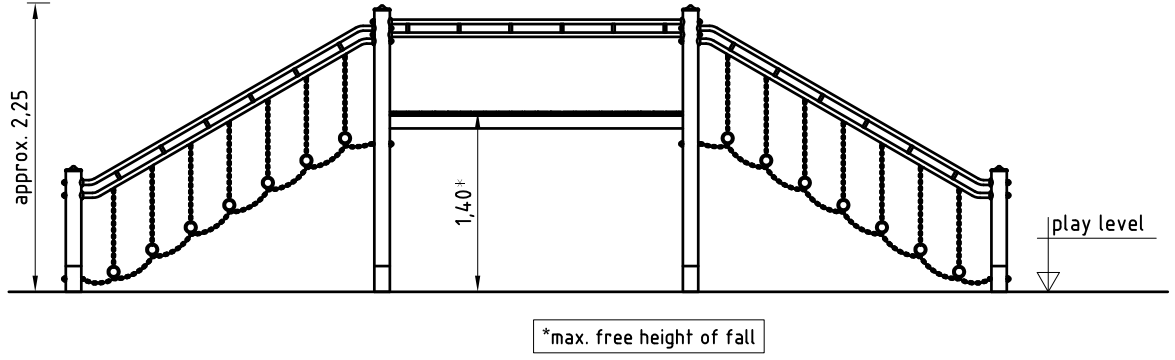
It is NOT possible to insert them afterwards.

platform fastening
1:10



play level mark
1:5





Please note:
 Due to the format size, this installation is not to scale (apart from single details).
 Please refer to the dimensions indicated.
 An installation documentation scale 1:50 can be submitted on request.

Item: **0-28142-700**
 K&K Bridge combination
 Location:

Order: 1298860

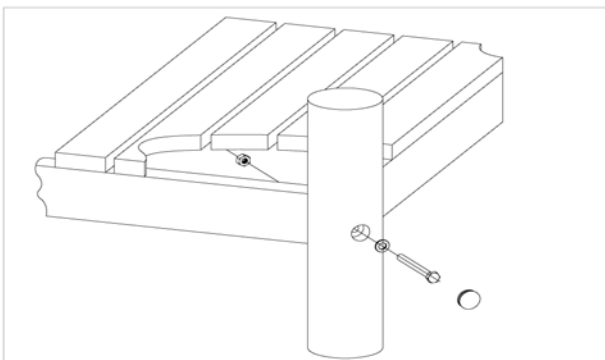
Building Project:

8 x SFES1270007 Reinforcing steel for tubular pedestals



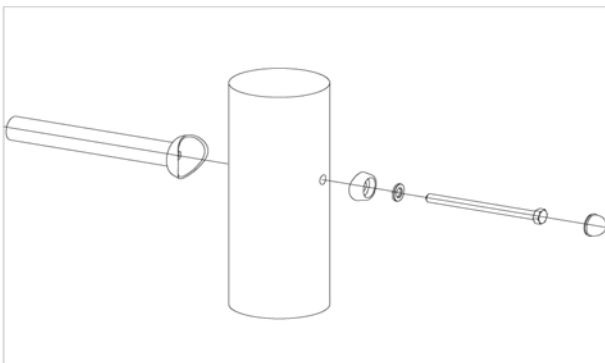
| per SC | Total | K&K-Item | Marking |
|--------|-------|----------|--------------------------------------|
| 1 x | 8 x | 2130000 | Reinforcing steel Ø 10 x 310 DIN 488 |

4 x SFRS1200001 Platform at robinia posts, nut on platform side



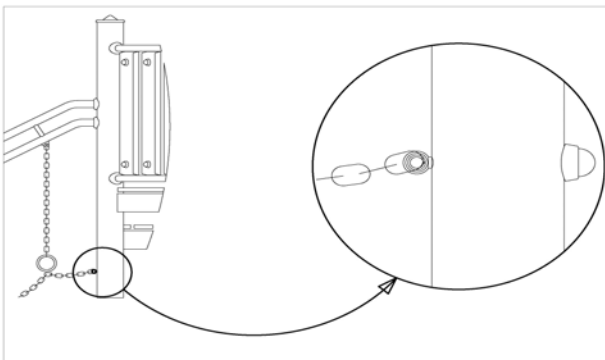
| per SC | Total | K&K-Item | Marking |
|--------|-------|----------|--|
| 1 x | 4 x | 3300016 | Grey domed plastic cover cap SL 36 G |
| 1 x | 4 x | 3400700 | Hexagon head screw M12 x 120 DIN931 A2 with screw security coating/FGB red |
| 1 x | 4 x | 3430129 | Washer Ø 14 DIN1440 A2 |
| 1 x | 4 x | 3430021 | Lock nut M12 DIN985 A2 |

24 x SFRS1210001 Standard bolting for parapet, handrail, slide etc. at robinia posts



| per SC | Total | K&K-Item | Marking |
|--------|-------|----------|--|
| 1 x | 24 x | 3300055 | Screw cap - upper part M12 P2 colour red/RAL 2002 PA6 |
| 1 x | 24 x | 3300054 | Screw cap - lower part, domed M12 colour red/RAL 2002 PA6 |
| 1 x | 24 x | 3430025 | Washer Ø 13 DIN125 A2 |
| 1 x | 24 x | 3400702 | Hexagon head cap screw M12 x 160 DIN931 A2 with screw security coating FGB red |

8 x SFRS1200009 Timber-course connecting chain for totter bridge/ totter bow to posts



| per SC | Total | K&K-Item | Marking |
|--------|-------|----------|---|
| 1 x | 8 x | 3300055 | Screw cap - upper part M12 P2 colour red/RAL 2002 PA6 |
| 1 x | 8 x | 3430021 | Lock nut M12 DIN985 A2 |
| 1 x | 8 x | 3430025 | Washer Ø 13 DIN125 A2 |
| 1 x | 8 x | 3300054 | Screw cap - lower part, domed M12 colour red/RAL 2002 PA6 |

Item: **0-28142-700**

Order:

1298860

K&K Bridge combination

Location:

Building Project:

1 x SFWZ0000013 Lubricating metal, twin bag (2 x 4 g)



| per SC | Total | K&K-Item | Marking |
|--------|-------|----------|------------------------------------|
| 2 x | 2 x | 5300024 | Metaflux fitting lubricant 2x4 gr. |