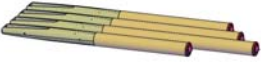









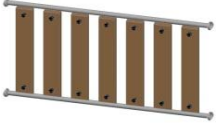
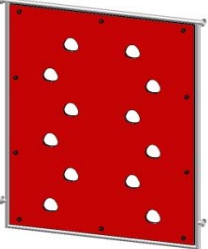

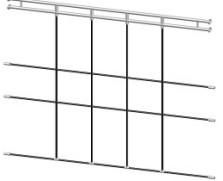









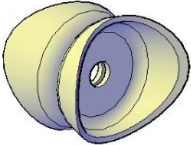


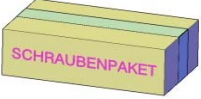


<u>Parts list</u>		022680701	GB
item no.	quantity	description	image
	1	set of 26 pcs. of laminated Robinia posts with stainless steel post cap / rot RAL 2002	
1200001	1	rectangular platform 0,80 m x 1,60 m	
1200000	4	square platform 0,80 m x 0,80 m	
1200051	2	rectangular platform 0,80 m x 1,60 m / 5 posts	
1210022	4	tandem guardrail 0,80 m	
1210358	6	bowed guardrail 0,80 m	

<u>Parts list</u>		022680701	GB
item no.	quantity	description	image
1210023	2	tandem guardrail 1,60 m	
1210011	1	timber infill barrier 0,80 m x 0,80 m	
1210083	1	timber infill barrier 0,80 m x 0,75 m	
1210198	1	timber infill barrier 0,80 m x 0,70 m	
1210096	1	timber infill barrier 1,60 m x 0,70 m	
1230184	1	climbing wall (1,60) red HPL with cut-outs	

<u>Parts list</u>		022680701	GB
item no.	quantity	description	image
1230051	1	vertical climbing pole 2,70 m / horizontal arch	
1230080	1	black climbing net 2,40 m x 2,20 m type 1	
1230091	1	climbing pole 2,50 m / horizontal arch	
1230146	1	sloped scramble up net 1,60m platform height 1,60m	
1210359	7	horizontal bar/ladder rung 0,80 m	
1230078	1	sloped chain ladder 0,80 installation height 1,60	

<u>Parts list</u>		022680701	GB
item no.	quantity	description	image
1230088	1	arch-shaped ladder 0,80 platform height 1,40 m	
1230054	1	steep ramp 1,60 m with climbing rope	
1210047	6	vertical stainless steel handle 0,60 m	
1200027	1	plank bridge (3,20 m)	
041421001	1	K&K Trough-shaped attachment slide (2,00)	
6200053	2	pair of twin sheet metal fastening elements	

<u>Parts list</u>		022680701	GB
item no.	quantity	description	image
1230281	1	prefabricated concrete foundation 0,40 x 0,40 x 0,10 m (for chain ladder and scramble up net)	
1230281	1	horizontal monkey bars 0,80 m x 2,40 m	
1293568	1	fastening kit for 022680701	

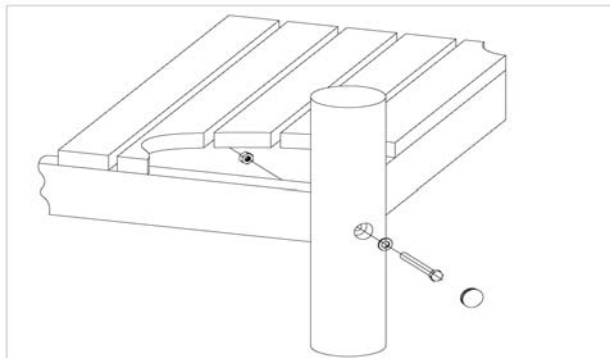
Item: **022680701**
 K&K Play structure
 Location:

Order:

1293568

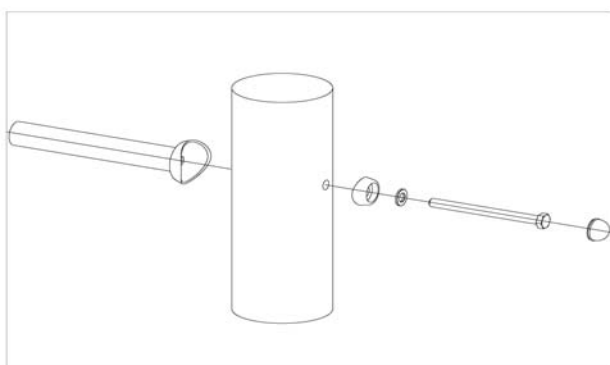
Building Project:

32 x SFRS1200001 Platform at Robinia post, nut is platform-sided



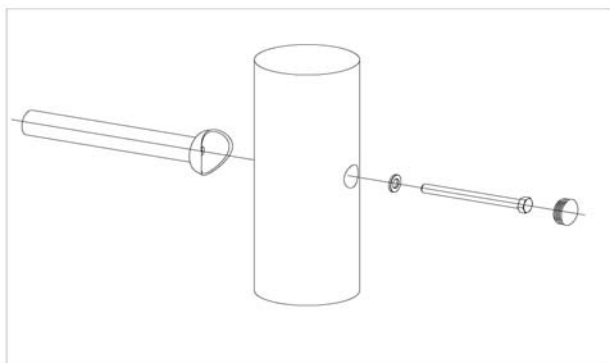
per SC	Total	K&K-Item	Marking
1 x	32 x	3400700	Hexagon head screw M12 x 120 DIN931 A2 with screw security coating/FGB red
1 x	32 x	3300016	Grey domed plastic cover cap SL 36 G
1 x	32 x	3430129	Washer Ø 14 DIN1440 A2
1 x	32 x	3430021	Lock nut M12 DIN985 A2

91 x SFRS1210001 Standard bolting of barriers, handrails, slides to Robinia posts



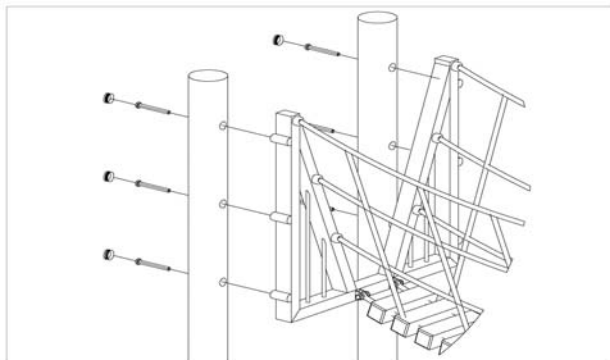
per SC	Total	K&K-Item	Marking
1 x	91 x	3300054	red protective screw cap - lower part, domed M12
1 x	91 x	3300055	red protective screw cap - upper part, domed M12
1 x	91 x	3430025	Washer Ø 13 DIN125 A2
1 x	91 x	3400702	Hexagon head cap screw M12 x 160 DIN931 A2 with screw security coating FGB red

19 x SFRS1230004 Standard bolting of climbing poles, ramps etc. to Robinia posts with countersunk holes



per SC	Total	K&K-Item	Marking
1 x	19 x	3300016	Grey domed plastic cover cap SL 36 G
1 x	19 x	3430129	Washer Ø 14 DIN1440 A2
1 x	19 x	3400701	Hexagon head cap screw M12 x 130 DIN931 A2 with screw retention coating/FGB red

12 x SFRS1200006 Plank bridge frame at Robinia posts



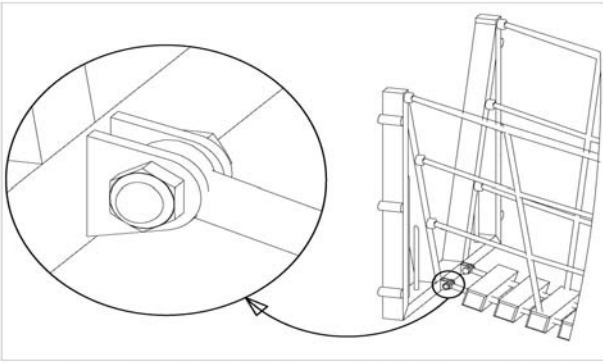
per SC	Total	K&K-Item	Marking
1 x	12 x	3300016	Grey domed plastic cover cap SL 36 G
1 x	12 x	3400395	Hexagon head cap screw M12 x 110 DIN931 A2
1 x	12 x	3430129	Washer Ø 14 DIN1440 A2

Item: **022680701**
 K&K Play structure
 Location: Building Project:

Order:

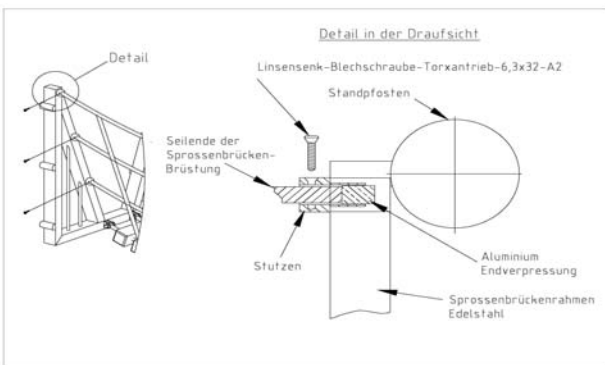
1293568

2 x SFAS120004 Supporting cable for plank bridge at frame



per SC	Total	K&K-Item	Marking
2 x	4 x	3430025	Washer Ø 13 DIN125 A2
2 x	4 x	3430051	Hexagon cap nut M12 DIN 986 A2
2 x	4 x	2030519	Fixing srew M12x45 for plank bridges

2 x SFAS120001 Plank bridge railing ropes in plank bridge frame



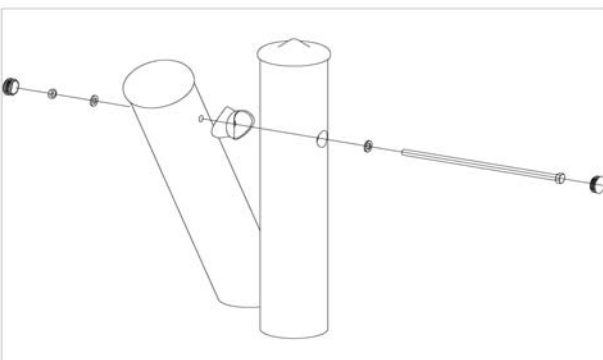
per SC	Total	K&K-Item	Marking
6 x	12 x	3400515	Oval head countersunk screw Torx Ø 6,3 x 32 galv.

1 x SFWZ000010 Security bit TORX PLUS IPR 30 x 25



per SC	Total	K&K-Item	Marking
1 x	1 x	3490038	Security bit TORX PLUS IPR 30 x 25

4 x SFRS1200010 Robinia bridge-supporting post at vertical post



per SC	Total	K&K-Item	Marking
1 x	4 x	3400486	Hexagon head cap screw M12 x 250 DIN931 A2
2 x	8 x	3430129	Washer Ø 14 DIN1440 A2
1 x	4 x	3430021	Lock nut M12 DIN985 A2
2 x	8 x	3300016	Grey domed plastic cover cap SL 36 G

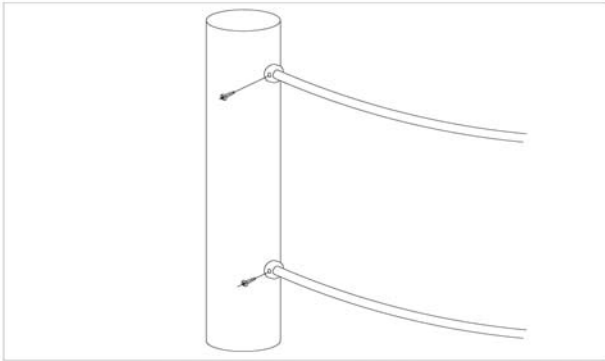
Item: **022680701**
 K&K Play structure
 Location:

Order:

1293568

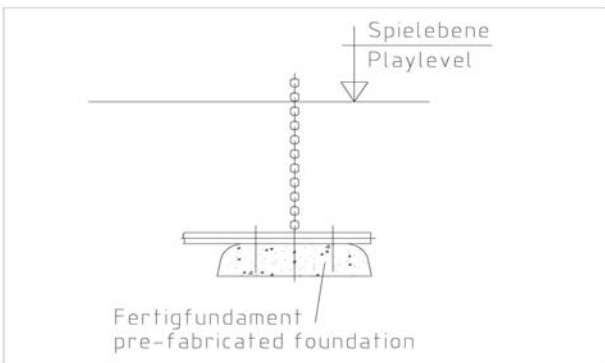
Building Project:

6 x SFAS1230005 Climbing net/rope fastening to post



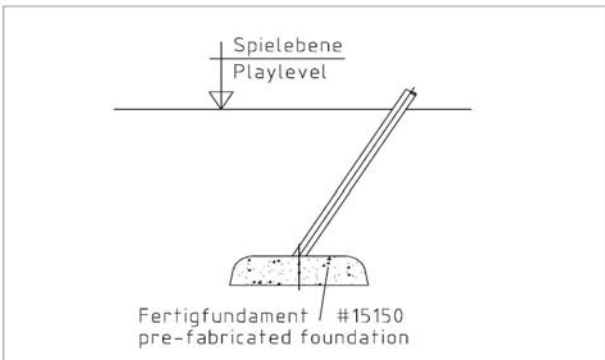
per SC	Total	K&K-Item	Marking
1 x	6 x	3400515	Oval head countersunk screw Torx Ø 6,3 x 32 galv.

2 x SFAS1230007 Connection pipe between chain ladder/space net/ climbing net and prefabricated foundation (item N° 15150)



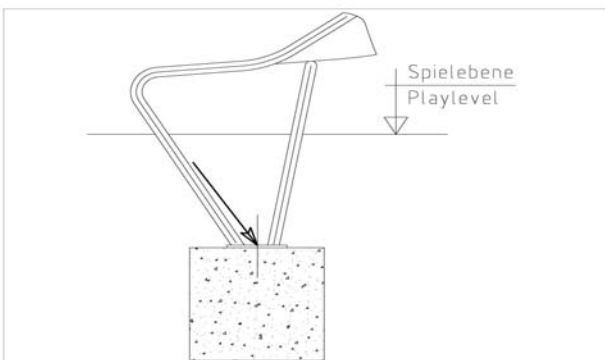
per SC	Total	K&K-Item	Marking
2 x	4 x	3430025	Washer Ø 13 DIN125 A2
2 x	4 x	3400498	Hexagon head cap screw M12 x 55 DIN931 A2

1 x SFAS1230009 Scramble up net / climbing net fastening to prefabricated foundation



per SC	Total	K&K-Item	Marking
4 x	4 x	3430025	Washer Ø 13 DIN125 A2
4 x	4 x	3400018	Hexagon screw M12 x 25 DIN933 A2

1 x SFAS1070006 Slide run-out section (up to 2,00 m) on foundation stone bolt assembly



per SC	Total	K&K-Item	Marking
2 x	2 x	1070365	Set of stone bolts for slide run-out section M12x160

Item: **022680701**
K&K Play structure

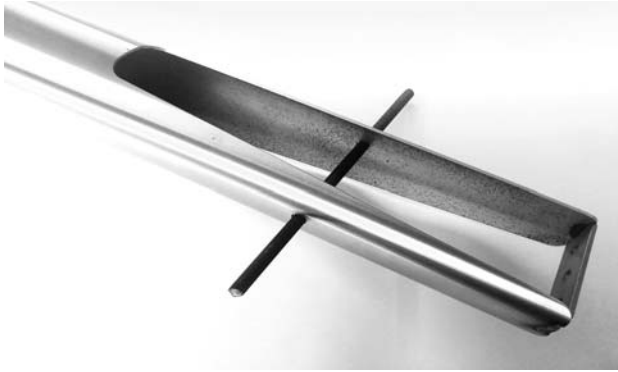
Order:

1293568

Location:

Building Project:

26 x SFES1270007 Reinforcing steel for tubular pedestals



per SC	Total	K&K-Item	Marking
1 x	26 x	2130000	Reinforcing steel Ø 10 x 310 DIN 488

2 x SFWZ0000012 Lubricating metal (30g box) incl. brush



per SC	Total	K&K-Item	Marking
1 x	2 x	5300039	Lubricating metal box 30g
1 x	2 x	5200026	Brush for lubricating metal

Instructions for maintenance

In addition to the manufacturer-related service instructions, we strongly advise the operator/owner to consider the corresponding prescriptions of the European Standard EN1176-7.





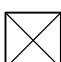





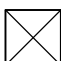


022680701 K&K Play structure

One-time maintenance



Check all screw connections; retighten, if necessary.
Cover screw heads with the protective screw caps furnished.

once,
approx. 4-5 weeks after installation

Recommended regular inspection and maintenance	once a week	twice per month	once a month	four times a year	twice a year	once a year
 Where appropriate, clean playing sand	<input type="checkbox"/>	<input checked="" type="checkbox"/>	<input type="checkbox"/>	<input type="checkbox"/>	<input type="checkbox"/>	<input type="checkbox"/>
 Check cleanliness of playing and safety area. Remove any foreign object	<input type="checkbox"/>	<input type="checkbox"/>	<input checked="" type="checkbox"/>	<input type="checkbox"/>	<input type="checkbox"/>	<input type="checkbox"/>
 Check chains of chain ladder for wear, replace if necessary. The nominal chain thickness must not diminish more than 30% (< 4,5 mm). Beyond that limit, a chain replacement is indispensable.	<input type="checkbox"/>	<input type="checkbox"/>	<input checked="" type="checkbox"/>	<input type="checkbox"/>	<input type="checkbox"/>	<input type="checkbox"/>
 Check cleanliness of sliding surfaces, remove protruding parts, exchange damaged sliding course coverings	<input type="checkbox"/>	<input type="checkbox"/>	<input checked="" type="checkbox"/>	<input type="checkbox"/>	<input type="checkbox"/>	<input type="checkbox"/>
 In case of drying cracks, remove splinters of wood and chamfer sharp edges	<input type="checkbox"/>	<input type="checkbox"/>	<input checked="" type="checkbox"/>	<input type="checkbox"/>	<input type="checkbox"/>	<input type="checkbox"/>
 Where appropriate, check synthetic surfacing material for damages or severe wear, repair or replace, if necessary	<input type="checkbox"/>	<input type="checkbox"/>	<input checked="" type="checkbox"/>	<input type="checkbox"/>	<input type="checkbox"/>	<input type="checkbox"/>
 Check tightness of stand construction: stability of (vertical) posts or supports, retighten screw connections, if necessary.	<input type="checkbox"/>	<input type="checkbox"/>	<input type="checkbox"/>	<input type="checkbox"/>	<input checked="" type="checkbox"/>	<input type="checkbox"/>
 Check further structural components for wear and tightness; retighten, if necessary and replace defective parts.	<input type="checkbox"/>	<input type="checkbox"/>	<input type="checkbox"/>	<input type="checkbox"/>	<input checked="" type="checkbox"/>	<input type="checkbox"/>
 Check tension and damages of ropes: V-shaped plank bridge, scramble up net and climbing net, replace if necessary	<input type="checkbox"/>	<input type="checkbox"/>	<input type="checkbox"/>	<input type="checkbox"/>	<input checked="" type="checkbox"/>	<input type="checkbox"/>
 Check tightness/stability of the connection between stainless steel support and laminated timber post, replace post, if necessary.	<input type="checkbox"/>	<input type="checkbox"/>	<input type="checkbox"/>	<input type="checkbox"/>	<input checked="" type="checkbox"/>	<input type="checkbox"/>
 Check foundations and structural construction for corrosion or decay, repair or replace if necessary	<input type="checkbox"/>	<input type="checkbox"/>	<input type="checkbox"/>	<input type="checkbox"/>	<input type="checkbox"/>	<input checked="" type="checkbox"/>

Please note: The above-mentioned maintenance intervals only have recommendatory character. They must necessarily be adapted to the local circumstances of each playground (frequency of use, social setting, risk and frequency of vandalism etc.).