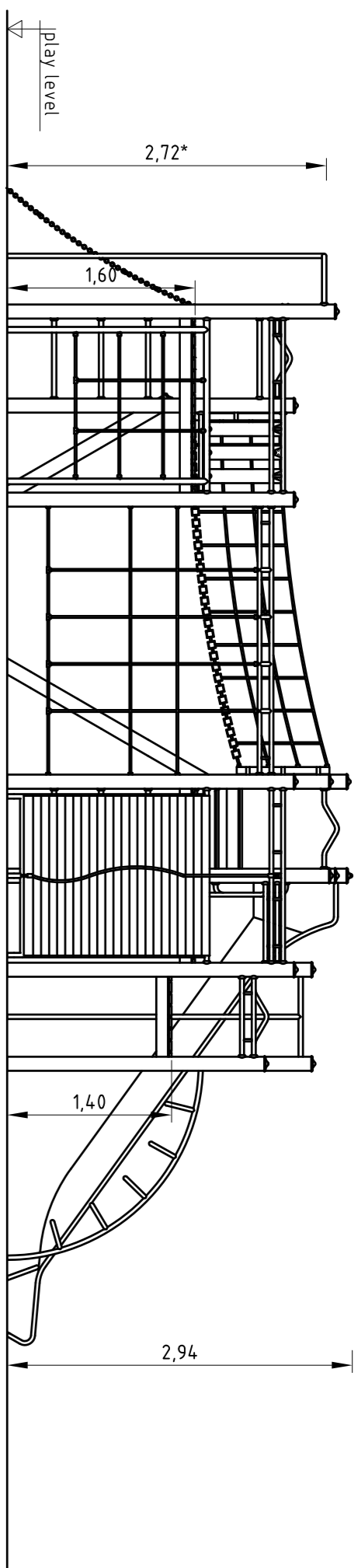
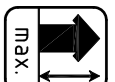


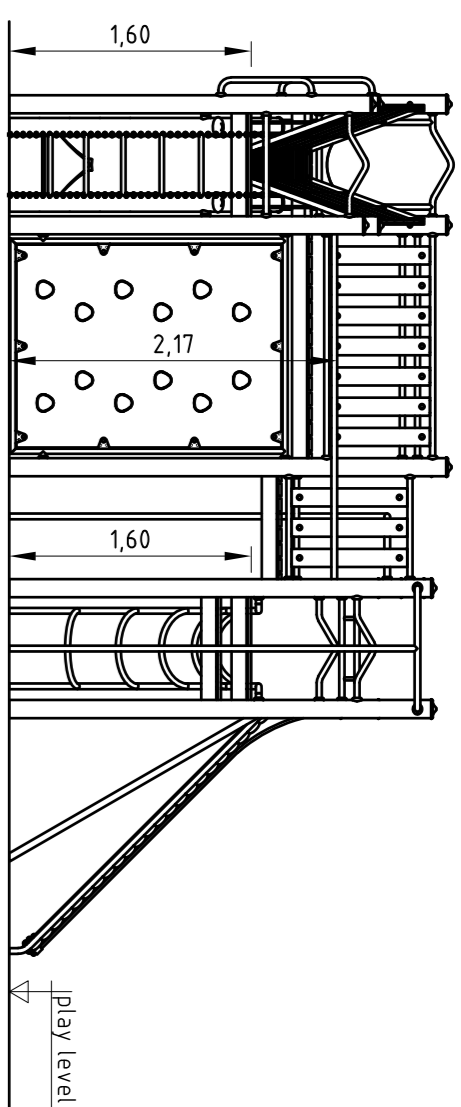
Space occupied by equipment
9,85 x 5,80 x 2,94 m

Front view

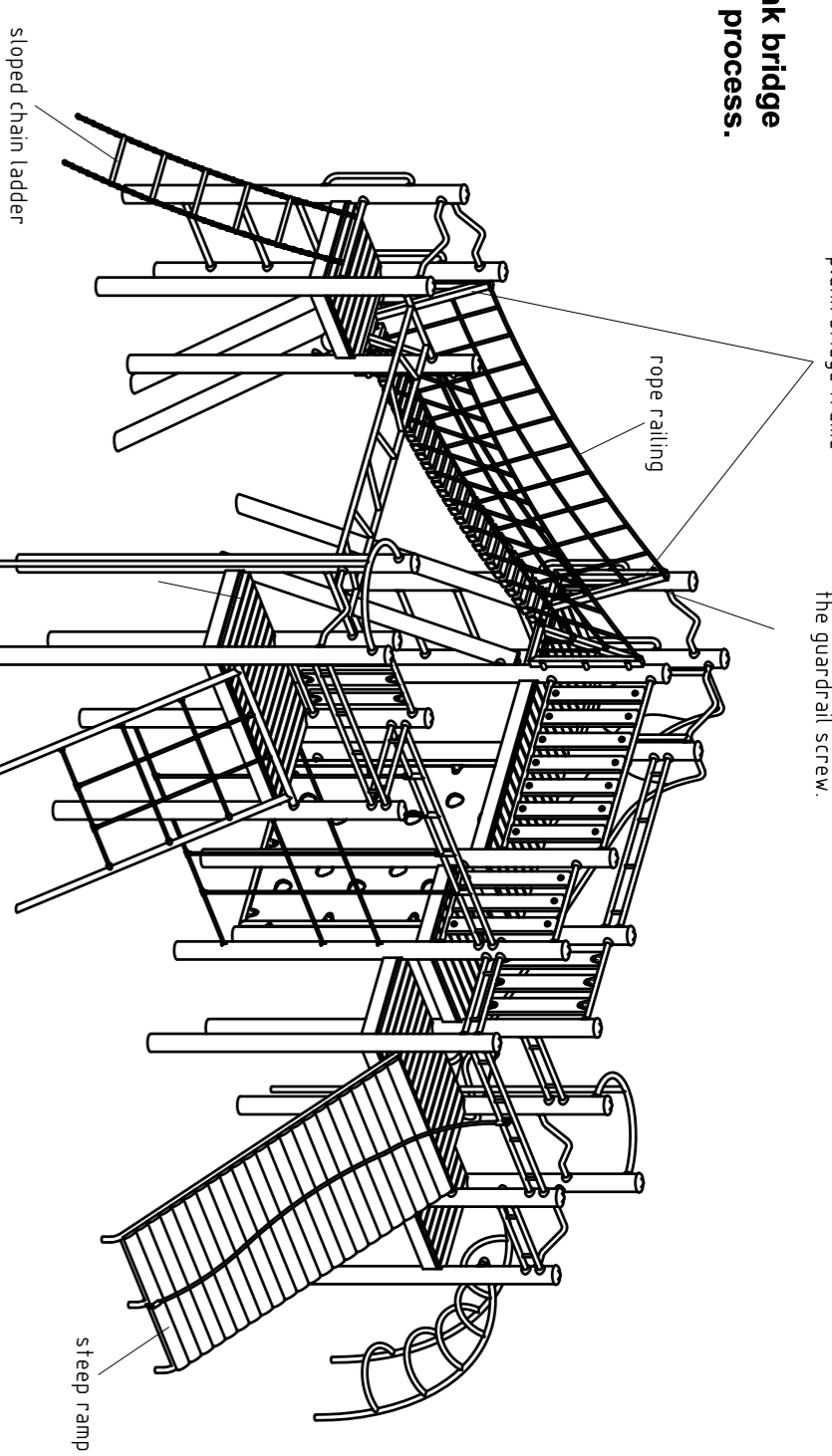
dimension mark - total height of the equipment



view from the left side



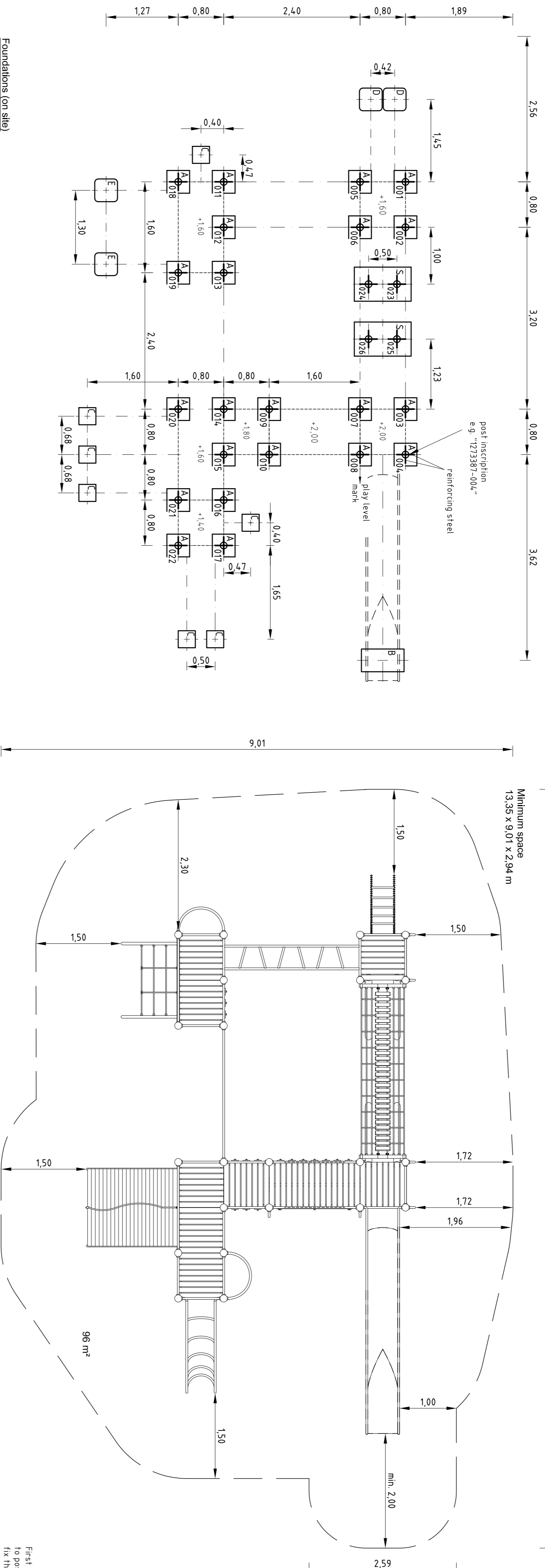
Attention: Mount plank bridge
after concrete setting process.



First mount the bowed guardrail to post No. 003 afterwards insert and fix the bridge frame. Otherwise, the frame would conceal the hole for the guardrail screw.

Top view & Impact area

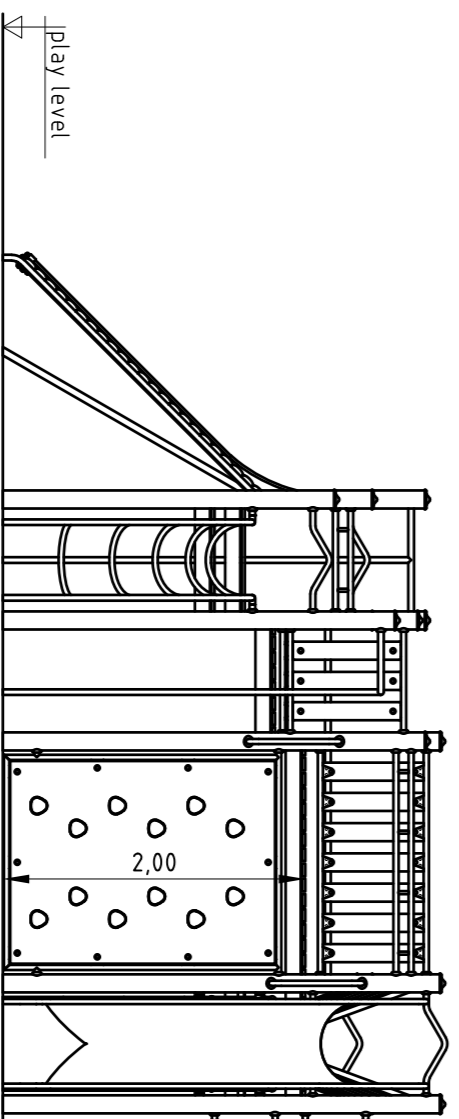
Minimum space
13,55 x 9,01 x 2,94 m



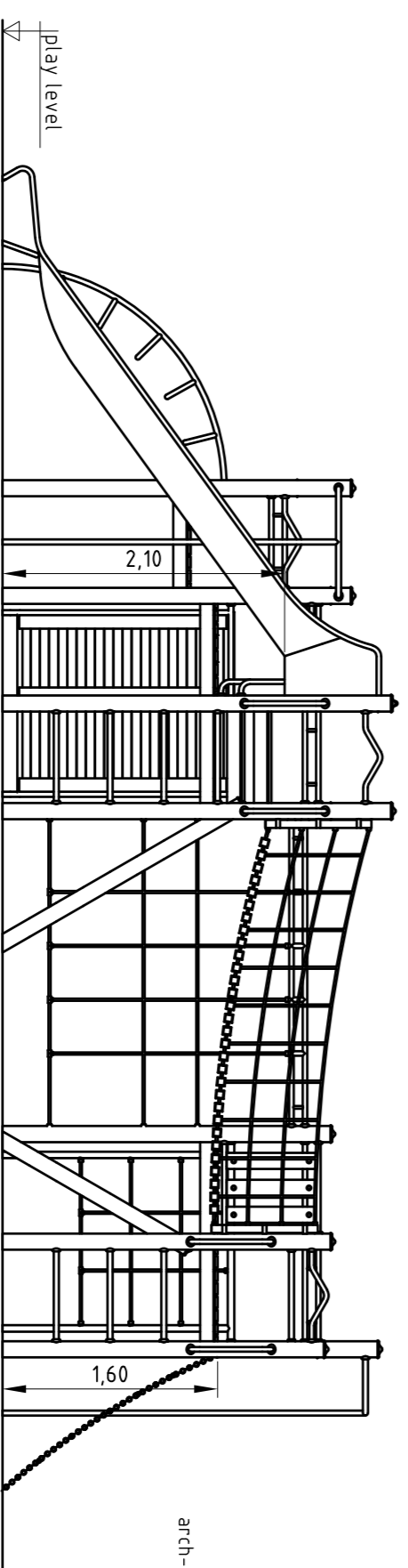
EN 1176

Foundations (on site)
22 x 0,40 x 0,40 x 0,40 m
1 x 0,40 x 0,75 x 0,40 m
7 x 0,30 x 0,30 x 0,40 m
2 x 0,60 x 1,00 x 0,60 m
(approximate) concrete needs
2,5 m³

view from the right side

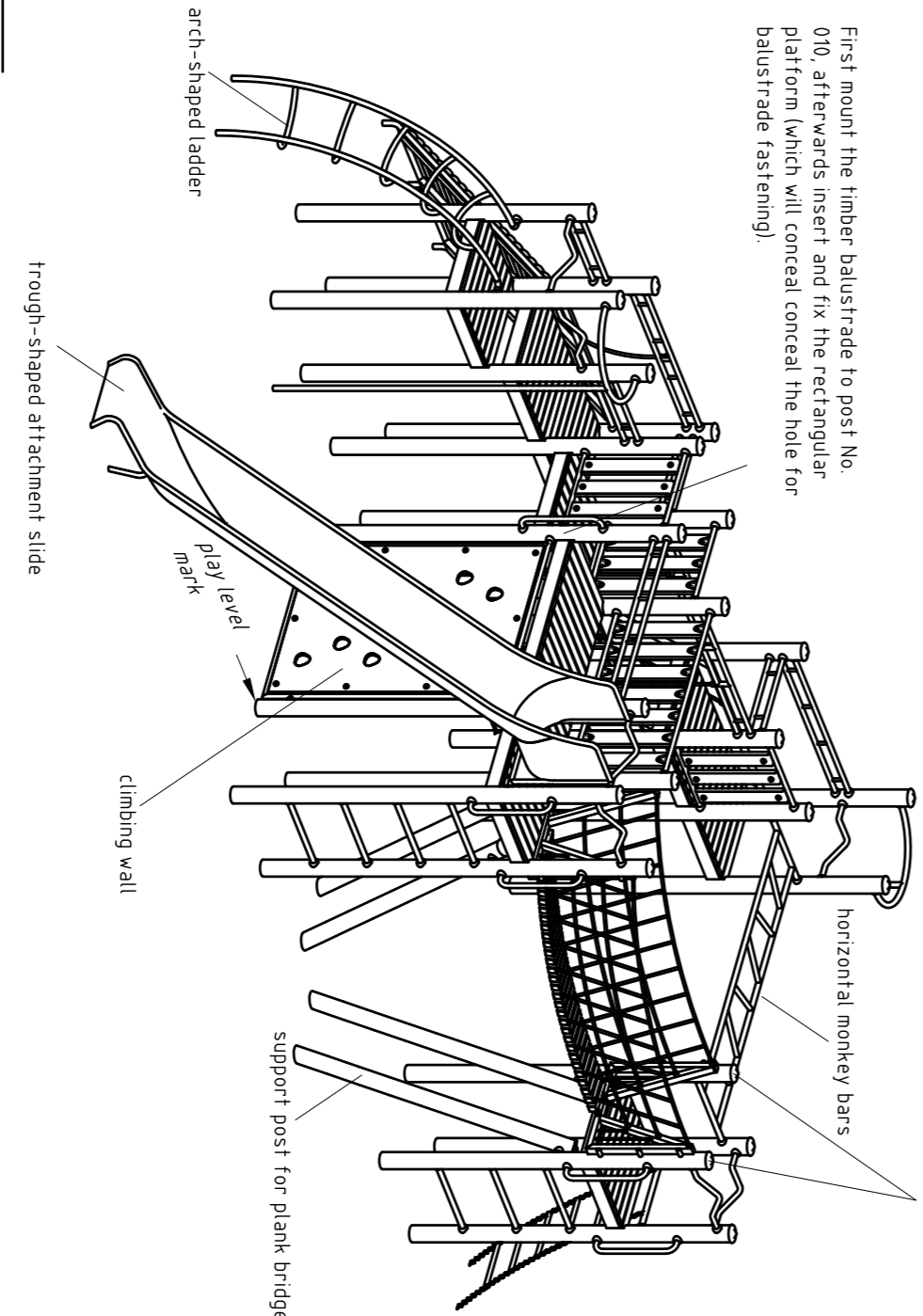


rear view



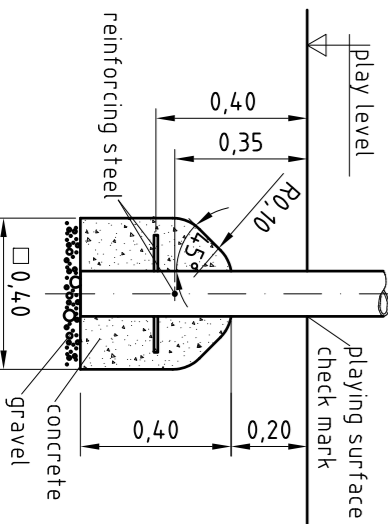
First mount the timber balustrade to post No. 010, afterwards insert and fix the rectangular platform (which will conceal the hole for balustrade fastenings)

First mount monkey bars and the bowed guardrail to posts No. 002 and 005, afterwards insert and fix the bridge frame. Otherwise, the frame would conceal the holes for monkey bars and guardrail screws.

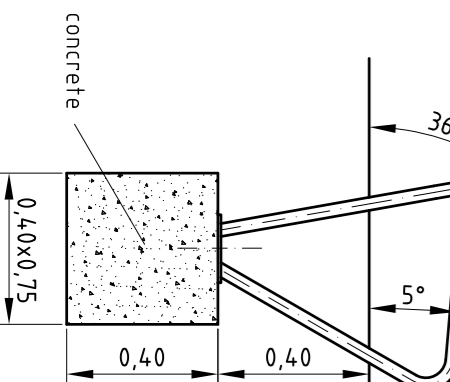


Foundation details

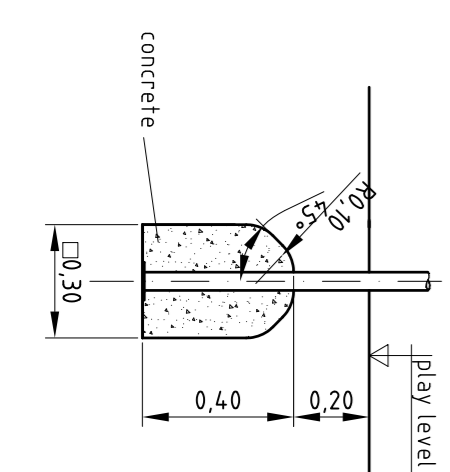
Type A (22x)
120
Ø 0,12



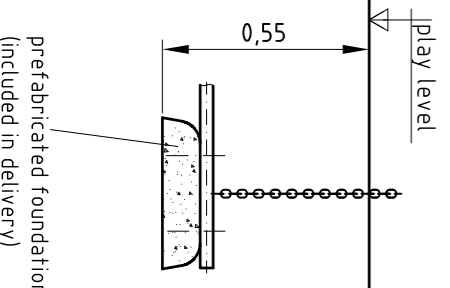
Type B (1x)
120



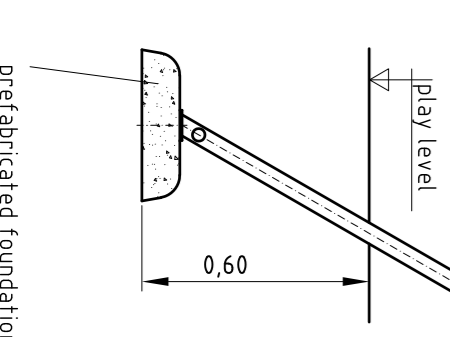
Type C (7x)
120



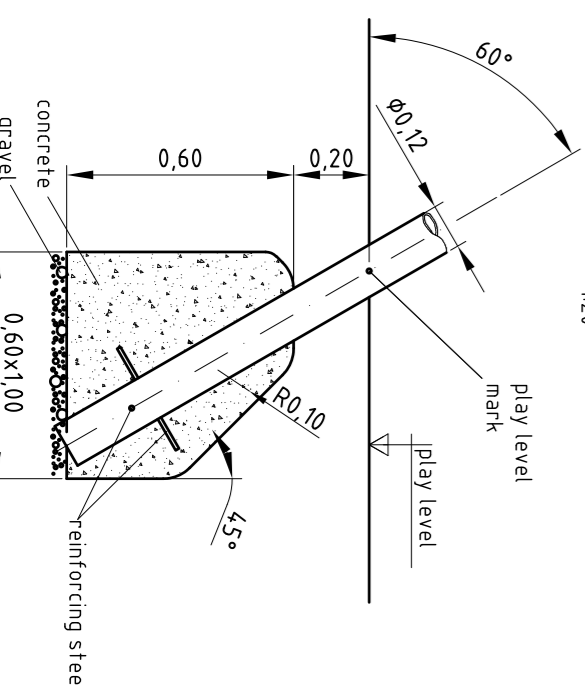
Type D (2x)
120



Type E (2x)
120



Type S (2x)
120



Installation instructions for plank bridge

- Screw connections of lateral rail ropes/net barrier to bridge frame see details in attached list!
- The bridge frame must remain flexible in the fixing links!
- Insert rope ends into connecting piece (socket) of bridge frame until the inner width between bridge frame and first vertical rope is at least 20 mm and the probe Ø 230 mm, specified in the standard for playground equipment and surfacing EN 1176-1, passes through the meshes of the lateral rail ropes. Perform test in the most onerous way. Once the test is passed, the ropes must be secured with a lock nut and a lock washer.
- Do not screw through the metal ring, this will destroy the rope end. Fix rope ends with a lock nut and a lock washer.
- The difference in height between the two terminal points must not exceed 0,10 m, with an inclined installation, the meshes of the side rail ropes have to be checked for any possible head entrapment point, as specified in the standard for playground equipment and surfacing EN 1176-1. With the design of the lateral rail ropes gun, each single mesh has to be big enough to tolerate this probe Ø 230 mm passes through. Also perform this test in the most onerous way.

Platform orientation numbers
1100

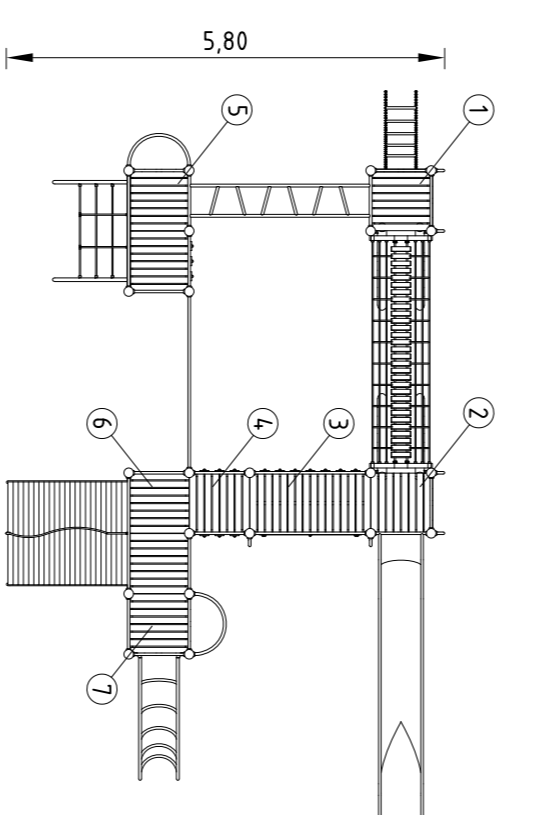
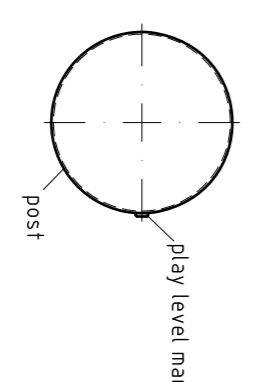


Chart for platform fastenings

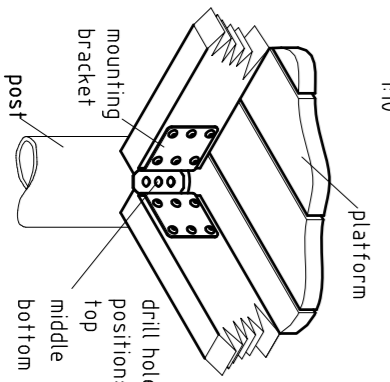
No.	height	TOP	MIDDLE	BOTTOM
1	1,50	X	X	X
2	2,00	X	X	X
3	1,80	X	X	X
4	1,80	X	X	X
5	1,50	X	X	X
6	1,50	X	X	X
7	1,40	X	X	X

In addition to the above-mentioned details, there are half-hole screw connections (use both top and bottom hole!)
platform No. 5 at post 012
platform No. 6 at post 015

detail of play level mark



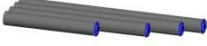





platform fastening






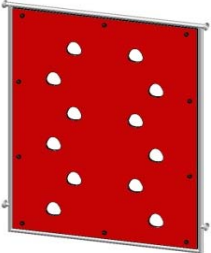



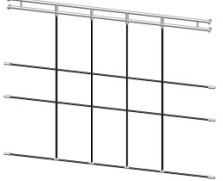




Necessarily insert all attachment parts before tightening the screws. It is NOT possible to insert them afterwards.





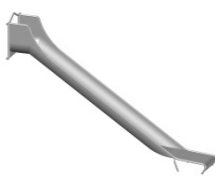
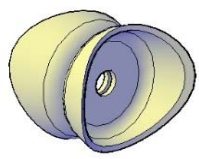
Please ensure that all special tools supplied (e.g. Allen key for secured Allen screws etc.) and all specific documents, which are or may be useful for safety management acc. to EN 1176-1 (e.g. invoice, delivery note, order acknowledgment, installation instructions, maintenance instructions) are forwarded to the persons responsible.



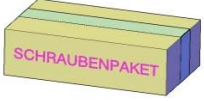
<p>Kaiser & Kühne Friedenstraße 63b D-27254 Estrup Telefon 04254 / 93150 Telefax 04254 / 931524</p>	<p>0-22680-501</p> <p>K&K Play structure</p> <p>Installation</p>
--	---

<u>Parts list</u>		022680501	GB
item no.	quantity	description	image
1273387	1	set of (26 pcs.) of stainless steel posts with stainless steel post cap / blue RAL 5015	
1200001	1	rectangular platform 0,80 m x 1,60 m	
1200000	4	square platform 0,80 m x 0,80 m	
1200051	2	rectangular platform 0,80 m x 1,60 m / 5 posts	
1210022	4	tandem guardrail 0,80 m	
1210358	6	bowed guardrail 0,80 m	

<u>Parts list</u>		022680501	GB
item no.	quantity	description	image
1210023	2	tandem guardrail 1,60 m	
1210011	1	timber infill barrier 0,80 m x 0,80 m	
1210083	1	timber infill barrier 0,80 m x 0,75 m	
1210198	1	timber infill barrier 0,80 m x 0,70 m	
1210096	1	timber infill barrier 1,60 m x 0,70 m	
1230184	1	climbing wall (1,60) red HPL with cut-outs	

<u>Parts list</u>		022680501	GB
item no.	quantity	description	image
1230051	1	vertical climbing pole 2,70 m / horizontal arch	
1230080	1	black climbing net 2,40 m x 2,20 m type 1	
1230091	1	climbing pole 2,50 m / horizontal arch	
1230146	1	sloped scramble up net 1,60m platform height 1,60m	
1210359	7	horizontal bar/ladder rung 0,80 m	
1230078	1	sloped chain ladder 0,80 installation height 1,60	

<u>Parts list</u>		022680501	GB
item no.	quantity	description	image
1230088	1	arch-shaped ladder 0,80 platform height 1,40 m	
1230054	1	steep ramp 1,60 m with climbing rope	
1210047	6	vertical stainless steel handle 0,60 m	
1200027	1	plank bridge (3,20 m)	
041421001	1	K&K Trough-shaped attachment slide (2,00)	
6200053	2	pair of twin sheet metal fastening elements	

<u>Parts list</u>		022680501	GB
item no.	quantity	description	image
1230281	1	horizontal monkey bars 0,80 m x 2,40 m	
015150	4	prefabricated concrete foundation 0,40 x 0,40 x 0,10 m (for chain ladder and scramble up net)	
1293569	1	fastening kit for 022680501	

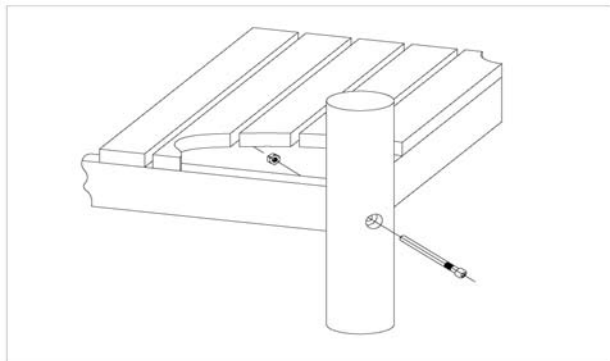
Item: **022680501**
 K&K Play structure
 Location:

Order:

1293569

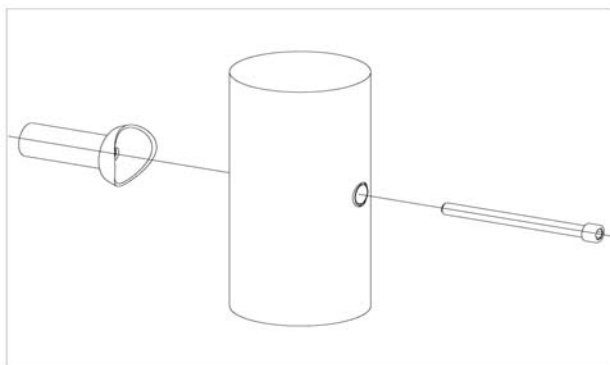
Building Project:

32 x SFES120001 Platform fastening to stainless steel post, nut on the side of the platform



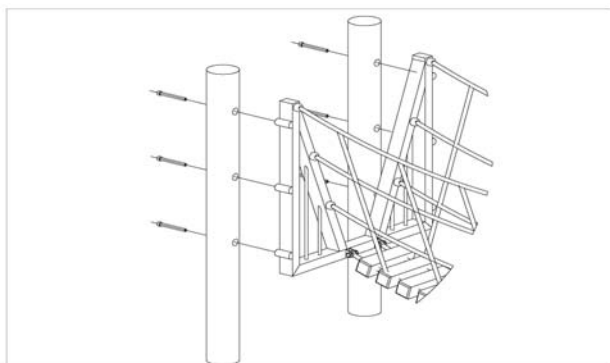
per SC	Total	K&K-Item	Marking
1 x	32 x	3430021	Lock nut M12 DIN985 A2
1 x	32 x	2030651	Cheese head screw with pin M12 x 125

110 x SFES1210001 Standard bolting of attachment parts (except platforms) to stainless steel posts



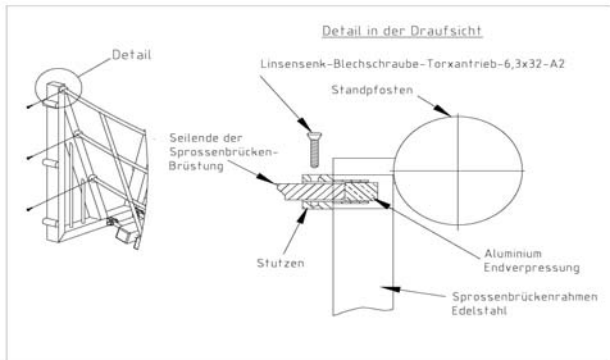
per SC	Total	K&K-Item	Marking
1 x	110 x	2030168	Cheese head screw with pin M12x140

12 x SFES1200006 Plank bridge frame at stainless steel post



per SC	Total	K&K-Item	Marking
1 x	12 x	2030246	Cheese head screw M12 x 110 with pin

2 x SFAS1200001 Plank bridge railing ropes in plank bridge frame



per SC	Total	K&K-Item	Marking
6 x	12 x	3400515	Oval head countersunk screw Torx Ø 6,3 x 32 galv.

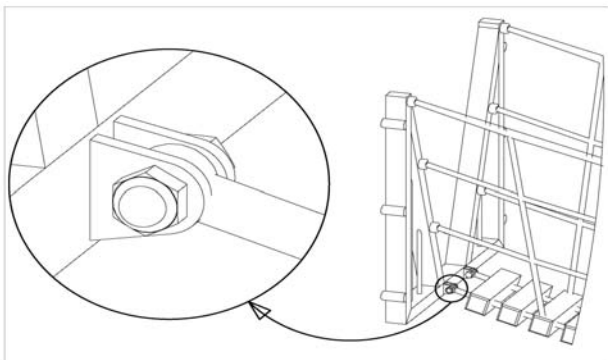
Item: **022680501**
 K&K Play structure
 Location:

Order:

1293569

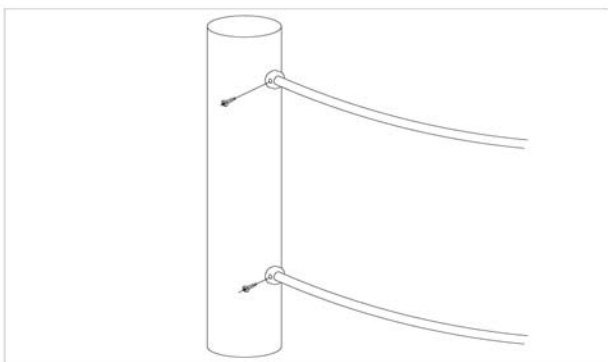
Building Project:

2 x SFAS120004 Supporting cable for plank bridge at frame



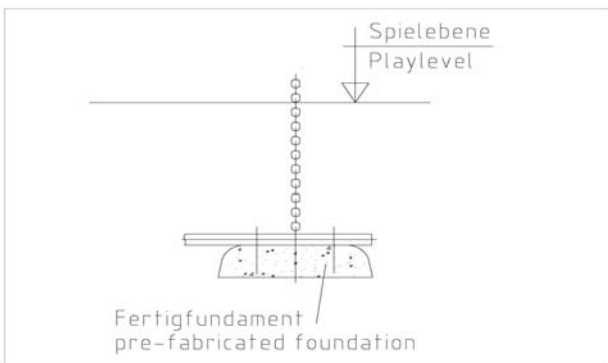
per SC	Total	K&K-Item	Marking
2 x	4 x	3430051	Hexagon cap nut M12 DIN 986 A2
2 x	4 x	3430025	Washer Ø 13 DIN125 A2
2 x	4 x	2030519	Fixing srew M12x45 for plank bridges

6 x SFAS1230005 Climbing net/rope fastening to post



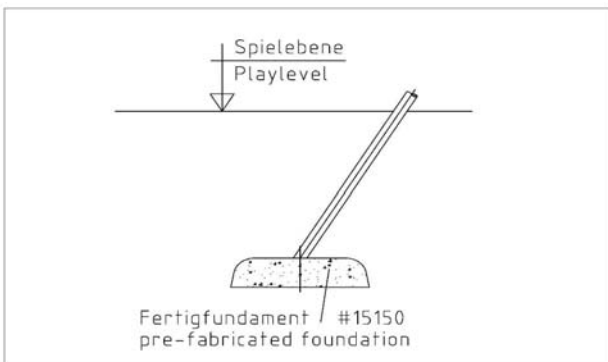
per SC	Total	K&K-Item	Marking
1 x	6 x	3400515	Oval head countersunk screw Torx Ø 6,3 x 32 galv.

2 x SFAS1230007 Connection pipe between chain ladder/space net/ climbing net and prefabricated foundation (item N° 15150)



per SC	Total	K&K-Item	Marking
2 x	4 x	3430025	Washer Ø 13 DIN125 A2
2 x	4 x	3400498	Hexagon head cap screw M12 x 55 DIN931 A2

1 x SFAS1230009 Scramble up net / climbing net fastening to prefabricated foundation



per SC	Total	K&K-Item	Marking
4 x	4 x	3430025	Washer Ø 13 DIN125 A2
4 x	4 x	3400018	Hexagon screw M12 x 25 DIN933 A2

Item: **022680501**
 K&K Play structure
 Location:

Order:

1293569

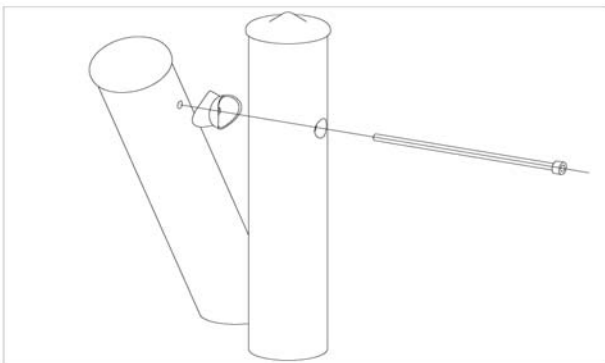
Building Project:

26 x SFES1270001 Reinforcing steel for stainless steel posts



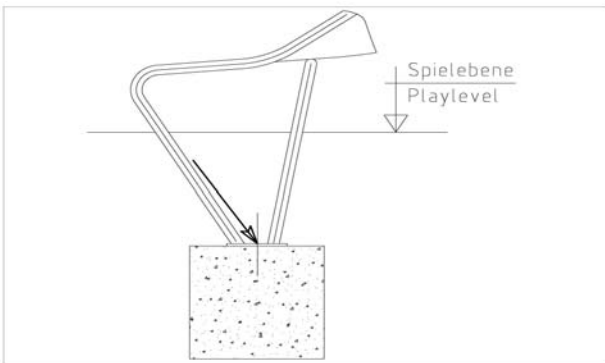
per SC	Total	K&K-Item	Marking
2 x	52 x	2130000	Reinforcing steel Ø 10 x 310 DIN 488

4 x SFES1200011 Stainless steel support post with screw thread



per SC	Total	K&K-Item	Marking
1 x	4 x	2030247	Cheese head screw with pin M12 x 255

1 x SFAS1070006 Slide run-out section (up to 2,00 m) on foundation stone bolt assembly



per SC	Total	K&K-Item	Marking
2 x	2 x	1070365	Set of stone bolts for slide run-out section M12x160

1 x SFWZ0000010 Security bit TORX PLUS IPR 30 x 25



per SC	Total	K&K-Item	Marking
1 x	1 x	3490038	Security bit TORX PLUS IPR 30 x 25

Item: **022680501**
K&K Play structure

Order:

1293569

Location:

Building Project:

1 x SFWZ000009 Hexagon insert socket driver 10mm 1/2"
with borehole for Pin



per SC	Total	K&K-Item	Marking
1 x	1 x	2030170	Hexagon insert socket driver 10 mm 1/2" with drill hole for Pin

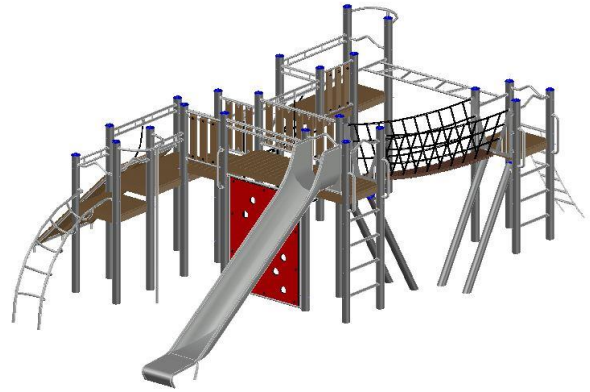
2 x SFWZ000012 Lubricating metal (30g box) incl. brush



per SC	Total	K&K-Item	Marking
1 x	2 x	5300039	Lubricating metal box 30g
1 x	2 x	5200026	Brush for lubricating metal

Instructions for maintenance

In addition to the manufacturer-related service instructions, we strongly advise the operator/owner to consider the corresponding prescriptions of the European Standard EN1176-7.



022680501 K&K Play structure

One-time maintenance



Check all screw connections; retighten, if necessary.

once,
approx. 4-5 weeks after installation

Recommended regular inspection and maintenance	once a week	twice per month	once a month	four times a year	twice a year	once a year
<input checked="" type="checkbox"/> Where appropriate, clean playing sand	<input type="checkbox"/>	<input checked="" type="checkbox"/>	<input type="checkbox"/>	<input type="checkbox"/>	<input type="checkbox"/>	<input type="checkbox"/>
<input checked="" type="checkbox"/> Check cleanliness of playing and safety area. Remove any foreign object	<input type="checkbox"/>	<input type="checkbox"/>	<input checked="" type="checkbox"/>	<input type="checkbox"/>	<input type="checkbox"/>	<input type="checkbox"/>
<input checked="" type="checkbox"/> Check chains of chain ladder for wear, replace if necessary. The nominal chain thickness must not diminish more than 30% (< 4,5 mm). Beyond that limit, a chain replacement is indispensable.	<input type="checkbox"/>	<input type="checkbox"/>	<input checked="" type="checkbox"/>	<input type="checkbox"/>	<input type="checkbox"/>	<input type="checkbox"/>
<input checked="" type="checkbox"/> Check cleanliness of sliding surfaces, remove protruding parts, exchange damaged sliding course coverings	<input type="checkbox"/>	<input type="checkbox"/>	<input checked="" type="checkbox"/>	<input type="checkbox"/>	<input type="checkbox"/>	<input type="checkbox"/>
<input checked="" type="checkbox"/> In case of drying cracks, remove splinters of wood and chamfer sharp edges	<input type="checkbox"/>	<input type="checkbox"/>	<input checked="" type="checkbox"/>	<input type="checkbox"/>	<input type="checkbox"/>	<input type="checkbox"/>
<input checked="" type="checkbox"/> Where appropriate, check synthetic surfacing material for damages or severe wear, repair or replace, if necessary	<input type="checkbox"/>	<input type="checkbox"/>	<input checked="" type="checkbox"/>	<input type="checkbox"/>	<input type="checkbox"/>	<input type="checkbox"/>
<input checked="" type="checkbox"/> Check tightness of stand construction: stability of (vertical) posts or supports, retighten screw connections, if necessary.	<input type="checkbox"/>	<input type="checkbox"/>	<input type="checkbox"/>	<input type="checkbox"/>	<input checked="" type="checkbox"/>	<input type="checkbox"/>
<input checked="" type="checkbox"/> Check further structural components for wear and tightness; retighten, if necessary and replace defective parts.	<input type="checkbox"/>	<input type="checkbox"/>	<input type="checkbox"/>	<input type="checkbox"/>	<input checked="" type="checkbox"/>	<input type="checkbox"/>
<input checked="" type="checkbox"/> Check tension and damages of ropes: V-shaped plank bridge, scramble up net and climbing net, replace if necessary	<input type="checkbox"/>	<input type="checkbox"/>	<input type="checkbox"/>	<input type="checkbox"/>	<input checked="" type="checkbox"/>	<input type="checkbox"/>
<input checked="" type="checkbox"/> Check foundations and structural construction for corrosion or decay, repair or replace if necessary	<input type="checkbox"/>	<input type="checkbox"/>	<input type="checkbox"/>	<input type="checkbox"/>	<input type="checkbox"/>	<input checked="" type="checkbox"/>

Please note: The above-mentioned maintenance intervals only have recommendatory character. They must necessarily be adapted to the local circumstances of each playground (frequency of use, social setting, risk and frequency of vandalism etc.).