



foundations (on site)

10 pcs. 0,40 x 0,40 x 0,40 m

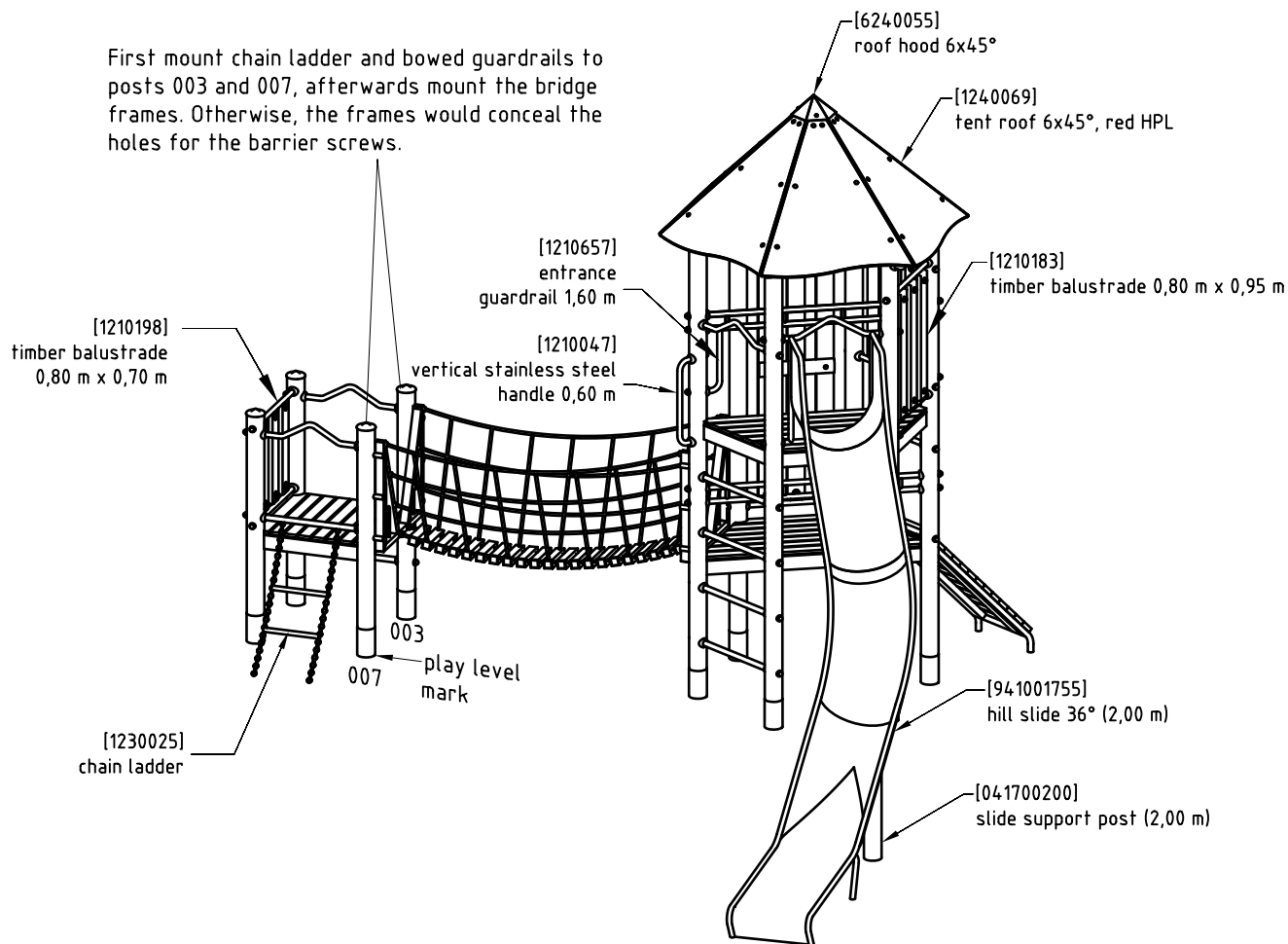
2 pcs. 0,30 x 0,30 x 0,40 m

1 pc. 0,40 x 0,40 x 0,60 m

1 pc. 0,90 x 0,75 x 0,40 m

(approximate) concrete needs

1,1 m³



1. Assign a device location considering the space requirements (impact area). Slide direction recommended: north-east or in half-shade of trees.
2. Excavate soil for foundations, according to drawing.
Please note: To achieve maximum stability and a safe installation, a moderate level of soil solubility is required.
3. Pour in a drain layer of gravel of approx. 10 cm thickness between the bottom of the posts and plain base of foundation.
4. Insert reinforcing steel into the corresponding holes of the posts.
5. Place posts type A (see foundation layout) into the respective foundation hole, according to the corresponding number. Play level mark (=aluminium blind rivet) complies with the installation depth. Align all posts by means of the play level mark facing into the same direction (see detail or foundation layout).

6. For installation of the pre-assembled components and/or single parts, the screws slightly have to be lubricated with installation paste!

Screw together platforms and posts by using the middle hole in the mounting brackets.

Tighten all screws after having aligned all components.

Install the slide exit with an inclination of 5° in sliding direction.

Screw connections see details in attached list.

We recommend not to insert the protection caps enclosed before first maintenance as they are only suitable for one-time use (see description in item No. 9).

7. Grout foundations with compressed concrete C20/25, chamfer and round off the edges, cover the foundations with a surface which meets the requirements for impact attenuation so that its critical fall height is equal to or greater than the maximum free height of fall of the equipment (acc. to EN 1176-1). The run-out section fall zone must have surfacing with a critical fall height of at least 1000 mm (acc. to EN 1176-3).
8. Release for play after concrete foundations have set.
9. According to maintenance instructions, check all screw connections after 4-5 weeks and retighten, if necessary. Afterwards cover the screw heads with the top part of the protection caps. Strongly pound them (e.g. by using a plastic mallet) until they audibly snap into the base part groove.

Please ensure that all special tools supplied (e.g. Allen key for secured Allen screws etc.) and all specific documents which are or may be useful for safety management acc. to EN 1176-7 (e.g. invoice, delivery note, order acknowledgement, installation instructions, maintenance instructions) are forwarded to the persons responsible.

**Necessarily insert all attachment parts before tightening the screws.
It is NOT possible to insert them afterwards.**

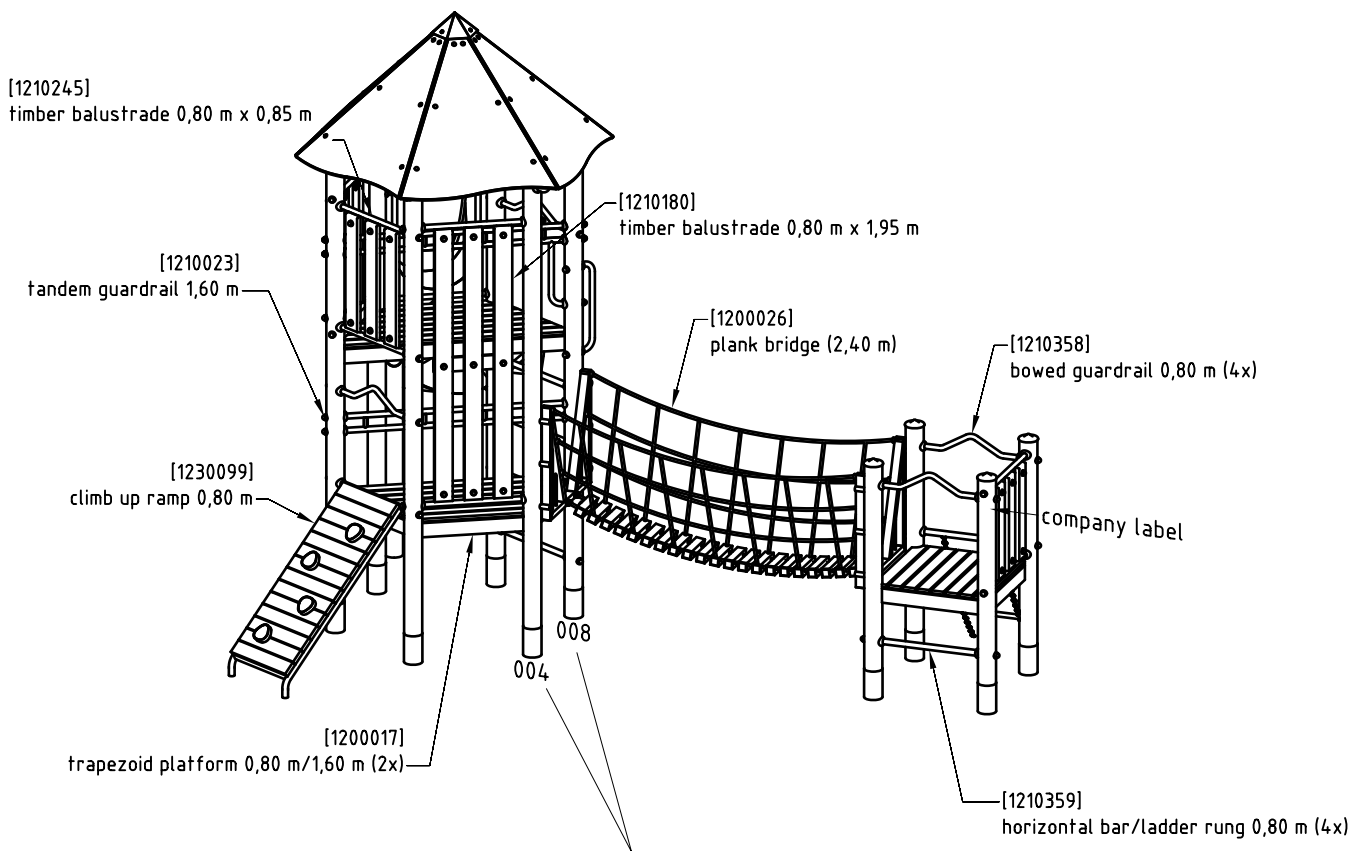
Installation instructions for plank bridge

(Screw connections of lateral rail ropes/net barrier to bridge frame see details in attached list)

- Screw together the eyebolts M12 at the rope ends of the wooden treads (two pieces on each side) and the fixing links of the bridge frame.

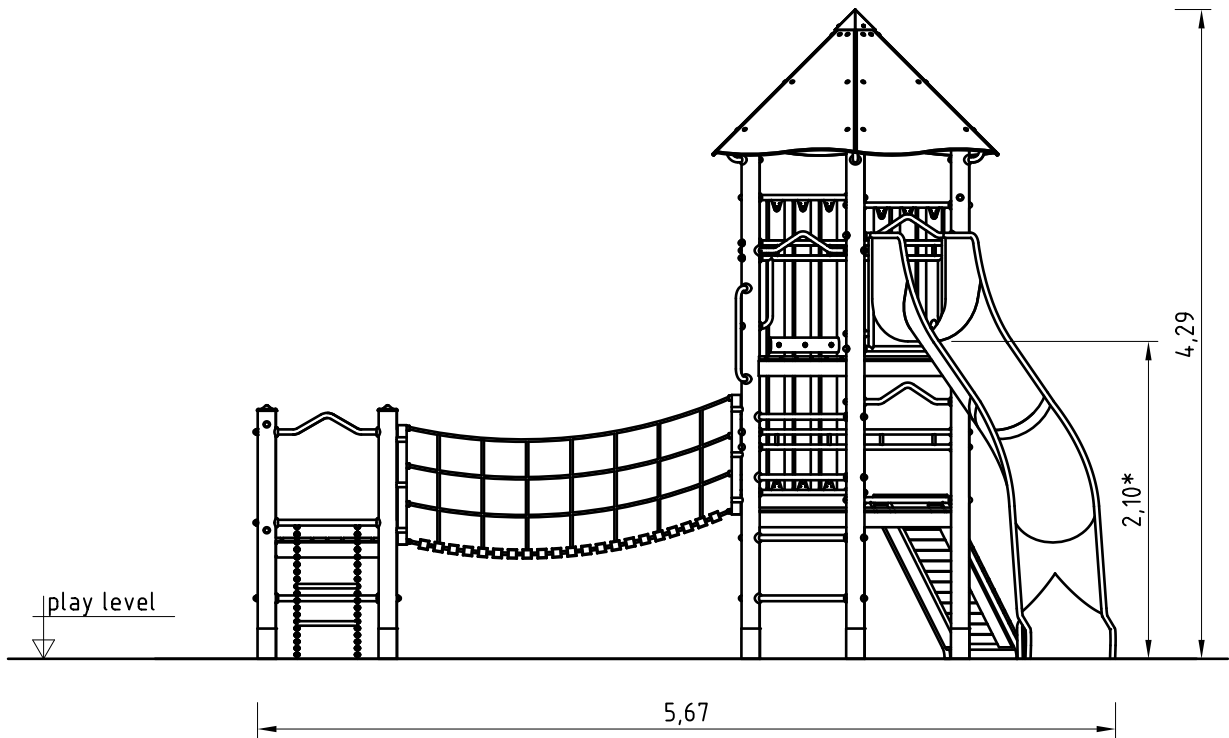
Caution: Do not clamp bolted connections, the eyebolts must remain flexible in the fixing links!

- Insert rope ends into connecting piece (socket) of bridge frame until the inner width between bridge frame and first vertical rope is at least 230 mm and the probe D (∅ 230 mm), specified in the standard for playground equipment and surfacing EN 1176-1, passes through the meshes of the lateral rail ropes. Perform test in the most onerous way. Once inserted into the socket, the aluminium sleeve pressed-on the rope end must be located behind the hole for oval head countersunk screw. Do not screw through the metal ring, this will destroy the rope end. Fix rope ends.
- The difference in height between the two terminal points must not exceed 0,20m. With an inclined installation, the meshes of the side rail ropes have to be checked for any possible head entrapment point, as specified in the standard for playground equipment and surfacing EN 1176-1. With the design of the lateral rail ropes given, each single mesh has to be big enough to facilitate that probe D (∅ 230 mm) passes through. Also perform this test in the most onerous way.

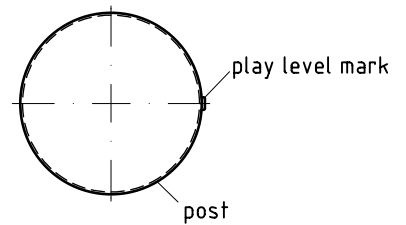


First mount horizontal bars and timber balustrade to posts 004 and 008, afterwards mount the bridge frames. Otherwise, the frames would conceal the holes for the barrier screws.

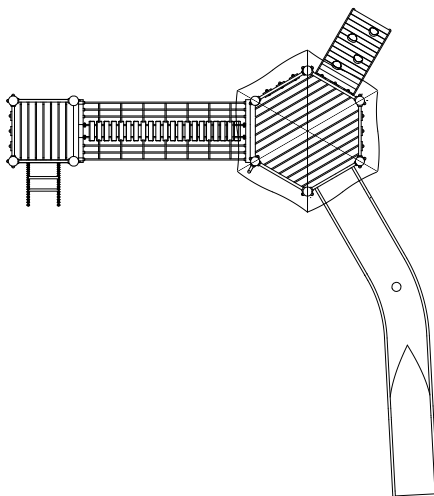
*max. free height of fall



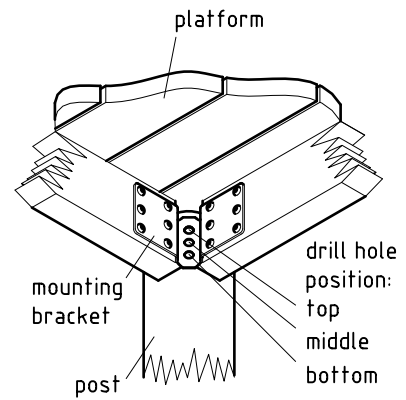
detail of play level mark
1:5

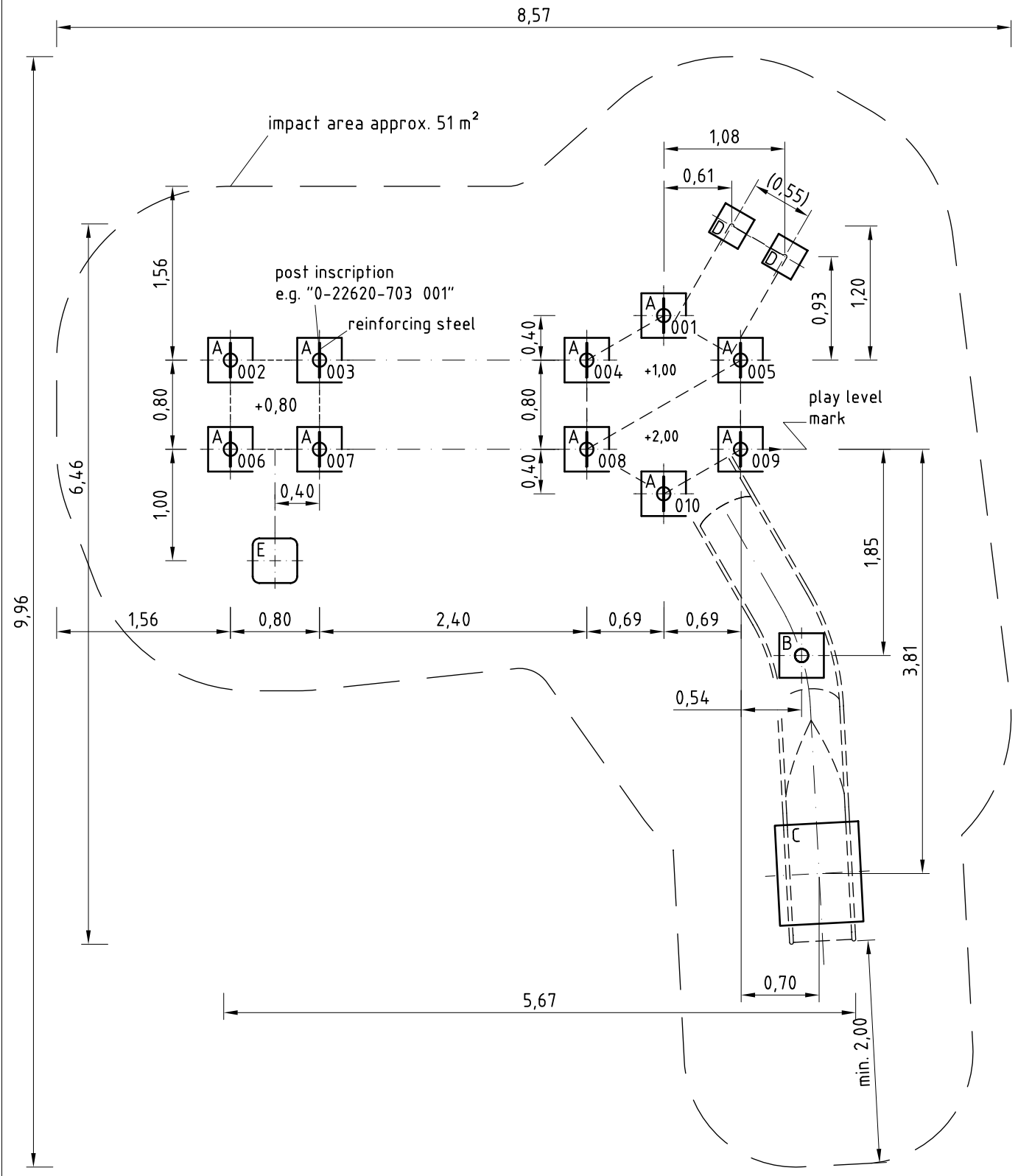


platform orientation
1:100



platform fastening
1:10





Installation

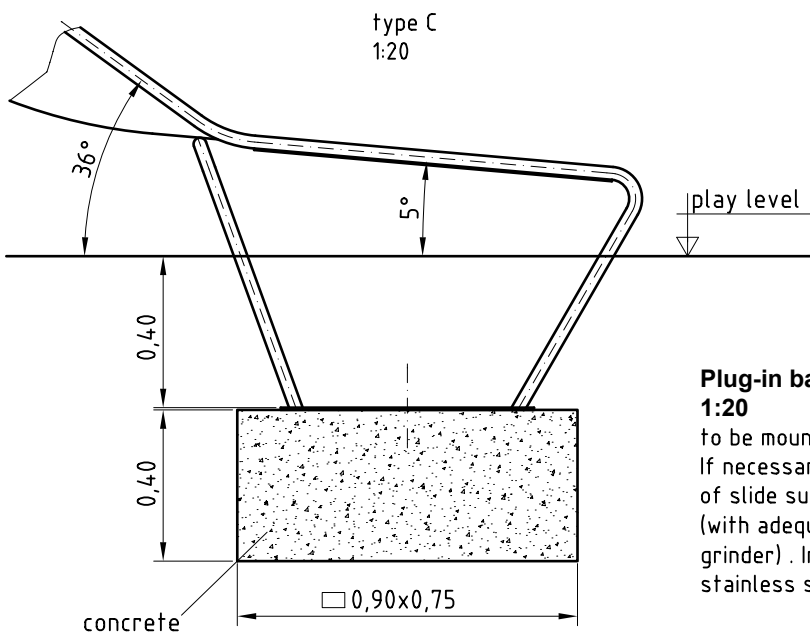
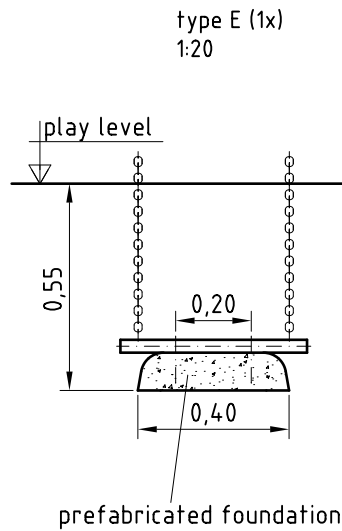
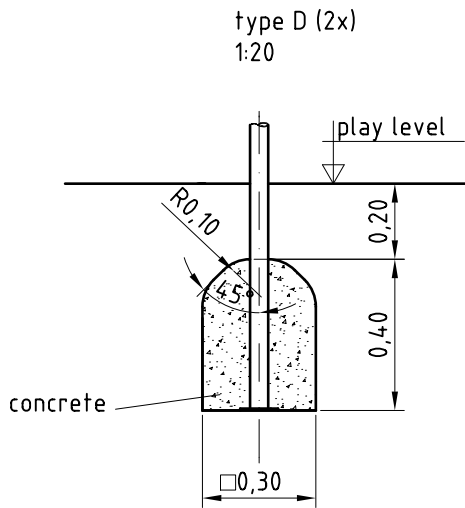
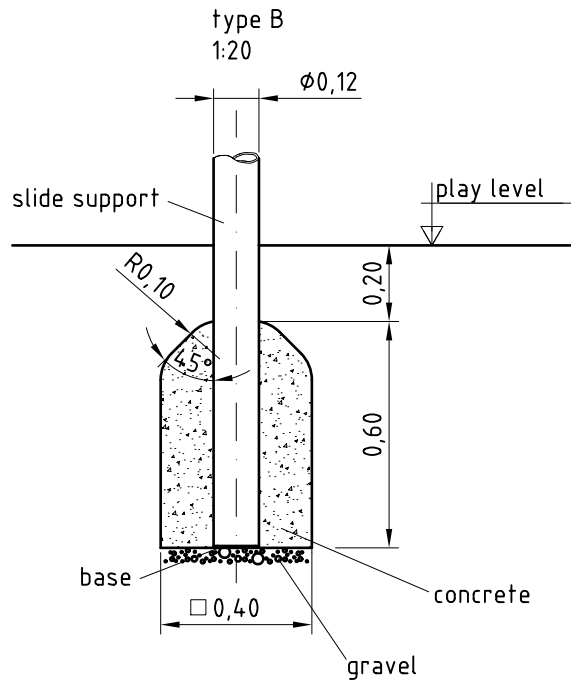
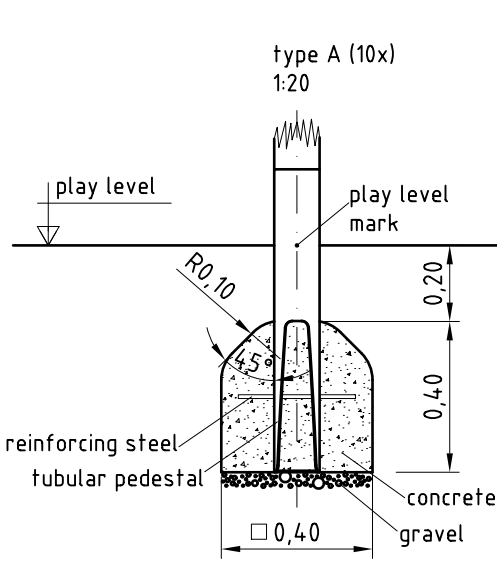
Item-No.
0-22620-703

Description
K&K Play structure

Scale
1:50

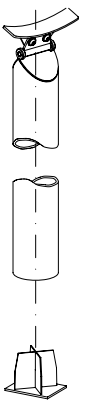
Date
11/19 BE

Page
5/6



**Plug-in base for slide support
1:20**

to be mounted as follows:
If necessary, shorten stainless steel post of slide support to the required length (with adequate appliance e.g. angle grinder). Insert base from below into the stainless steel post.



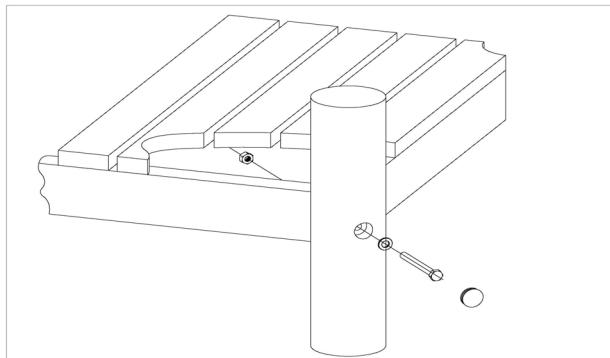
Item: **0-22620-703**
 K&K Play structure
 Location:

Order:

1293885

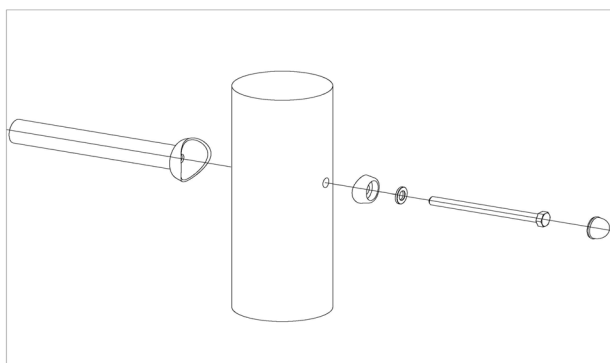
Building Project:

12 x SFRS1200001 Platform at Robinia post, nut is platform-sided



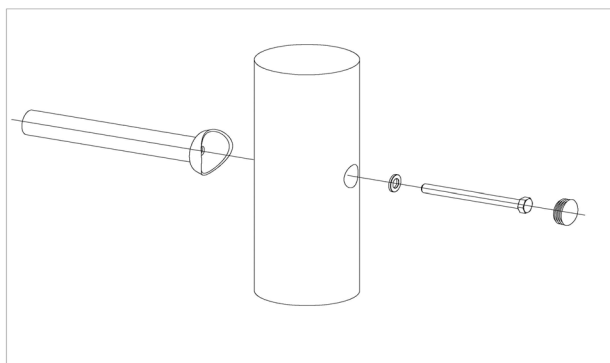
per SC	Total	K&K-Item	Marking
1 x	12 x	3430129	Washer Ø 14 DIN1440 A2
1 x	12 x	3430021	Lock nut M12 DIN985 A2
1 x	12 x	3300016	Grey domed plastic cover cap SL 36 G
1 x	12 x	3400700	Hexagon head screw M12 x 120 DIN931 A2 with screw security coating/FGB red

53 x SFRS1210001 Standard bolting of barriers, handrails, slides to Robinia posts



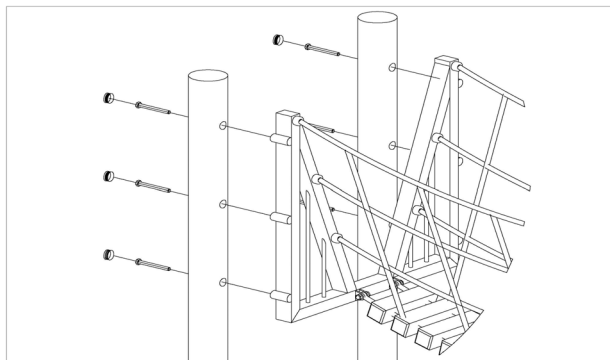
per SC	Total	K&K-Item	Marking
1 x	53 x	3300054	red protective screw cap - lower part, domed M12
1 x	53 x	3300055	red protective screw cap - upper part, domed M12
1 x	53 x	3430025	Washer Ø 13 DIN125 A2
1 x	53 x	3400702	Hexagon head cap screw M12 x 160 DIN931 A2 with screw security coating FGB red

7 x SFRS1230004 Standard bolting of climbing poles, ramps etc. to Robinia posts with countersunk holes



per SC	Total	K&K-Item	Marking
1 x	7 x	3300016	Grey domed plastic cover cap SL 36 G
1 x	7 x	3430129	Washer Ø 14 DIN1440 A2
1 x	7 x	3400701	Hexagon head cap screw M12 x 130 DIN931 A2 with screw retention coating/FGB red

12 x SFRS1200006 Plank bridge frame at Robinia posts



per SC	Total	K&K-Item	Marking
1 x	12 x	3300016	Grey domed plastic cover cap SL 36 G
1 x	12 x	3400395	Hexagon head cap screw M12 x 110 DIN931 A2
1 x	12 x	3430129	Washer Ø 14 DIN1440 A2

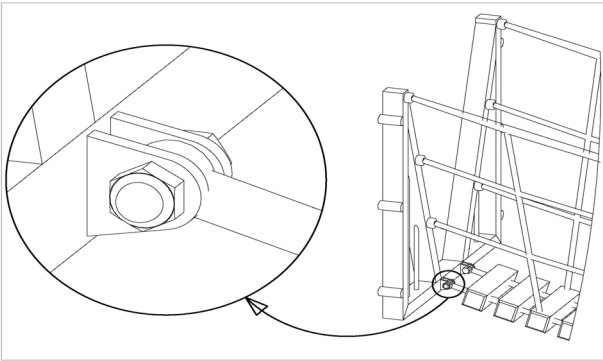
Item: **0-22620-703**
 K&K Play structure
 Location:

Order:

1293885

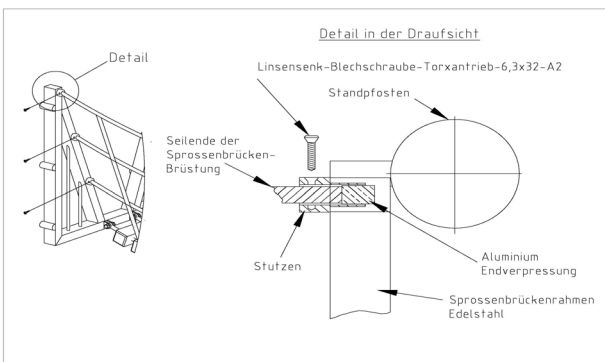
Building Project:

2 x SFAS120004 Supporting cable for plank bridge at frame



per SC	Total	K&K-Item	Marking
2 x	4 x	3430025	Washer Ø 13 DIN125 A2
2 x	4 x	3430051	Hexagon cap nut M12 DIN 986 A2
2 x	4 x	2030519	Fixing srew M12x45 for plank bridges

2 x SFAS120001 Plank bridge railing ropes in plank bridge frame



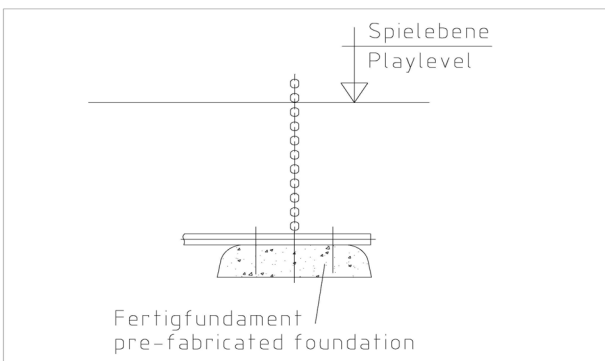
per SC	Total	K&K-Item	Marking
6 x	12 x	3400515	Oval head countersunk screw Torx Ø 6,3 x 32 galv.

1 x SFWZ000010 Security bit TORX PLUS IPR 30 x 25



per SC	Total	K&K-Item	Marking
1 x	1 x	3490038	Security bit TORX PLUS IPR 30 x 25

1 x SFAS1230007 Connection pipe between chain ladder/space net/ climbing net and prefabricated foundation (item N° 15150)



per SC	Total	K&K-Item	Marking
2 x	2 x	3430025	Washer Ø 13 DIN125 A2
2 x	2 x	3400498	Hexagon head cap screw M12 x 55 DIN931 A2

Item: **0-22620-703**
K&K Play structure

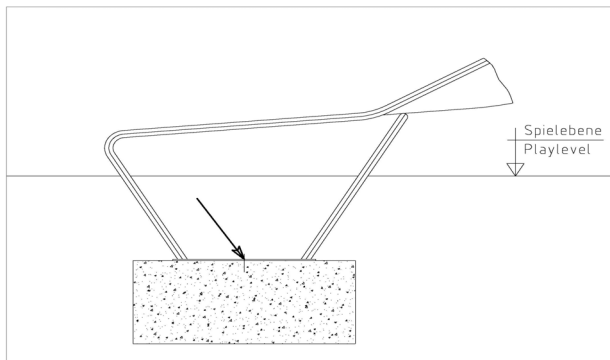
Order:

1293885

Location:

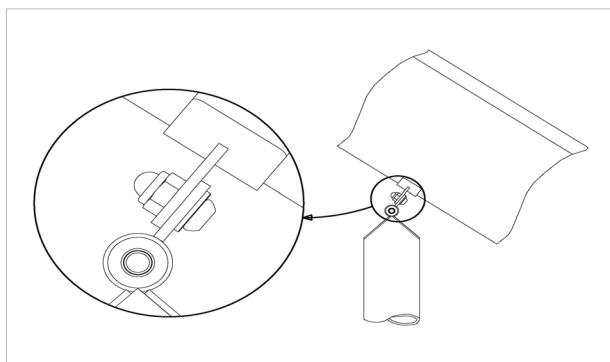
Building Project:

1 x SFAS1070007 Slide run-out section (mini) stone bolt assembly



per SC	Total	K&K-Item	Marking
2 x	2 x	1070365	Set of stone bolts for slide run-out section M12x160

1 x SFAS1070004 Slide support post below hill slide



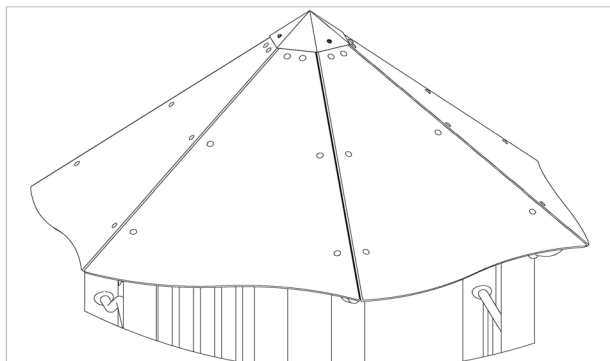
per SC	Total	K&K-Item	Marking
2 x	2 x	3430025	Washer Ø 13 DIN125 A2
2 x	2 x	3400622	Dome head security bolt M12 x 25 PinHexagon A2 safety coated thread

1 x SFWZ0000005 Allen key security hex socket AF8

per SC	Total	K&K-Item	Marking
1 x	1 x	3490057	Allen key security hex socket AF8



**1 x SFAS1240013 Tent roof 6 x 0,80 m with roof hood
HPL plates on metal supports and roof hood fastening**



per SC	Total	K&K-Item	Marking
3 x	3 x	3400673	Dome head screw M8x20 A2 Security Torx TR40
3 x	3 x	3430102	Washer Ø 8.4 DIN9021 A2
36 x	36 x	3430011	Hexagon cap nut M10 DIN986 A2
36 x	36 x	3430014	Washer Ø 10,5 DIN125 form B A2
36 x	36 x	3400138	mushroom head screw square neck M10x30 DIN 60

Item: **0-22620-703**
K&K Play structure

Order:

1293885

Location:

Building Project:

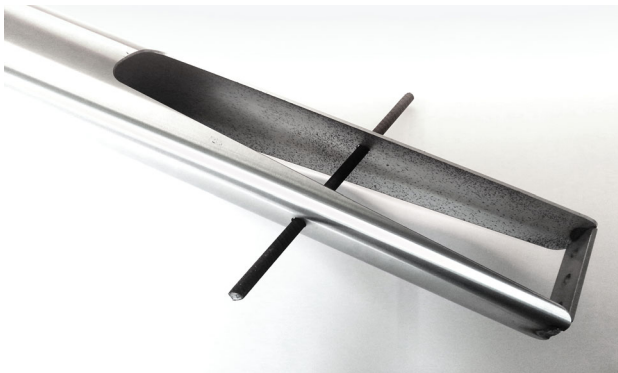
1 x SFWZ000001 Security TORX wrench TR40

per SC	Total	K&K-Item	Marking
1 x	1 x	3490081	Security TORX wrench TR40



10 x SFES1270007 Reinforcing steel for tubular pedestals

per SC	Total	K&K-Item	Marking
1 x	10 x	2130000	Reinforcing steel Ø 10 x 310 DIN 488



2 x SFWZ0000012 Lubricating metal (30g box) incl. brush

per SC	Total	K&K-Item	Marking
1 x	2 x	5300039	Lubricating metal box 30g
1 x	2 x	5200026	Brush for lubricating metal

