



foundations (on site)

10 pcs. 0,40 x 0,40 x 0,40 m

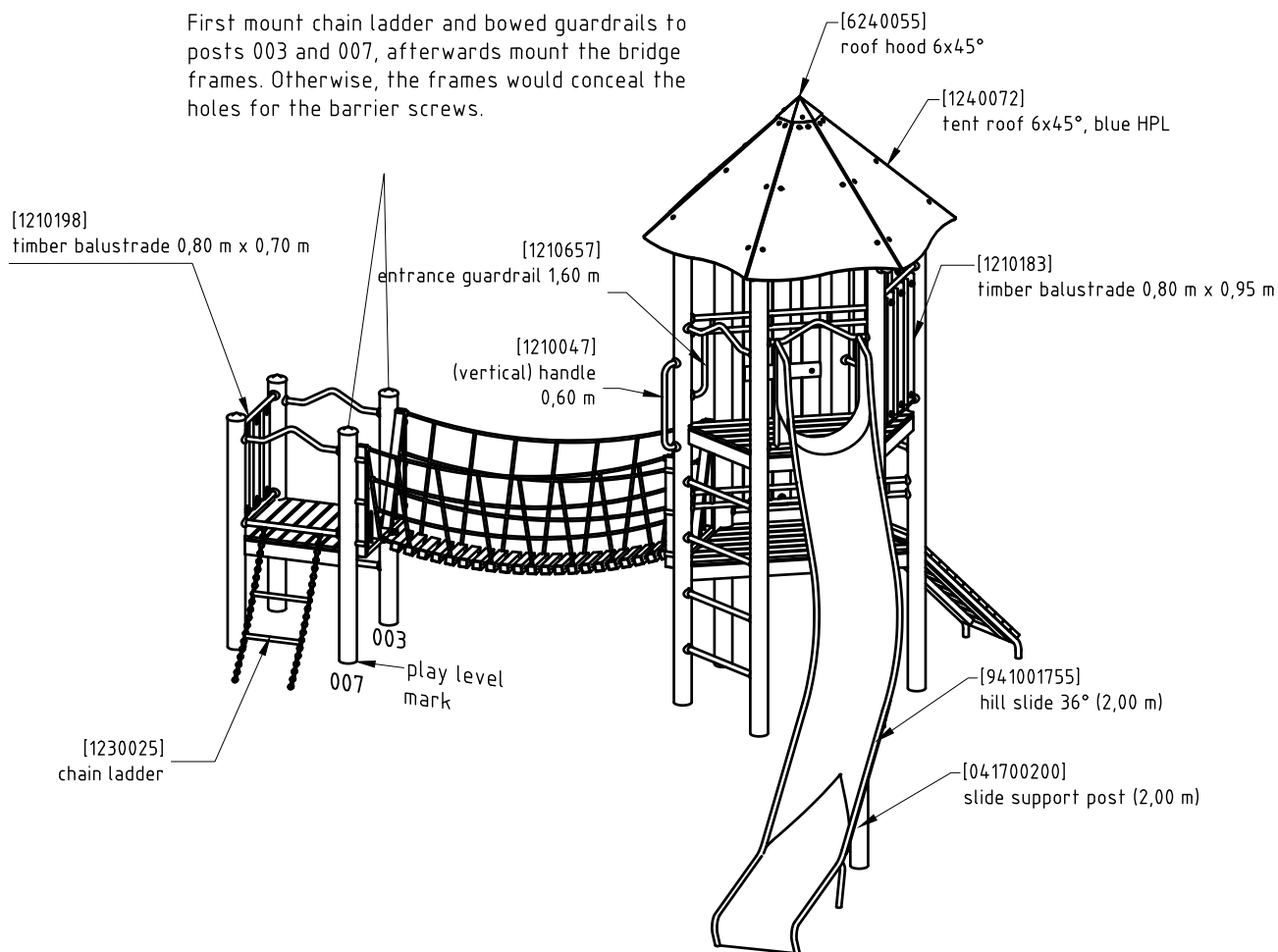
2 pcs. 0,30 x 0,30 x 0,40 m

1 pc. 0,40 x 0,40 x 0,60 m

1 pc. 0,90 x 0,75 x 0,40 m

(approximate) concrete needs

1,1 m<sup>3</sup>



1. Assign a device location considering the space requirements (impact area). Slide direction recommended: north-east or in half-shade of trees.
2. Excavate soil for foundations, according to drawing.  
Please note: To achieve maximum stability and a safe installation, a moderate level of soil solubility is required.
3. Pour in a drain layer of gravel of approx. 10 cm thickness between the bottom of the posts and plain base of foundation.
4. Insert reinforcing steel into the corresponding holes of the posts.
5. Place posts type A according to the corresponding number (see foundation layout) into the respective foundation hole. Play level mark (=aluminium blind rivet) complies with the installation depth. Align every post by means of the play level mark facing into the same direction (see detail or foundation layout).

**6. For installation of the pre-assembled components and/or single parts, the screws slightly have to be lubricated with installation paste!**

Screw together platforms and posts by using the middle hole in the mounting brackets.

**Tighten all screws after having aligned all components.**

Install the slide exit with an inclination of 5° in sliding direction.

Screw connections see details in attached list.

7. Grout foundations with compressed concrete C20/25, chamfer and round off the edges, cover the foundations with a surface which meets the requirements for impact attenuation so that the critical fall height of the surfacing is equal to, or greater than, the free height of fall of the equipment (acc. to EN 1176-1). The run-out section fall zone must have surfacing with a critical fall height of at least 1000mm (acc. to EN 1176-3).
8. Release for play after concrete foundations have set.
9. According to maintenance instructions, check all screw connections after 4-5 weeks and retighten, if necessary.

Please ensure that all special tools supplied (e.g. Allen key for secured Allen screws etc.) and all specific documents which are or may be useful for safety management acc. to EN 1176-7 (e.g. invoice, delivery note, order acknowledgement, installation instructions, maintenance instructions) are forwarded to the persons responsible.

**Necessarily insert all attachment parts before tightening the screws. It is NOT possible to insert them afterwards.**

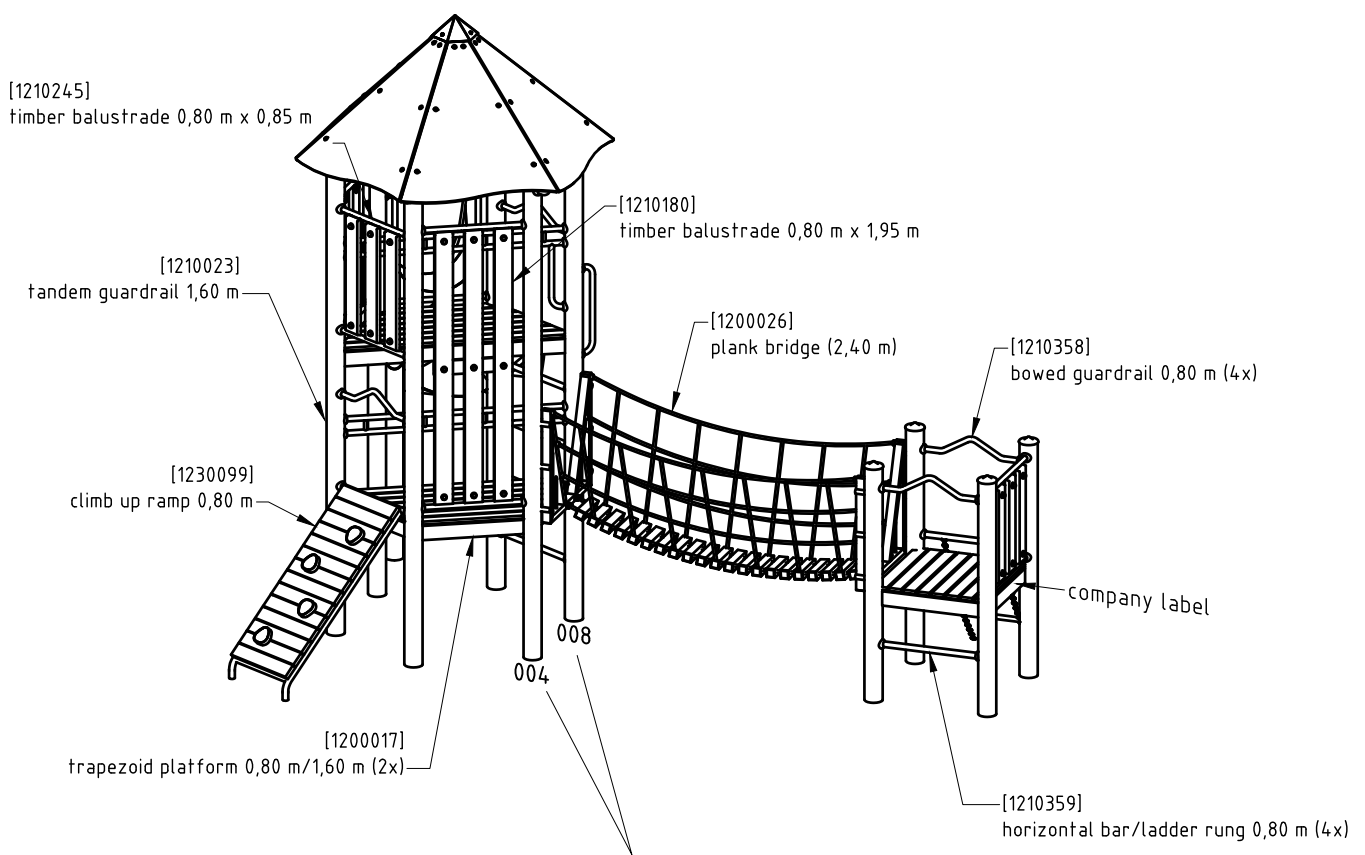
Installation instructions for plank bridge

(Screw connections of lateral rail ropes/net barrier to bridge frame see details in attached list)

- Screw together the eyebolts M12 at the rope ends of the wooden treads (two pieces on each side) and the fixing links of the bridge frame.

**Caution:** Do not clamp bolted connections, the eyebolts must remain flexible in the fixing links!

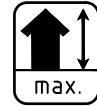
- Insert rope ends into connecting piece (socket) of bridge frame until the inner width between bridge frame and first vertical rope is at least 230 mm and the probe D (Ø 230 mm), specified in the standard for playground equipment and surfacing EN 1176-1, passes through the meshes of the lateral rail ropes. Perform test in the most onerous way. Once inserted into the socket, the aluminium sleeve pressed-on the rope end must be located behind the hole for oval head countersunk screw. Do not screw through the metal ring, this will destroy the rope end. Fix rope ends.
- The difference in height between the two terminal points must not exceed 0,20m. With an inclined installation, the meshes of the side rail ropes have to be checked for any possible head entrapment point, as specified in the standard for playground equipment and surfacing EN 1176-1. With the design of the lateral rail ropes given, each single mesh has to be big enough to facilitate that probe D (Ø 230 mm) passes through. Also perform this test in the most onerous way.



First mount horizontal bars and timber balustrade to posts 004 and 008, afterwards mount the bridge frames. Otherwise, the frames would conceal the holes for the barrier screws.

Space occupied by equipment  
5,68 x 6,46 x 4,30 m

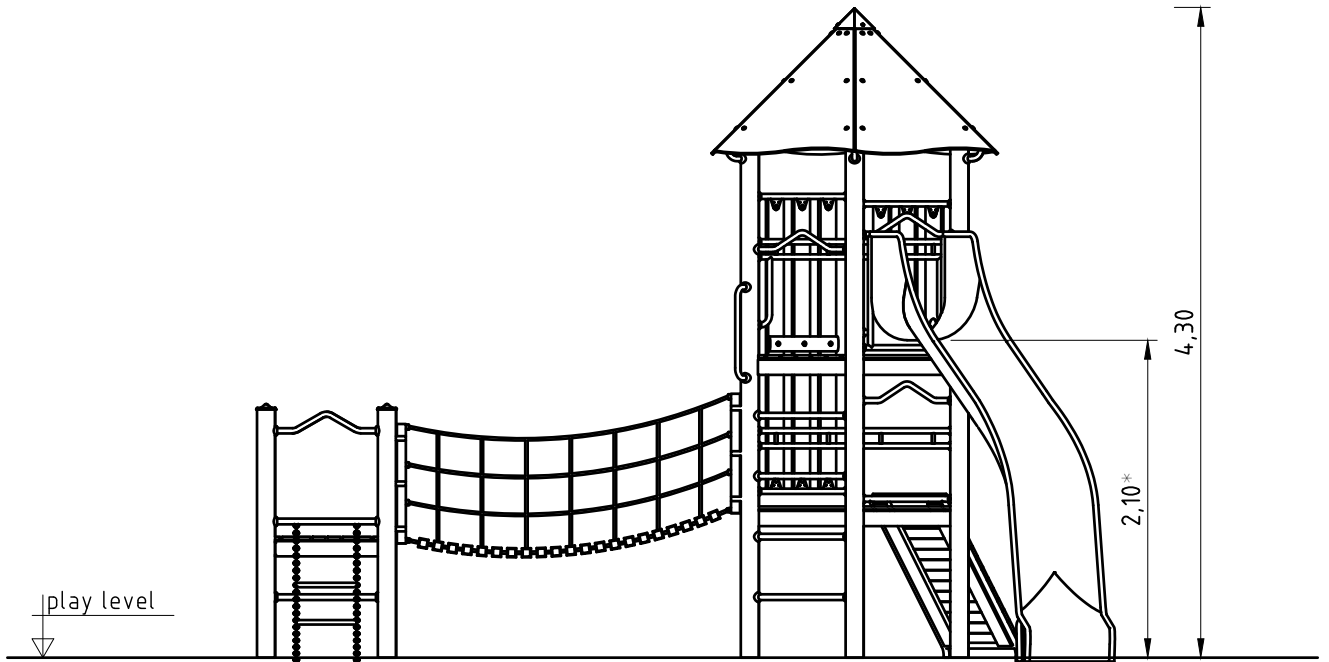
dimension mark - total height of the equipment



www.kaiser-kuehne.com Tel. +49(0)4254 - 93150

© Kaiser & Kühne Freizeitgeräte D-27324 Eystrup

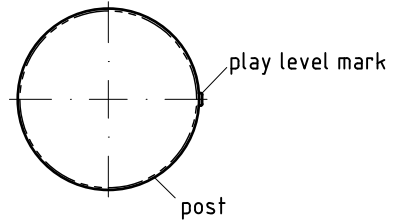
K & K Installation



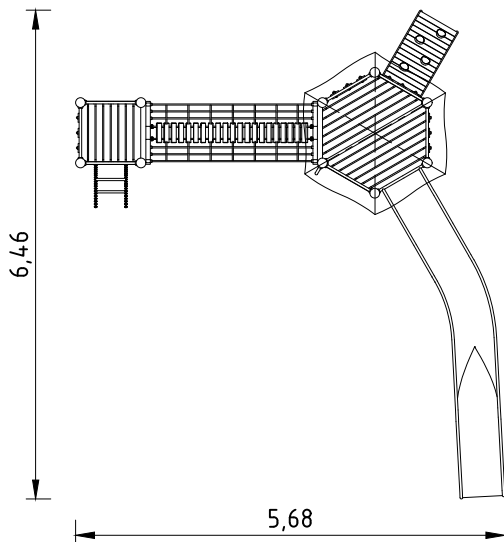
dimension mark - maximum free height of fall



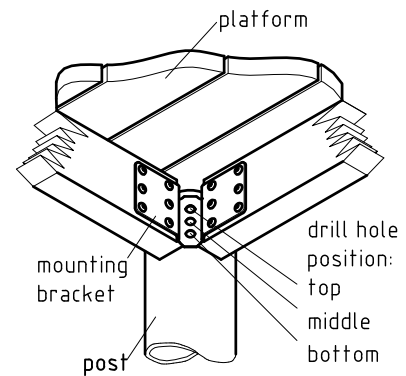
detail of play level mark  
1:5



platform orientation  
1:100



platform fastening  
1:10

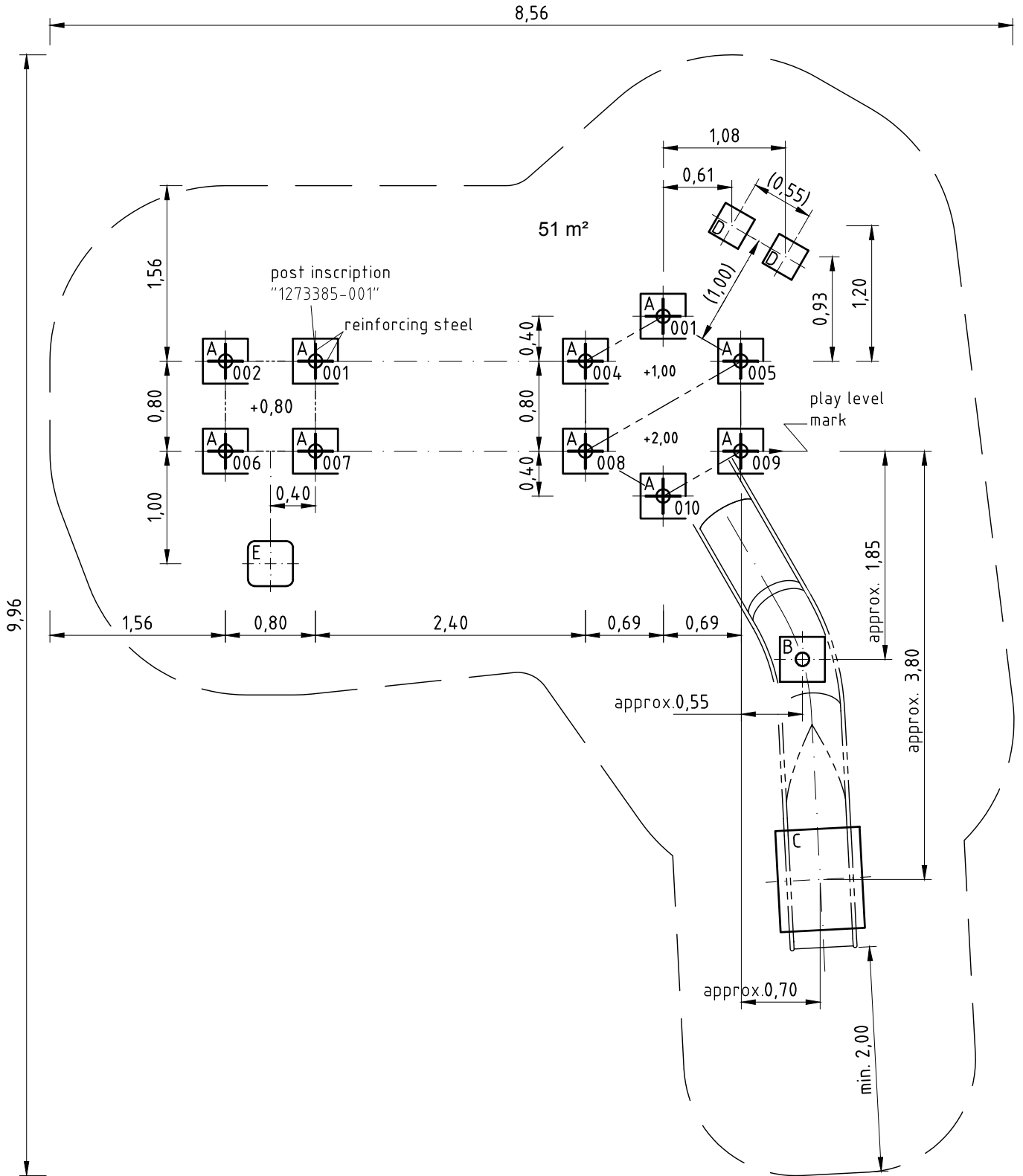


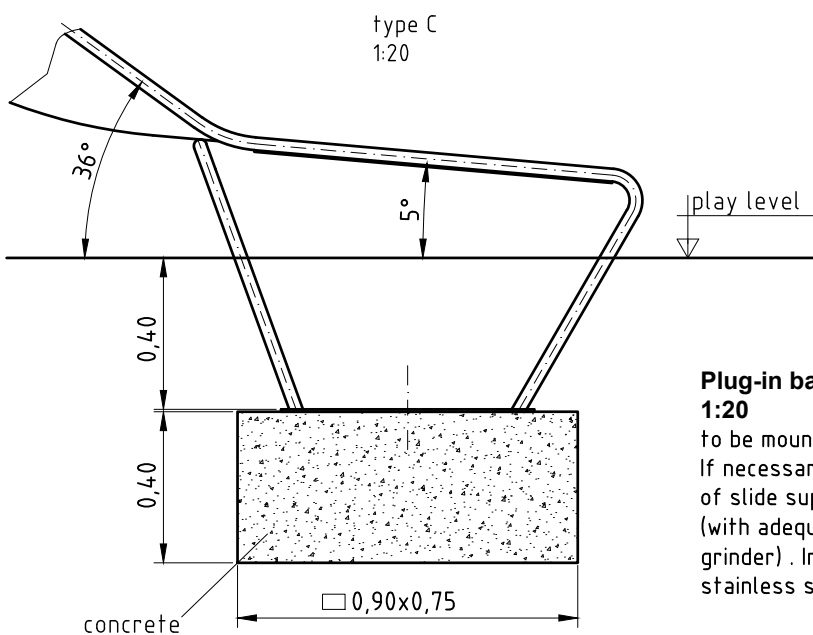
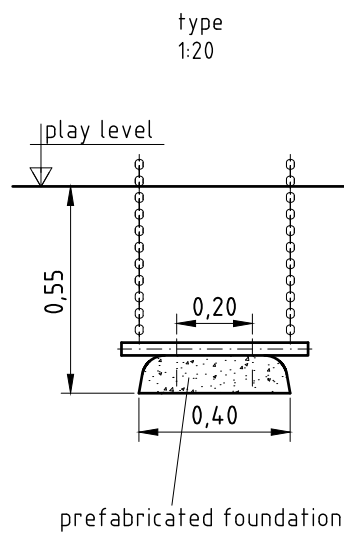
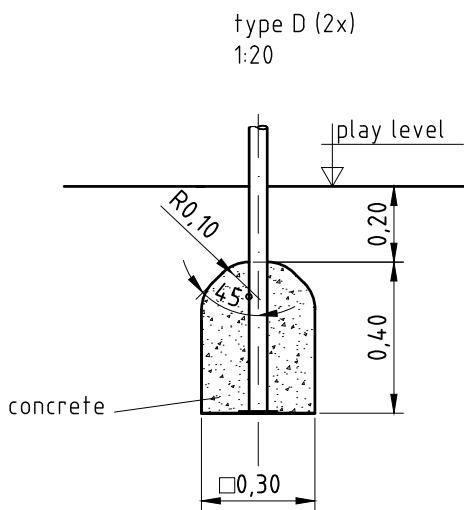
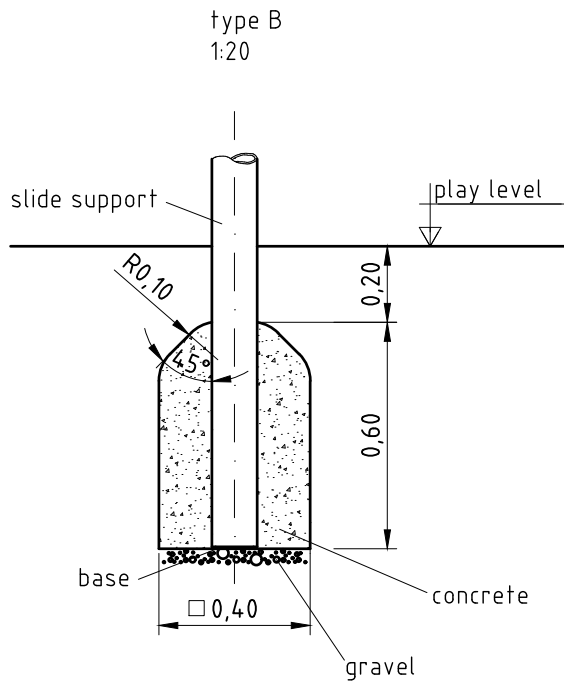
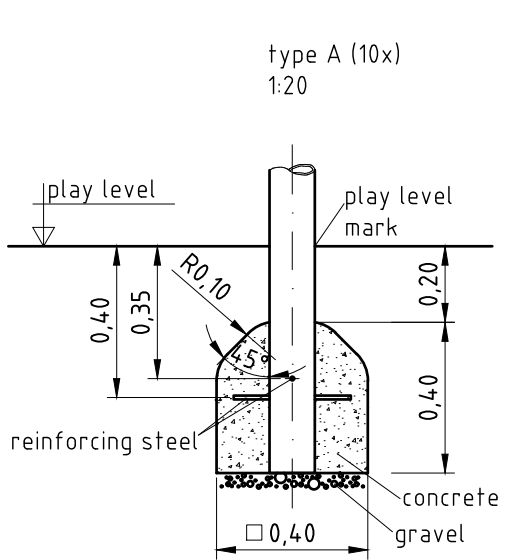
Minimum space  
8,56 x 9,96 x 4,30 m

www.kaiser-kuehne.com Tel. +49(0)4254 - 93150

© Kaiser & Kühne Freizeitgeräte D-27324 Eystrup

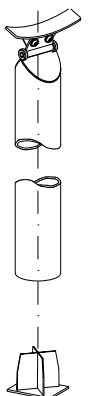
K & K Installation

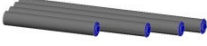

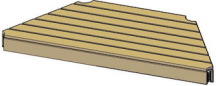


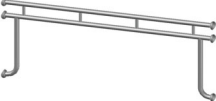



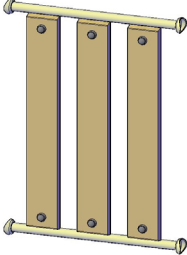






**Plug-in base for slide support  
1:20**


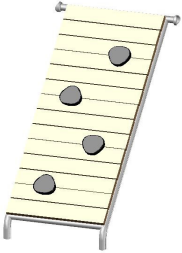
to be mounted as follows:  
If necessary, shorten stainless steel post of slide support to the required length (with adequate appliance e.g. angle grinder). Insert base from below into the stainless steel post.



<u>Parts list</u>		022620503	GB
item no.	quantity	description	image
1273385	1	set of 10 pcs. of stainless steel posts with stainless steel post cap / blue RAL 5015	
1200000	1	square platform 0,80 m x 0,80 m	
1200017	2	trapezoid platform 0,80 m/1,60 m	
1210358	4	bowed guardrail 0,80 m	
1210023	1	tandem guardrail 1,60 m	
1210657	1	entrance guardrail 1,60 m	

<u>Parts list</u>		022620503	GB
item no.	quantity	description	image
1210198	1	timber infill barrier 0,80 m x 0,70 m	
1210183	1	timber balustrade 0,80 m x 0,95 m	
1210180	1	timber balustrade 0,80 m x 1,95 m	
1210245	1	timber infill barrier 0,80 m x 0,85 m	
1230025	1	sloped chain ladder 0,80 installation height 0,80	
1210359	5	horizontal bar/ladder rung 0,80 m	



<u>Parts list</u>		022620503	GB
item no.	quantity	description	image
1210047	1	vertical stainless steel handle 0,60 m	
1230099	1	climb up ramp 0,80 m platform height 1,00 m	

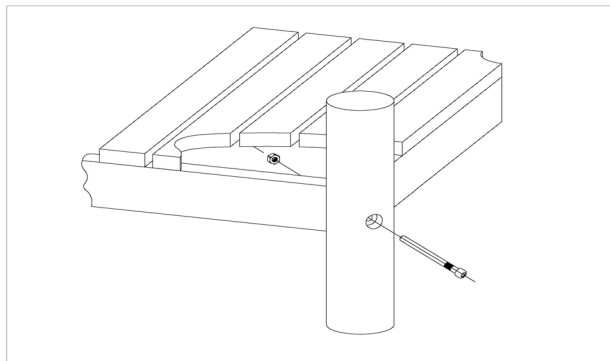
Item: **022620503**  
 K&K Play structure  
 Location:

Order:

1293657

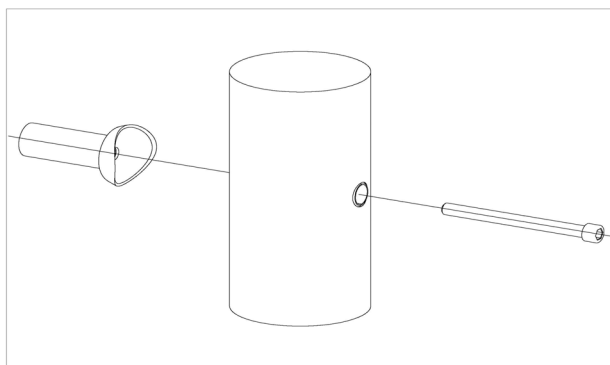
Building Project:

**12 x SFES1200001 Platform fastening to stainless steel post, nut on the side of the platform**



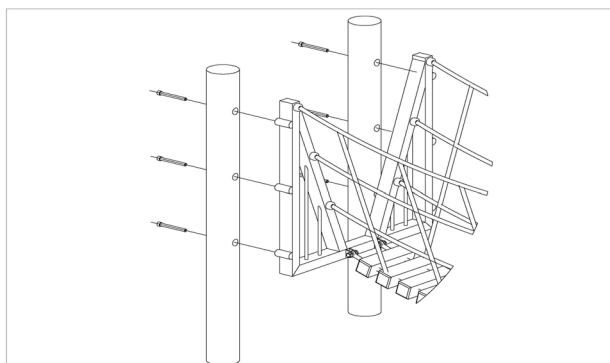
per SC	Total	K&K-Item	Marking
1 x	12 x	3430021	Lock nut M12 DIN985 A2
1 x	12 x	2030651	Cheese head screw with pin M12 x 125

**60 x SFES1210001 Standard bolting of attachment parts (except platforms) to stainless steel posts**



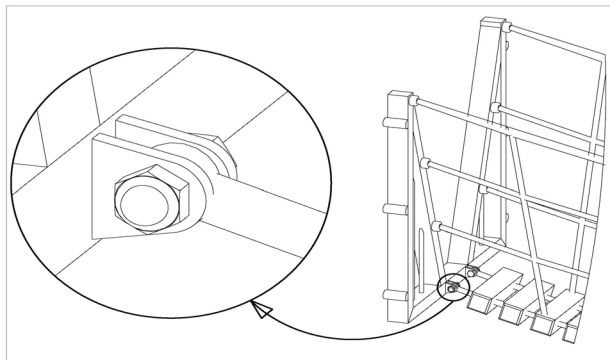
per SC	Total	K&K-Item	Marking
1 x	60 x	2030168	Cheese head screw with pin M12x140

**12 x SFES1200006 Plank bridge frame at stainless steel post**



per SC	Total	K&K-Item	Marking
1 x	12 x	2030246	Cheese head screw M12 x 110 with pin

**2 x SFAS1200004 Supporting cable for plank bridge at frame**



per SC	Total	K&K-Item	Marking
2 x	4 x	3430051	Hexagon cap nut M12 DIN 986 A2
2 x	4 x	3430025	Washer Ø 13 DIN125 A2
2 x	4 x	2030519	Fixing screw M12x45 for plank bridges

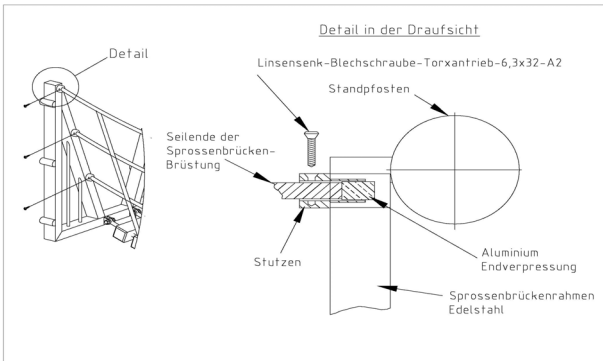
Item: **022620503**  
 K&K Play structure  
 Location:

Order:

1293657

Building Project:

**2 x SFAS1200001 Plank bridge railing ropes in plank bridge frame**



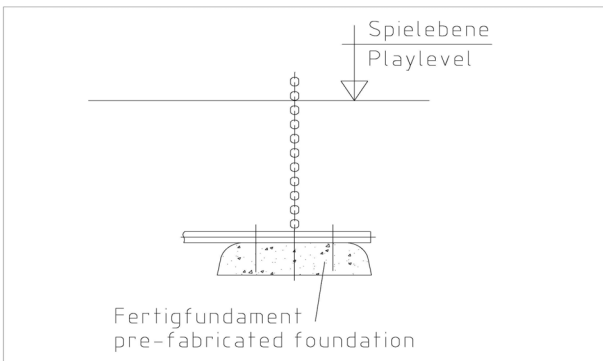
per SC	Total	K&K-Item	Marking
6 x	12 x	3400515	Oval head countersunk screw Torx Ø 6,3 x 32 galv.

**1 x SFWZ0000010 Security bit TORX PLUS IPR 30 x 25**



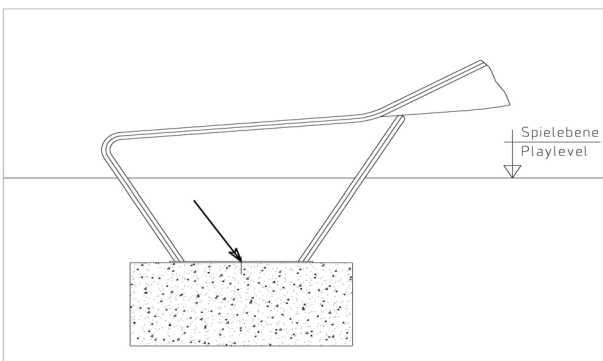
per SC	Total	K&K-Item	Marking
1 x	1 x	3490038	Security bit TORX PLUS IPR 30 x 25

**1 x SFAS1230007 Connection pipe between chain ladder/space net/ climbing net and prefabricated foundation (item N° 15150)**



per SC	Total	K&K-Item	Marking
2 x	2 x	3430025	Washer Ø 13 DIN125 A2
2 x	2 x	3400498	Hexagon head cap screw M12 x 55 DIN931 A2

**1 x SFAS1070007 Slide run-out section (mini) stone bolt assembly**



per SC	Total	K&K-Item	Marking
2 x	2 x	1070365	Set of stone bolts for slide run-out section M12x160

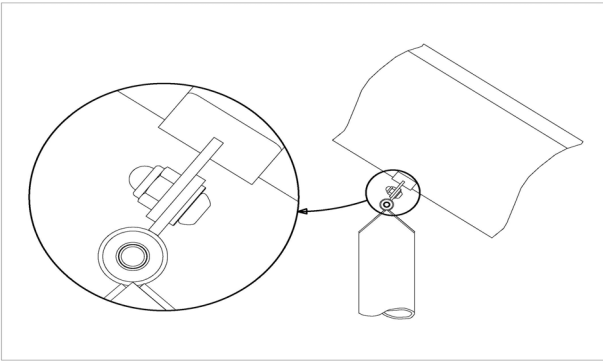
Item: **022620503**  
 K&K Play structure  
 Location:

Order:

1293657

Building Project:

**1 x SFAS1070004 Slide support post below hill slide**



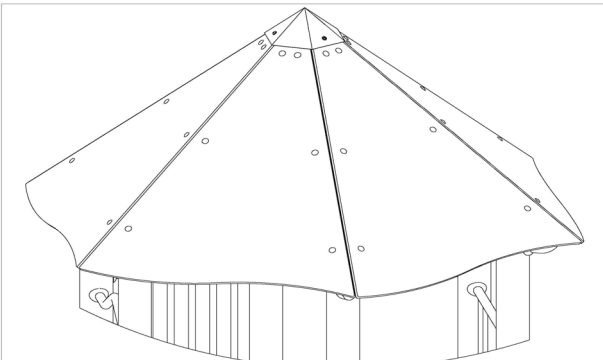
per SC	Total	K&K-Item	Marking
2 x	2 x	3430025	Washer Ø 13 DIN125 A2
2 x	2 x	3400622	Dome head security bolt M12 x 25 PinHexagon A2 safety coated thread

**1 x SFWZ0000005 Allen key security hex socket AF8**



per SC	Total	K&K-Item	Marking
1 x	1 x	3490057	Allen key security hex socket AF8

**1 x SFAS1240013 Tent roof 6 x 0,80 m with roof hood  
 HPL plates on metal supports and roof hood fastening**



per SC	Total	K&K-Item	Marking
3 x	3 x	3430102	Washer Ø 8.4 DIN9021 A2
36 x	36 x	3430014	Washer Ø 10,5 DIN125 form B A2
3 x	3 x	3400673	Dome head screw M8x20 A2 Security Torx TR40
36 x	36 x	3430011	Hexagon cap nut M10 DIN986 A2
36 x	36 x	3400138	mushroom head screw square neck M10x30 DIN 60

**1 x SFWZ0000001 Security TORX wrench TR40**



per SC	Total	K&K-Item	Marking
1 x	1 x	3490081	Security TORX wrench TR40

Item: **022620503**  
K&K Play structure  
Location:

Order:

1293657

Building Project:

**1 x SFWZ000009 Hexagon insert socket driver 10mm 1/2" with borehole for Pin**



per SC	Total	K&K-Item	Marking
1 x	1 x	2030170	Hexagon insert socket driver 10 mm 1/2" with drill hole for Pin

**10 x SFES1270001 Reinforcing steel for stainless steel posts**



per SC	Total	K&K-Item	Marking
2 x	20 x	2130000	Reinforcing steel Ø 10 x 310 DIN 488

**2 x SFWZ0000012 Lubricating metal (30g box) incl. brush**



per SC	Total	K&K-Item	Marking
1 x	2 x	5300039	Lubricating metal box 30g
1 x	2 x	5200026	Brush for lubricating metal