

1. Assign a device location considering the space requirements (impact area).  
Slide direction recommended: north-east or in half-shade of trees.
2. Excavate soil for foundations, according to drawing.  
Please note: To achieve maximum stability and a safe installation, a moderate level of soil solubility is required.
3. Pour in a drain layer of gravel of approx. 10 cm thickness between the bottom of the posts and plain base of foundation.
4. Insert reinforcing steel into the corresponding holes of the posts.
5. Place posts type A according to the corresponding number (see foundation layout) into the respective foundation hole. Play level mark (=aluminium blind rivet) complies with the installation depth. Align every post by means of the play level mark facing into the same direction (see detail or foundation layout).

**6. For installation of the pre-assembled components and/or single parts, the screws slightly have to be lubricated with installation paste!**

Screw together platforms and posts by using the respective hole in the mounting brackets (according to "chart for platform fastenings").

**Tighten all screws after having aligned all components.**

Install the slide exit with an inclination of 5° in sliding direction so that rain water can drain off.

Screw connections see details in attached list.

7. Grout foundations with compressed concrete C20/25, chamfer and round off the edges, cover the foundations with a surface which meets the requirements for impact attenuation so that the critical fall height of the surfacing is equal to, or greater than, the free height of fall of the equipment (acc. to EN 1176-1). The run-out section fall zone must have surfacing with a critical fall height of at least 1000mm (acc. to EN 1176-3).
8. Release for play after concrete foundations have set.
9. According to maintenance instructions, check all screw connections after 4-5 weeks and retighten, if necessary.

Please ensure that all special tools supplied (e.g. Allen key for secured Allen screws etc.) and all specific documents which are or may be useful for safety management acc. to EN 1176-7 (e.g. invoice, delivery note, order acknowledgement, installation instructions, maintenance instructions) are forwarded to the persons responsible.

**Necessarily insert all attachment parts before tightening the screws. It is NOT possible to insert them afterwards.**

platform orientation/numbers  
1:100

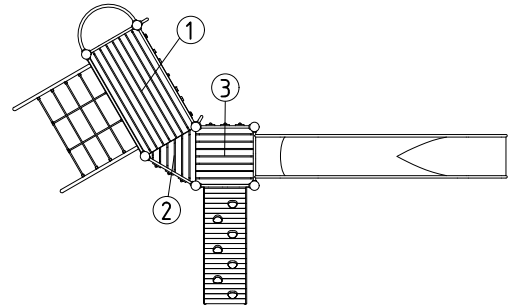
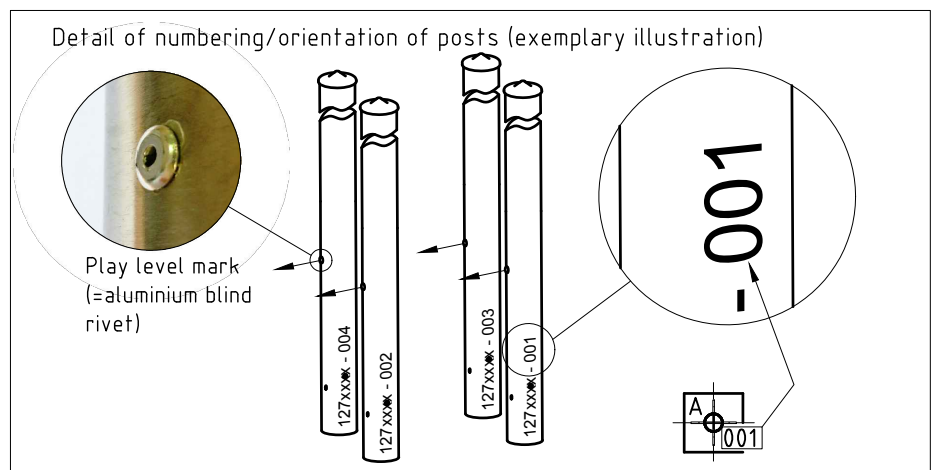
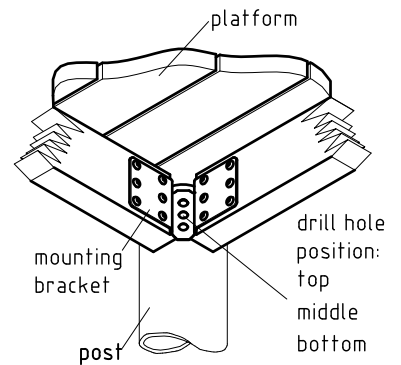


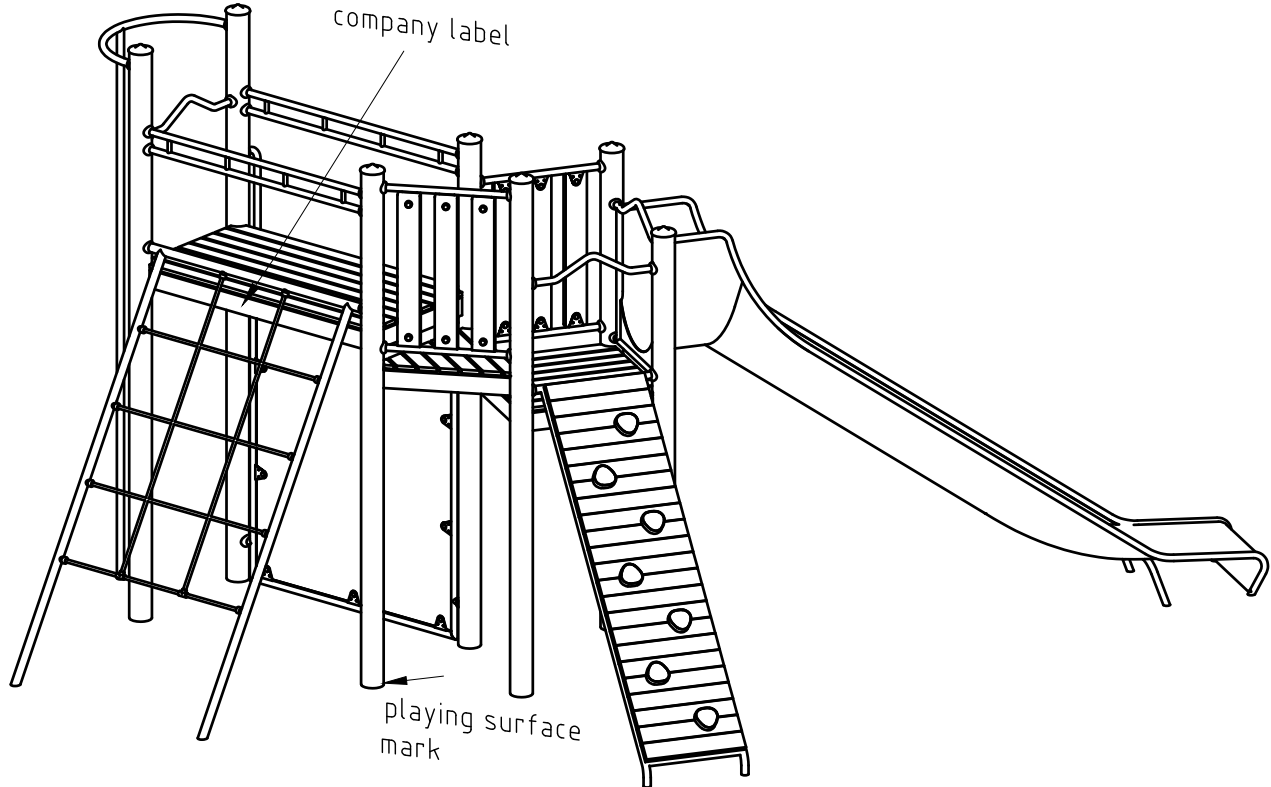
chart for platform fastenings

No.	height	drill hole position in mounting bracket		
		top	middle	bottom
①	2,00	x		
②	1,80	x		
③	1,60		x	

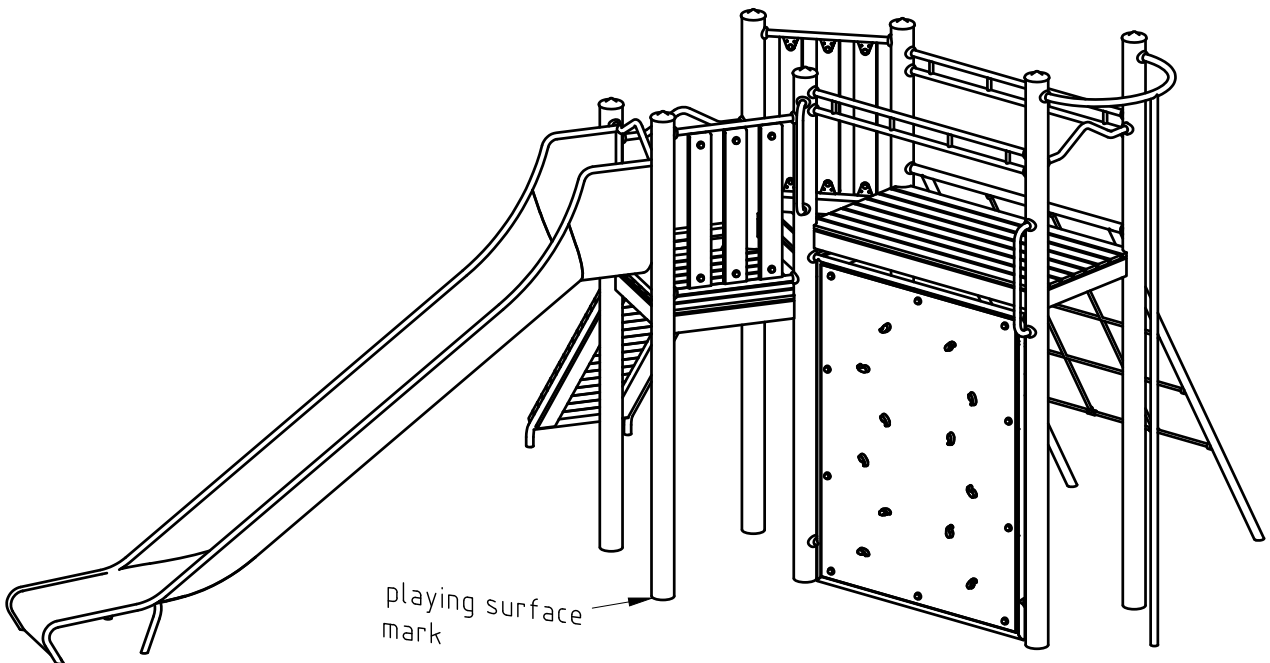
platform fastening  
1:10



Spatial view

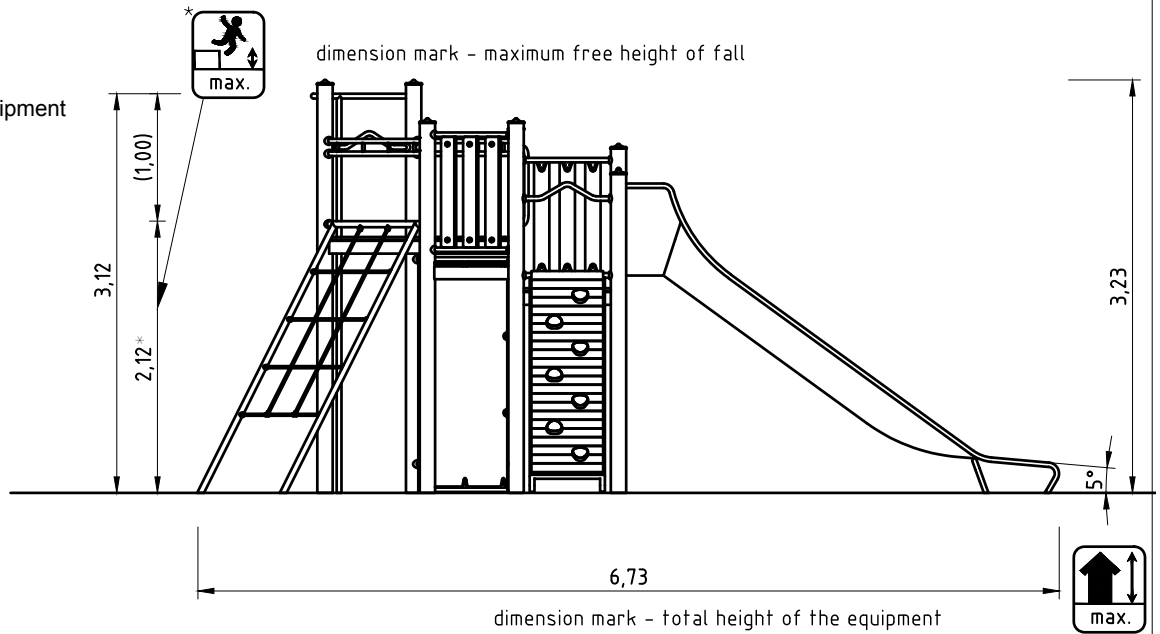


Spatial view



**Front view**

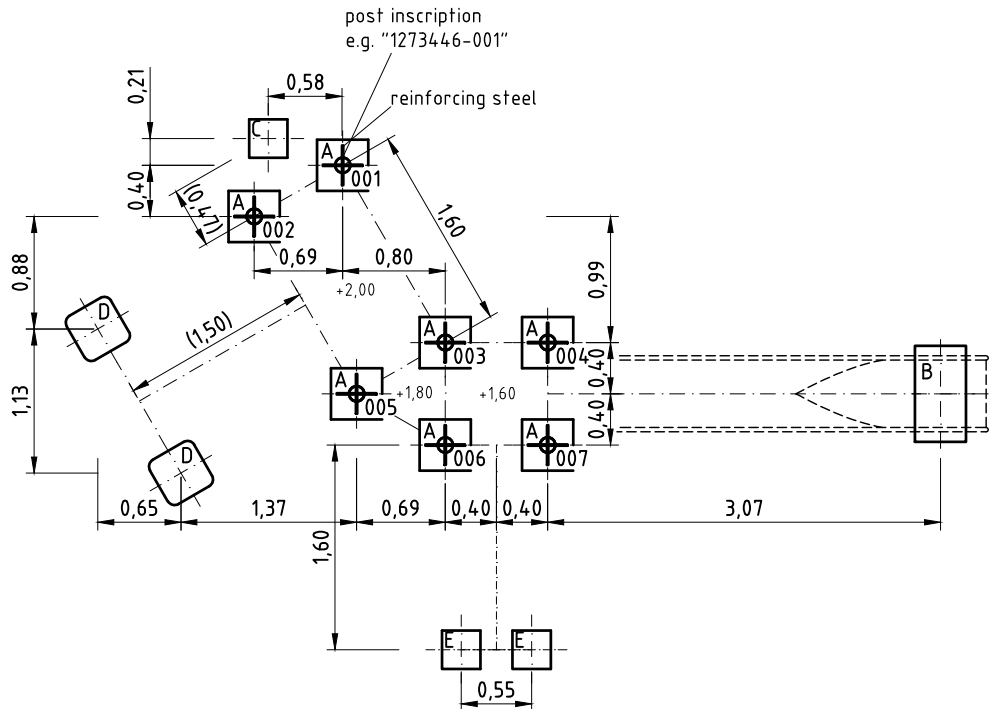
Space occupied by equipment  
6,73 x 4,09 x 3,23 m



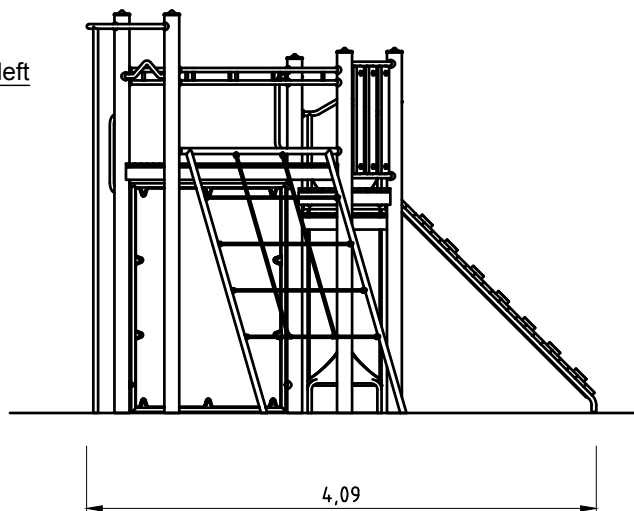
**Foundation layout**

Foundations (on site)  
7 x 0,40 x 0,40 x 0,40 m  
3 x 0,30 x 0,30 x 0,40 m  
1 x 0,40 x 0,75 x 0,40 m

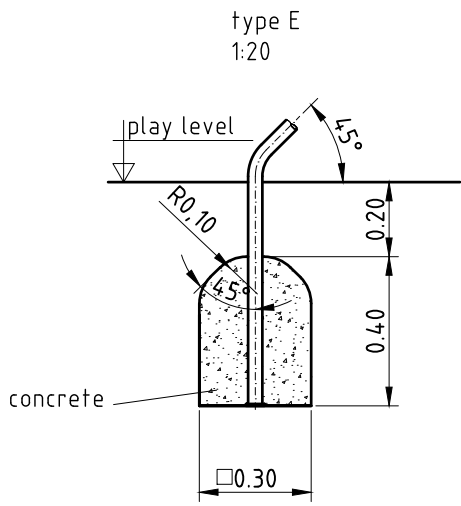
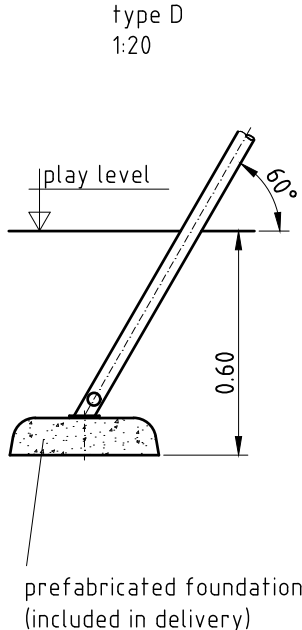
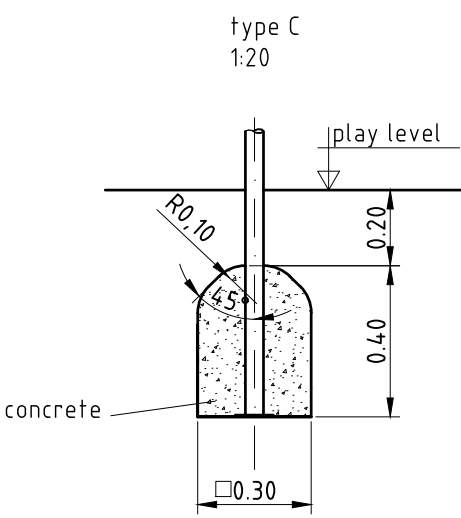
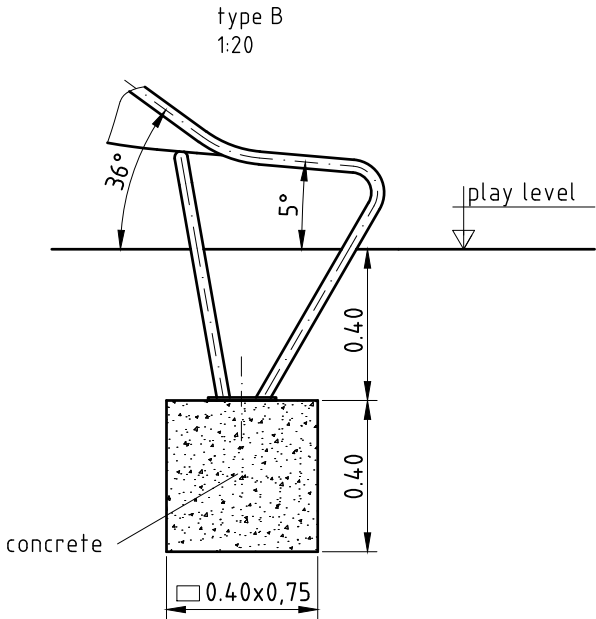
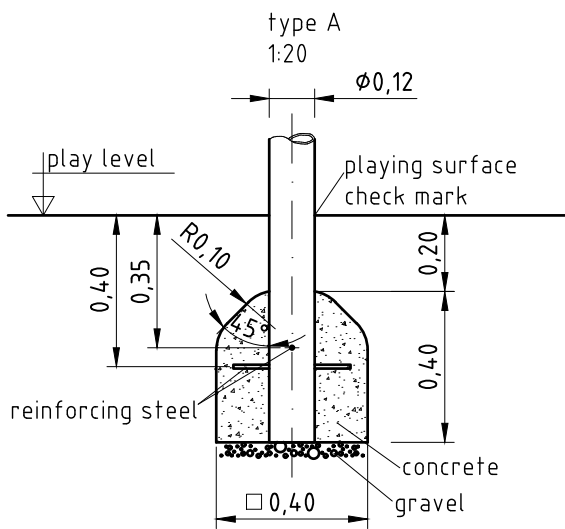
(approximate) concrete needs  
0,7 m<sup>3</sup>



**Side view from the left**

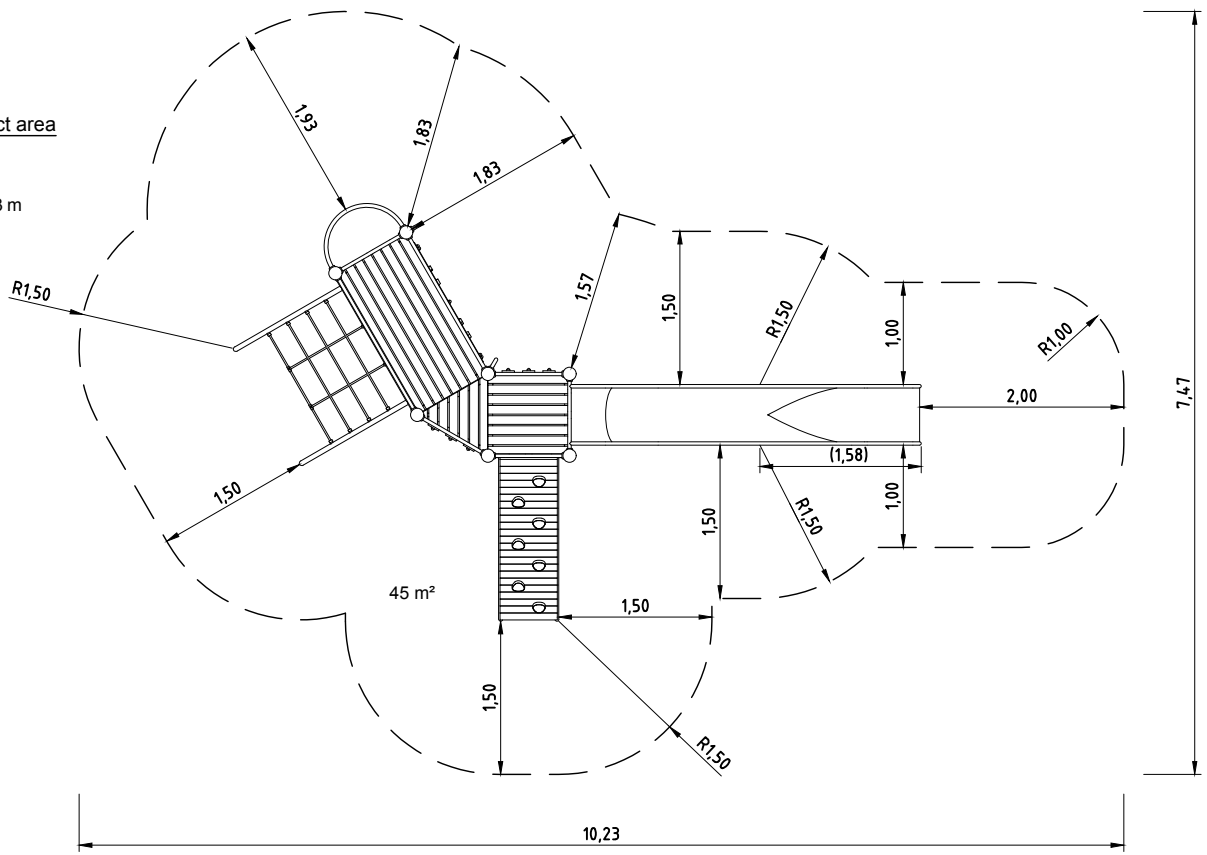


**Foundation details**



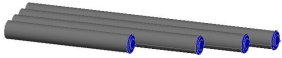





Top view & impact area


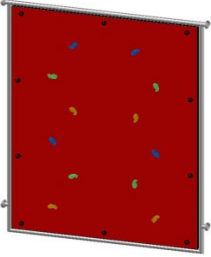


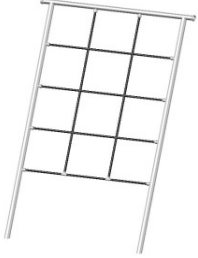

Minimum space  
10,23 x 7,47 x 3,23 m

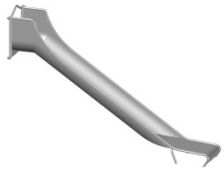
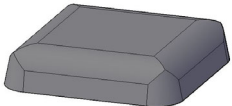
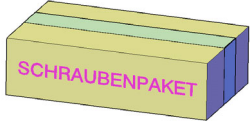


**Please note:**

Due to the format size, this installation is not to scale (apart from single details).  
Please refer to the dimensions indicated.  
An installation documentation scale 1:50 can be submitted on request.

<u>Parts list</u>		022510502	GB
item no.	quantity	description	image
1273446	1	set of 7 pcs. of stainless steel posts, short length=600 mm with protective stainless steel cap/ blue powder coating/RAL 5015	
1200015	1	rectangular platform 1,60 m x 0,80 m	
1200000	1	square platform 0,80 m x 0,80 m	
1200004	1	triangular platform 3 x 0,80 m	
1210358	2	bowed guardrail 0,80 m	
1210023	2	tandem guardrail 1,60 m	

<u>Parts list</u>		022510502	GB
item no.	quantity	description	image
1210199	2	timber infill barrier 0,80 m x 0,90 m	 A wooden infill barrier consisting of three vertical wooden slats held between two horizontal metal bars.
1230196	1	climbing wall (1,60) red HPL panel	 A red high-pressure laminate (HPL) panel with several small, colorful climbing holds attached to its surface.
1230093	1	climp up ramp 0,80 m platform height 1,60 m	 A wooden ramp with a series of circular holes along its length, used for climbing.
1230107	1	climbing pole 3,10 m horizontal arch	 A vertical metal pole with a horizontal arch at the top, used for climbing.
1230121	1	sloped scramble up net 1,60m platform height 2,00m	 A metal frame for a net, consisting of a vertical post and several horizontal rungs, forming a grid structure.
1210047	2	vertical stainless steel handle 0,60 m	 A vertical stainless steel handle with a curved grip at the top and a hook-like end at the bottom.

<u>Parts list</u>		022510502	GB
item no.	quantity	description	image
041417001	1	K&K Trough-shaped attachment slide (1,60)	
015150	2	prefabricated concrete foundation (for sloped scramble up net)	
1293817	1	fastening kit for 022510502	



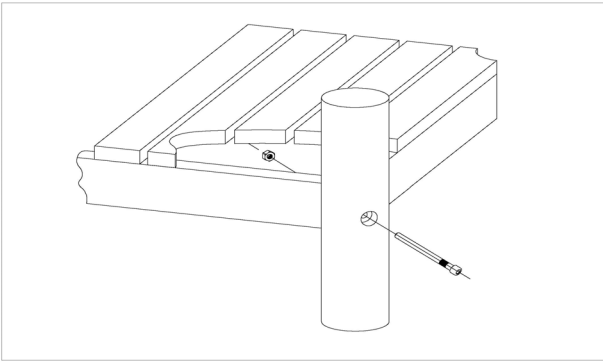
Item: **022510502**  
K&K Climbing combination

Order:

1293817

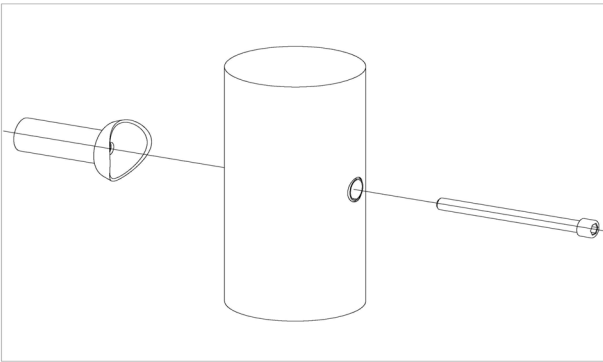
Location: Building Project:

**11 x SFES1200001 Platform fastening to stainless steel post, nut on the side of the platform**



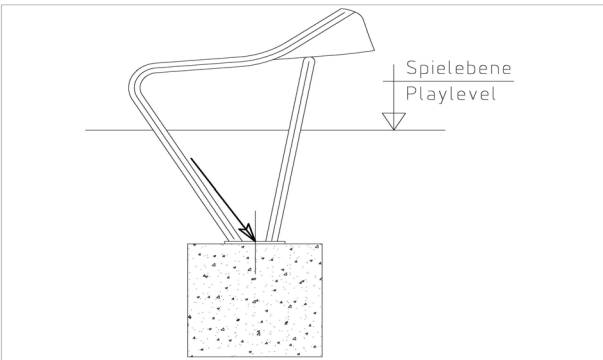
per SC	Total	K&K-Item	Marking
1 x	11 x	3430021	Lock nut M12 DIN985 A2
1 x	11 x	2030651	Cheese head screw with pin M12 x 125

**38 x SFES1210001 Standard bolting of attachment parts (except platforms) to stainless steel posts**



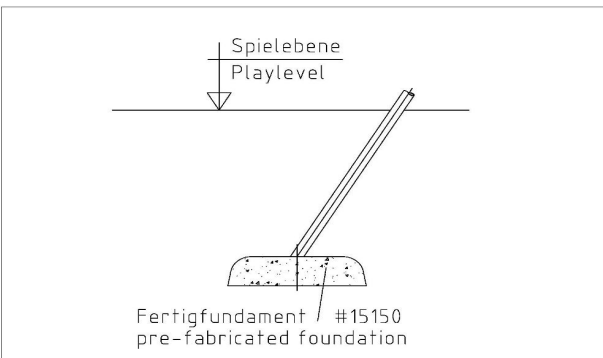
per SC	Total	K&K-Item	Marking
1 x	38 x	2030168	Cheese head screw with pin M12x140

**1 x SFAS1070006 Slide run-out section (up to 2,00 m) on foundation stone bolt assembly**



per SC	Total	K&K-Item	Marking
2 x	2 x	1070365	Set of stone bolts for slide run-out section M12x160

**1 x SFAS1230009 Scramble up net / climbing net fastening to prefabricated foundation**



per SC	Total	K&K-Item	Marking
4 x	4 x	3430025	Washer Ø 13 DIN125 A2
4 x	4 x	3400018	Hexagon screw M12 x 25 DIN933 A2

Item: **022510502**  
K&K Climbing combination

Order:

1293817

Location:

Building Project:

**7 x SFES1270001 Reinforcing steel for stainless steel posts**



per SC	Total	K&K-Item	Marking
2 x	14 x	2130000	Reinforcing steel Ø 10 x 310 DIN 488

**1 x SFWZ0000009 Hexagon insert socket driver 10mm 1/2" with borehole for Pin**



per SC	Total	K&K-Item	Marking
1 x	1 x	2030170	Hexagon insert socket driver 10 mm 1/2" with drill hole for Pin

**1 x SFWZ0000012 Lubricating metal (30g box) incl. brush**



per SC	Total	K&K-Item	Marking
1 x	1 x	5300039	Lubricating metal box 30g
1 x	1 x	5200026	Brush for lubricating metal