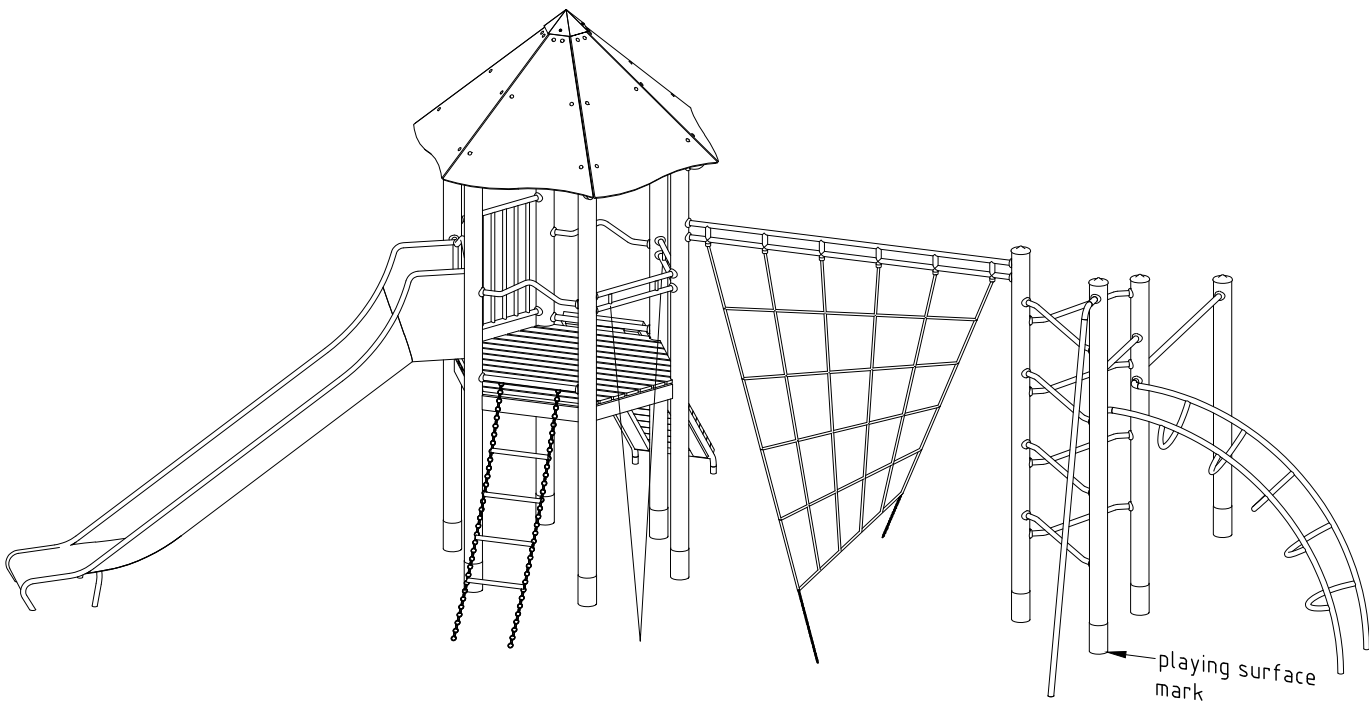
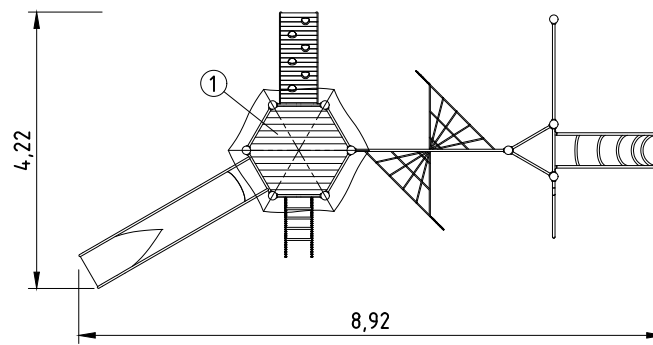


Spatial view



platform orientation/numbers  
1:100

1. Assign a device location considering the space requirements (impact area). Slide direction recommended: north-east or in half-shade of trees.
2. Excavate soil for foundations, according to drawing.  
Please note: To achieve maximum stability and a safe installation, a moderate level of soil solubility is required.
3. Pour in a drain layer of gravel of approx. 10 cm thickness between the bottom of the posts and plain base of foundation.
4. Insert reinforcing steel into the corresponding holes of the posts.
5. Place posts type A according to the corresponding number (see foundation layout) into the respective foundation hole. Play level mark (=aluminium blind rivet) complies with the installation depth. Align every post by means of the play level mark facing into the same direction (see detail or foundation layout).

**6. For installation of the pre-assembled components and/or single parts, the screws slightly have to be lubricated with installation paste!**

Screw together platform and posts by using the middle hole in the mounting brackets.

**Tighten all screws after having aligned all components.**

Install the slide exit with an inclination of 5° in sliding direction so that rain water can drain off.

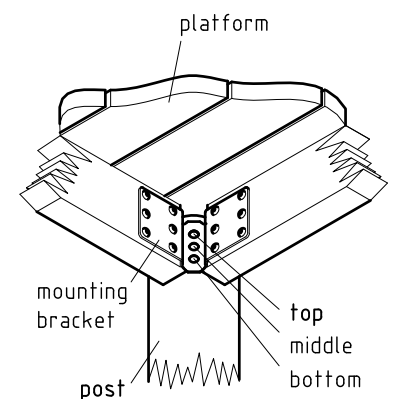
Screw connections see details in attached list.

We recommend not to insert the protection caps enclosed before first maintenance as they are only suitable for one-time use (see description below).

7. Grout foundations with compressed concrete C20/25, chamfer and round off the edges, cover the foundations with a surface which meets the requirements for impact attenuation so that its critical fall height is equal to or greater than the maximum free height of fall of the equipment (acc. to EN 1176-1). The run-out section fall zone must have surfacing with a critical fall height of at least 1000 mm (acc. to EN 1176-3).
8. Release for play after concrete foundations have set.
9. According to maintenance instructions, check all screw connections after 4-5 weeks and retighten, if necessary. Afterwards cover the screw heads with protection caps as follows: Insert grey protection caps into the countersunk drills (e.g. for platforms). The non-countersunk drills (e.g. for railings or a slide) have to be covered with the red protection caps by placing them onto the base part. Strongly pound them (e.g. by using a plastic mallet) until they audibly snap into the base part groove.

Please ensure that all special tools supplied (e.g. Allen key for secured Allen screws etc.) and all specific documents which are or may be useful for safety management acc. to EN 1176-7 (e.g. invoice, delivery note, order acknowledgement, installation instructions, maintenance instructions) are forwarded to the persons responsible.

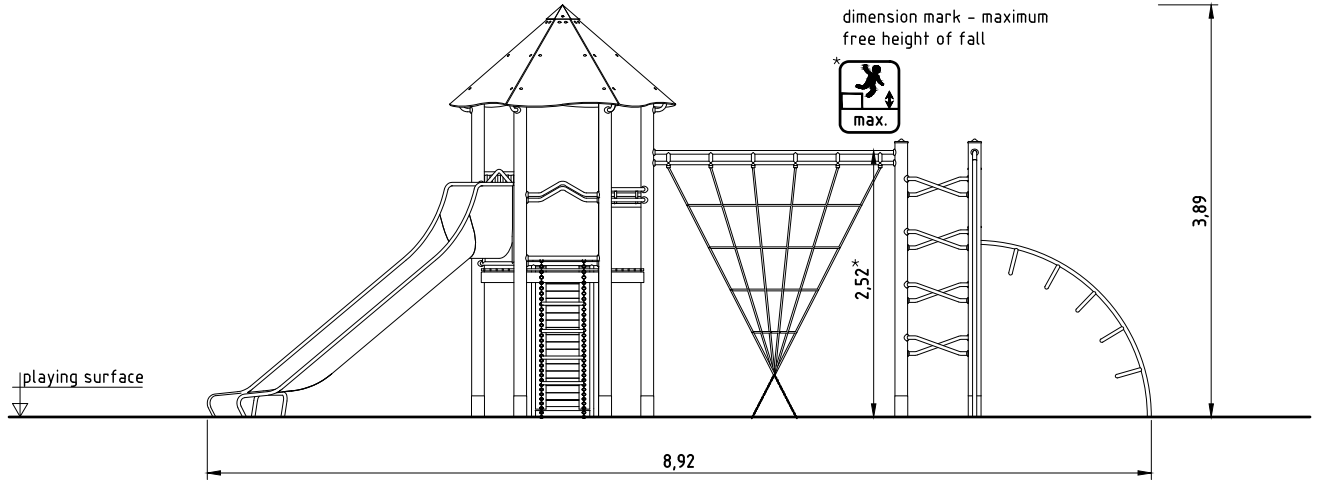
**Necessarily insert all attachment parts before tightening the screws. It is NOT possible to insert them afterwards.**

platform fastening  
1:10

Front view

Space occupied by equipment  
8,92 x 4,22 x 3,89 m

dimension mark - total height of the equipment



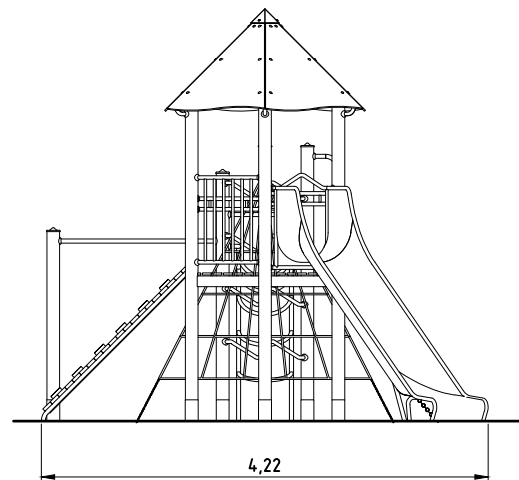
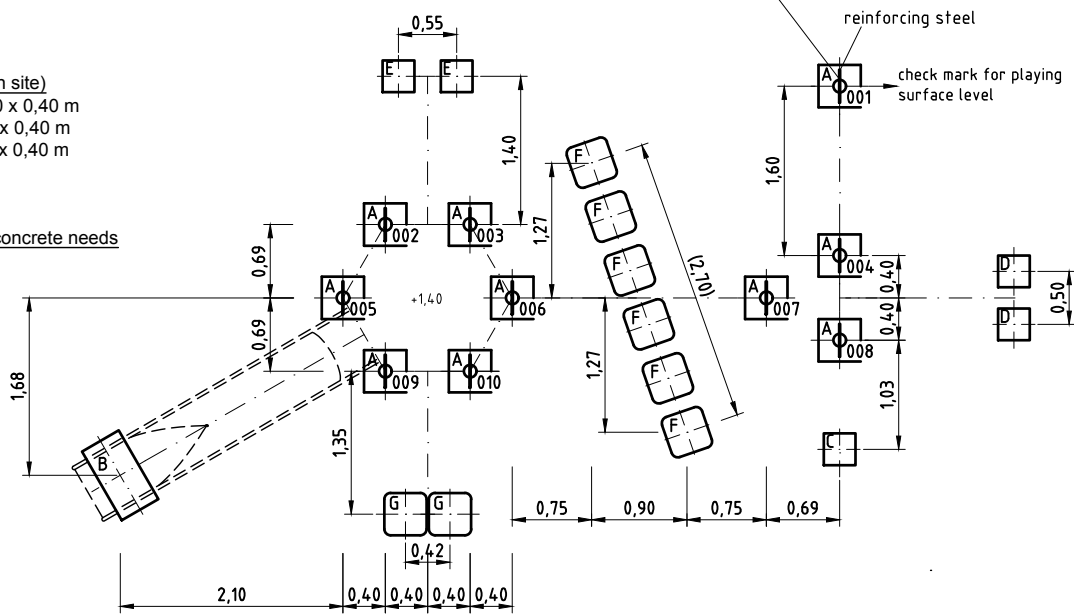
Foundation layout

post inscription e.g. "001 0-21775-703"

Foundations (on site)

- 10 x 0,40 x 0,40 x 0,40 m
- 5 x 0,30 x 0,30 x 0,40 m
- 1 x 0,40 x 0,75 x 0,40 m

(approximate) concrete needs  
0,94 m<sup>3</sup>

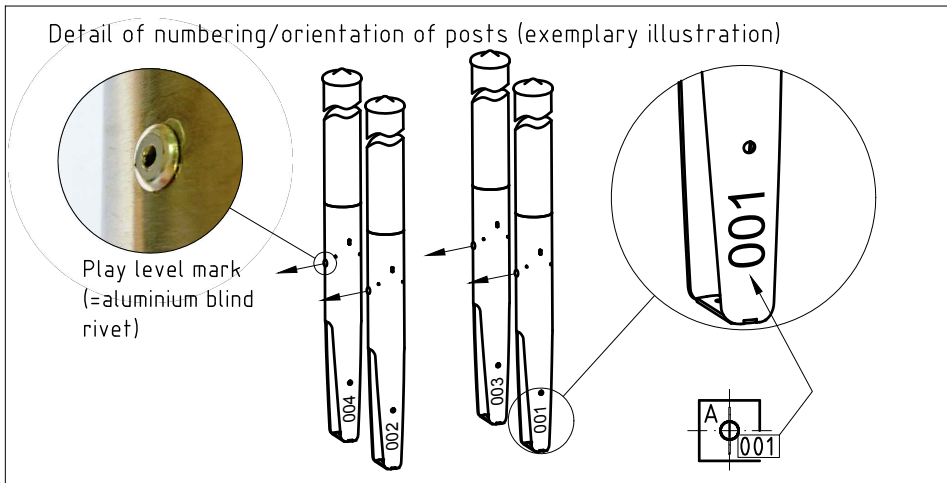
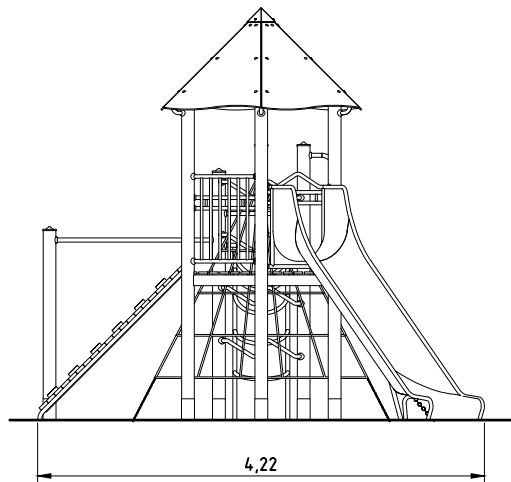
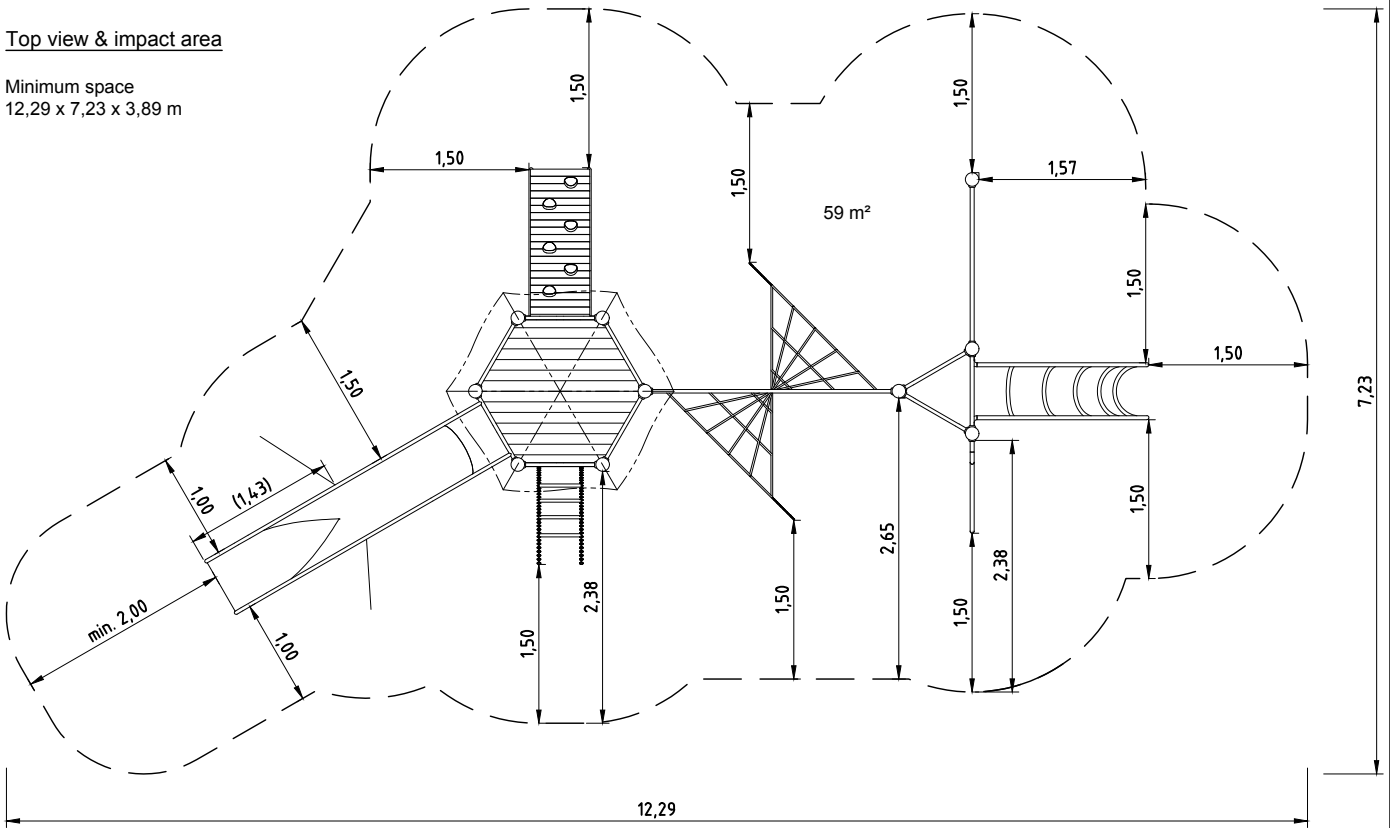


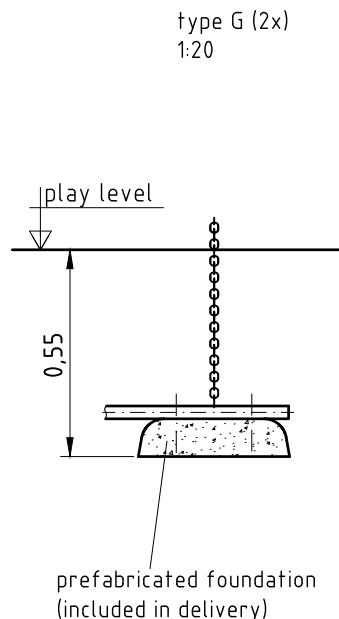
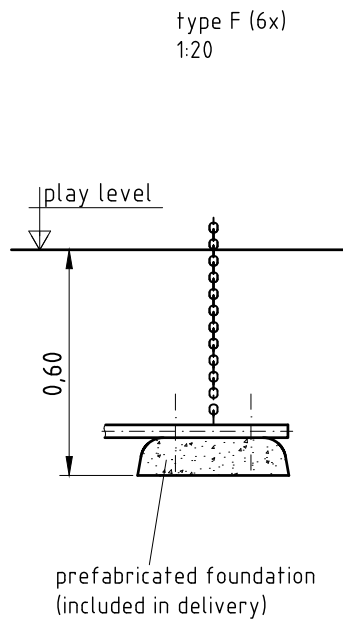
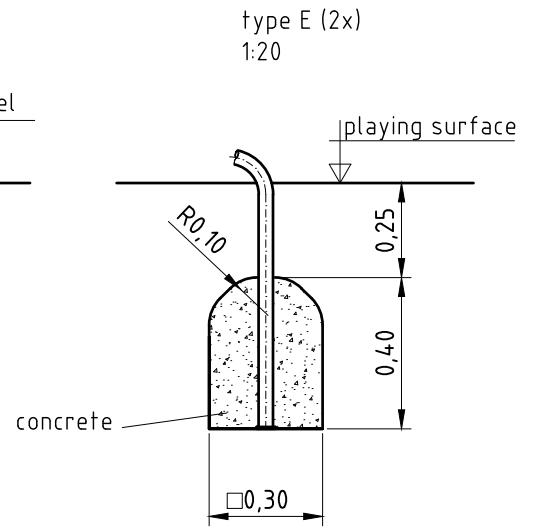
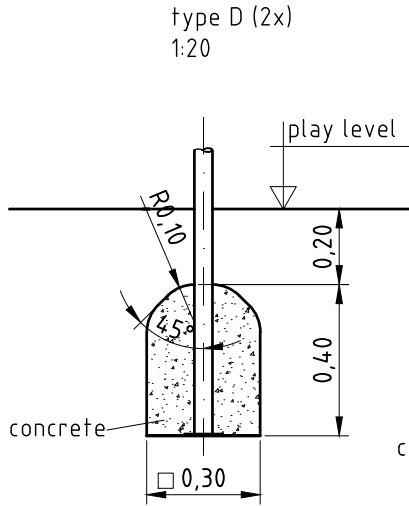
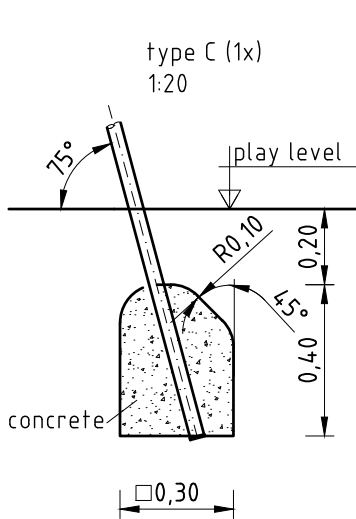
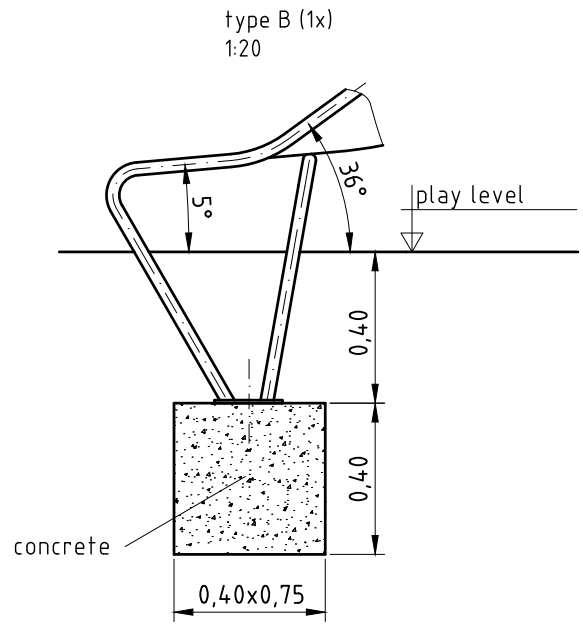
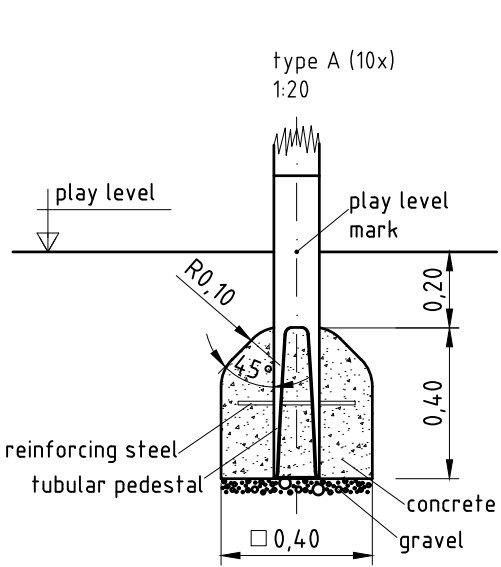
Please note:

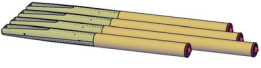
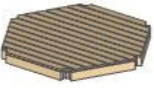




Due to the format size, this installation is not to scale (apart from single details).  
Please refer to the dimensions indicated.  
An installation documentation scale 1:50 can be submitted on request.

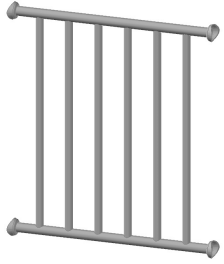
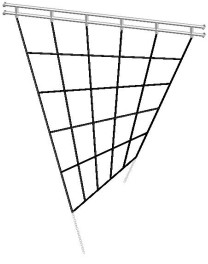




**Top view & impact area**


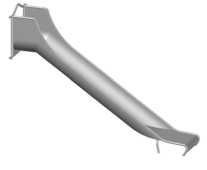

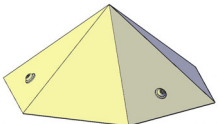
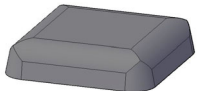
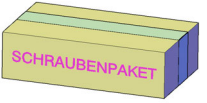
Minimum space  
12,29 x 7,23 x 3,89 m





<u>Parts list</u>		021775703	GB
item no.	quantity	description	image
	1	set of 10 pcs. of laminated Robinia posts with stainless steel tubular pedestal with bottom cut-outs with protective stainless steel post cap with powder-coating / red RAL 2002	
1200006	1	hexagonal platform 6 x 0,80	
1210022	2	tandem guardrail 0,80 m	
1210358	2	bowed guardrail 0,80 m	
1210359	1	horizontal bar/ladder rung 0,80 m	
1210361	8	stepped handrail 0,80 m x 0,15 m	

<u>Parts list</u>		021775703	GB
item no.	quantity	description	image
1210042	1	stainless steel infill barrier 0,80 m x 0,80 m	 A rectangular stainless steel infill barrier consisting of two horizontal bars and seven vertical bars.
1230090	1	black spatial climbing net 2,40m, height 2,50m	 A black spatial climbing net with a grid pattern, attached to a horizontal bar at the top.
1210360	1	stainless steel horizontal bar 1,60 m	 A single stainless steel horizontal bar.
1230123	1	sloped chain ladder 0,80 installation height 1,40	 A sloped chain ladder with four rungs and a chain.
1230406	1	inclined corrugated climbing pole / 2,50 m / 15°	 A single inclined corrugated climbing pole.
1230100	1	climb up ramp 0,80 m platform height 1,40 m	 A yellow climb up ramp with four circular handholds and a platform at the top.

<u>Parts list</u>		021775703	GB
item no.	quantity	description	image
1230088	1	arch-shaped ladder 0,80 platform height 1,40 m	
041415001	1	K&K Trough-shaped attachment slide (1,40)	
1240036	1	tent roof 45° / 6 x 0,80 m / brown HPL plates	
6240055	1	hood for tent roof 6 x 45°	
015150	8	pre-fabricated foundation (6 for spatial climbing net, 2 for chain ladder)	
1298827	1	fastening kit for 021775701/702/703	



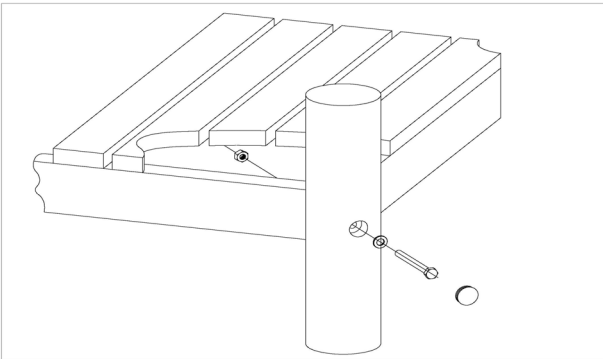
Item: **021775703**  
 K&K Play structure  
 Location:

Order:

1298827

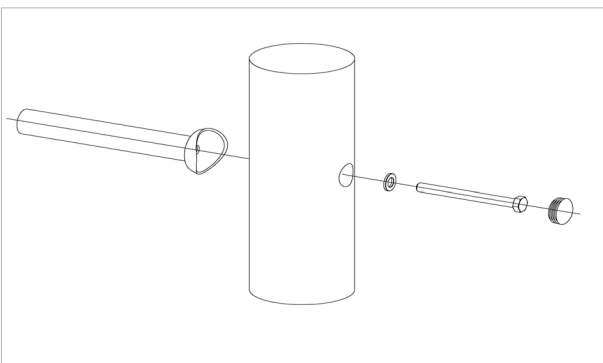
Building Project:

**6 x SFRS1200001 Platform at Robinia post, nut is platform-sided**



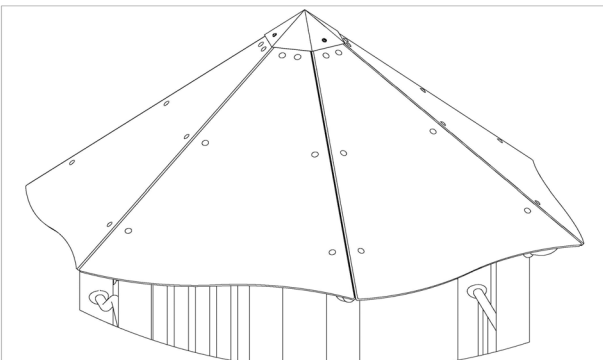
per SC	Total	K&K-Item	Marking
1 x	6 x	3400700	Hexagon head screw M12 x 120 DIN931 A2 with screw security coating/FGB red
1 x	6 x	3300016	Grey domed plastic cover cap SL 36 G
1 x	6 x	3430129	Washer Ø 14 DIN1440 A2
1 x	6 x	3430021	Lock nut M12 DIN985 A2

**57 x SFRS1230004 Standard bolting of climbing poles, ramps etc. to Robinia posts with countersunk holes**



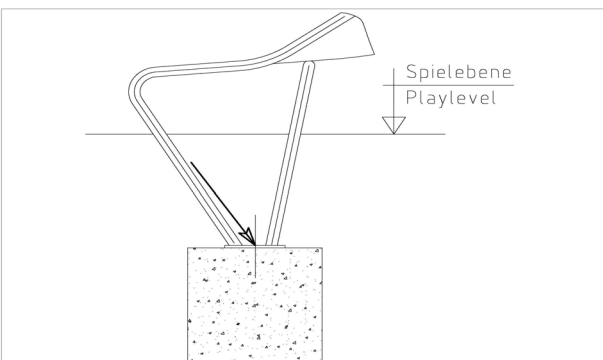
per SC	Total	K&K-Item	Marking
1 x	57 x	3300016	Grey domed plastic cover cap SL 36 G
1 x	57 x	3430129	Washer Ø 14 DIN1440 A2
1 x	57 x	3400701	Hexagon head cap screw M12 x 130 DIN931 A2 with screw retention coating/FGB red

**1 x SFAS1240013 Tent roof 6 x 0,80 m with roof hood  
 HPL plates on metal supports and roof hood fastening**



per SC	Total	K&K-Item	Marking
36 x	36 x	3430014	Washer Ø 10,5 DIN125 form B A2
3 x	3 x	3400673	Dome head screw M8x20 A2 Security Torx TR40
3 x	3 x	3430102	Washer Ø 8.4 DIN9021 A2
36 x	36 x	3430011	Hexagon cap nut M10 DIN986 A2
36 x	36 x	3400138	mushroom head screw square neck M10x30 DIN 60

**1 x SFAS1070006 Slide run-out section (up to 2,00 m) on foundation  
 stone bolt assembly**



per SC	Total	K&K-Item	Marking
2 x	2 x	1070365	Set of stone bolts for slide run-out section M12x160

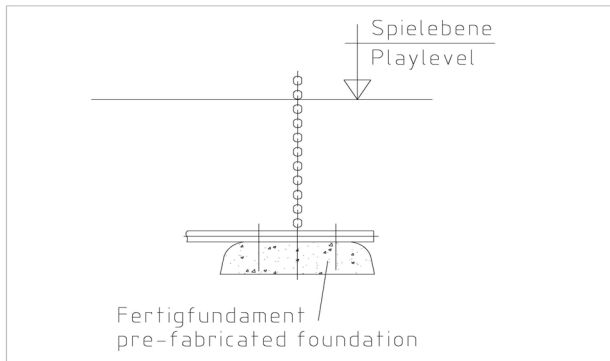
Item: **021775703**  
 K&K Play structure  
 Location:

Order:

1298827

Building Project:

**8 x SFAS1230007 Connection pipe between chain ladder/space net/  
 climbing net and prefabricated foundation (item N° 15150)**



per SC	Total	K&K-Item	Marking
2 x	16 x	3430025	Washer Ø 13 DIN125 A2
2 x	16 x	3400498	Hexagon head cap screw M12 x 55 DIN931 A2

**10 x SFES1270007 Reinforcing steel for tubular pedestals**



per SC	Total	K&K-Item	Marking
1 x	10 x	2130000	Reinforcing steel Ø 10 x 310 DIN 488

**1 x SFWZ0000001 Security TORX wrench TR40**



per SC	Total	K&K-Item	Marking
1 x	1 x	3490081	Security TORX wrench TR40

**2 x SFWZ0000012 Lubricating metal (30g box) incl. brush**



per SC	Total	K&K-Item	Marking
1 x	2 x	5300039	Lubricating metal box 30g
1 x	2 x	5200026	Brush for lubricating metal