

Installation instructions

1. Assign a device location considering the space requirements (impact area). Slide direction recommended: north-east or in half-shade of trees.
2. Excavate soil for foundations, according to drawing.
Please note: To achieve maximum stability and a safe installation, a moderate level of soil solubility is required.
3. Pour in a drain layer of gravel of approx. 10 cm thickness between the bottom of the posts and plain base of foundation.
4. Insert reinforcing steel into the corresponding holes of the posts.
5. Place posts type A according to the corresponding number (see foundation layout) into the respective foundation hole. Play level mark (=aluminium blind rivet) complies with the installation depth. Align every post by means of the play level mark facing into the same direction (see detail or foundation layout).
- 6. For installation of the pre-assembled components and/or single parts, the screws slightly have to be lubricated with installation paste!**

Screw together platforms and posts by using the respective hole in the mounting brackets (according to "**chart for platform fastenings**").

Tighten all screws after having aligned all components.

Install the slide exit with an inclination of 5° in sliding direction so that rain water can drain off.

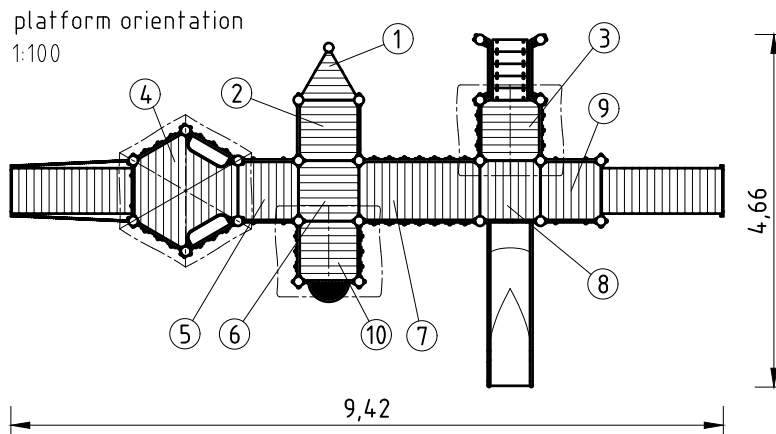
Screw connections see details in attached list.

We recommend not to insert the protection caps enclosed before first maintenance as they are only suitable for one-time use (see description below).

7. Grout foundations with compressed concrete C20/25, chamfer and round off the edges, cover the foundations with a surface which meets the requirements for impact attenuation so that its critical fall height is equal to or greater than the maximum free height of fall of the equipment (acc. to EN 1176-1). The run-out section fall zone must have surfacing with a critical fall height of at least 1000 mm (acc. to EN 1176-3).
8. Release for play after concrete foundations have set.
9. According to maintenance instructions, check all screw connections after 4-5 weeks and retighten, if necessary. Afterwards cover the screw heads with protection caps as follows: Insert grey protection caps into the countersunk drills (e.g. for platforms). The non-countersunk drills (e.g. for railings or a slide) have to be covered with the red protection caps by placing them onto the base part. Strongly pound them (e.g. by using a plastic mallet) until they audibly snap into the base part groove.

Please ensure that all special tools supplied (e.g. Allen key for secured Allen screws etc.) and all specific documents which are or may be useful for safety management acc. to EN 1176-7 (e.g. invoice, delivery note, order acknowledgement, installation instructions, maintenance instructions) are forwarded to the persons responsible.

Necessarily insert all attachment parts before tightening the screws. It is NOT possible to insert them afterwards.



platform fastening
1:10

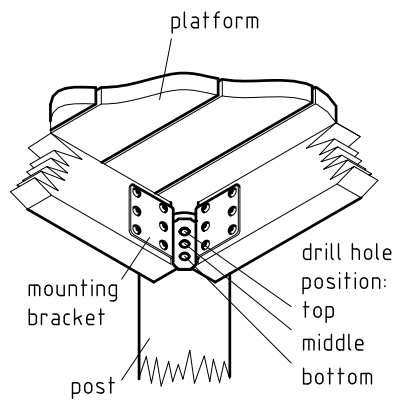
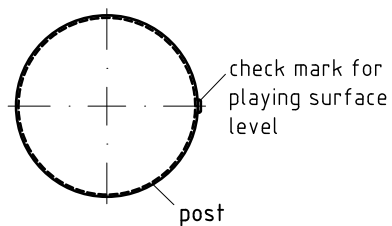


chart for platform fastenings

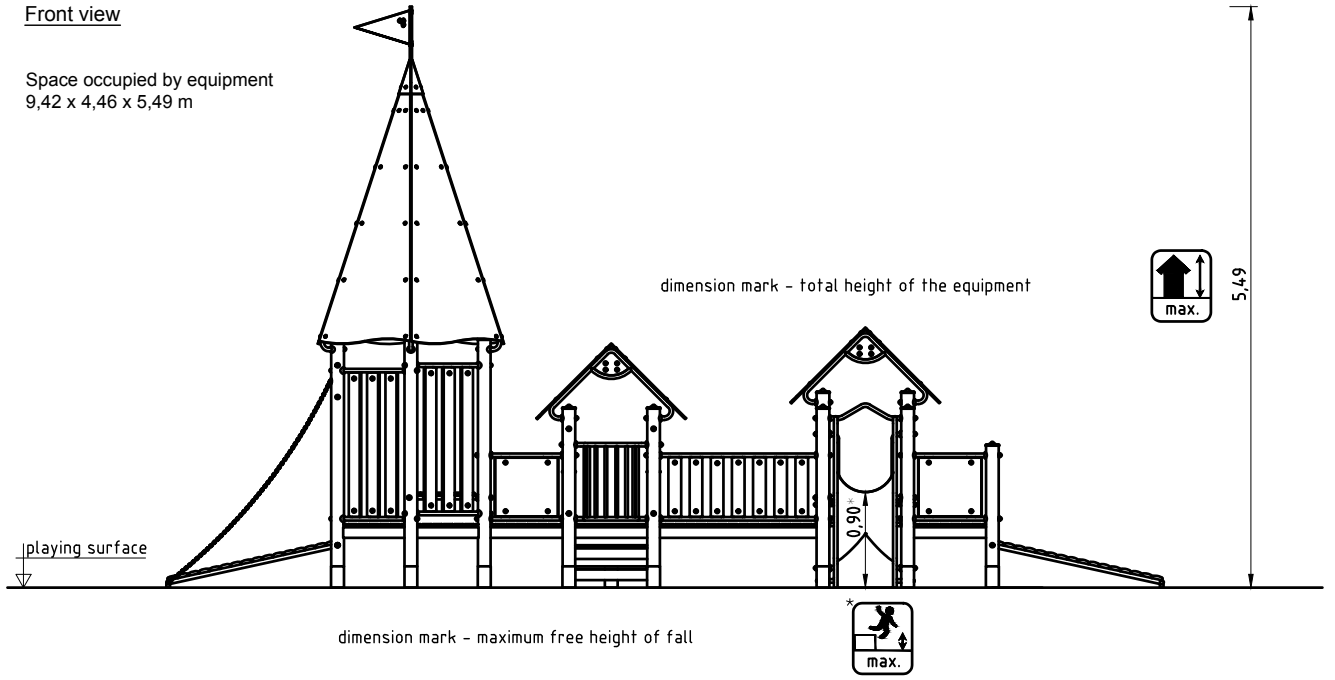
No.	height	drill hole position in mounting bracket		
		top	middle	bottom
①	0,20		x	
②	0,40		x	
③	0,80		x	
④	0,60	x		
⑤	0,60		x	
⑥	0,60	x		
⑦	0,60		x	
⑧	0,80	x		
⑨	0,60		x	
⑩	0,60		x	

detail of check mark
1:5

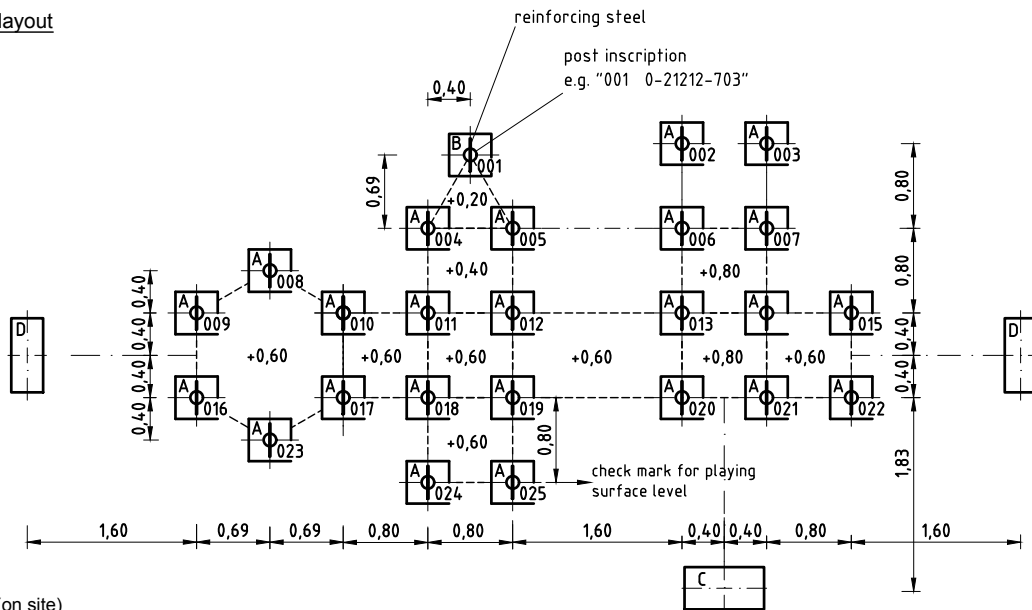


Front view

Space occupied by equipment
9,42 x 4,46 x 5,49 m



Foundation layout



Foundations (on site)
25x 0,40 x 0,40 x 0,40 m
1x 0,40 x 0,75 x 0,40 m
2x 0,30 x 0,70 x 0,40

(approximate) concrete needs
1,8 m³

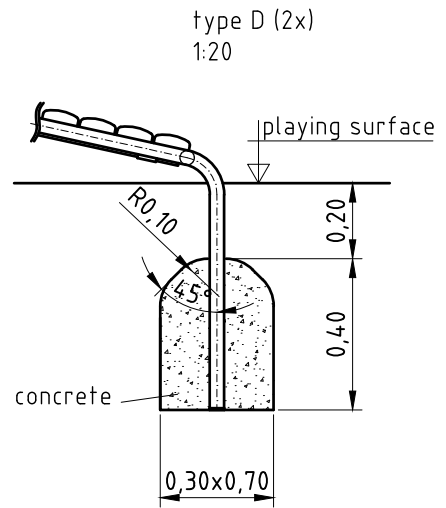
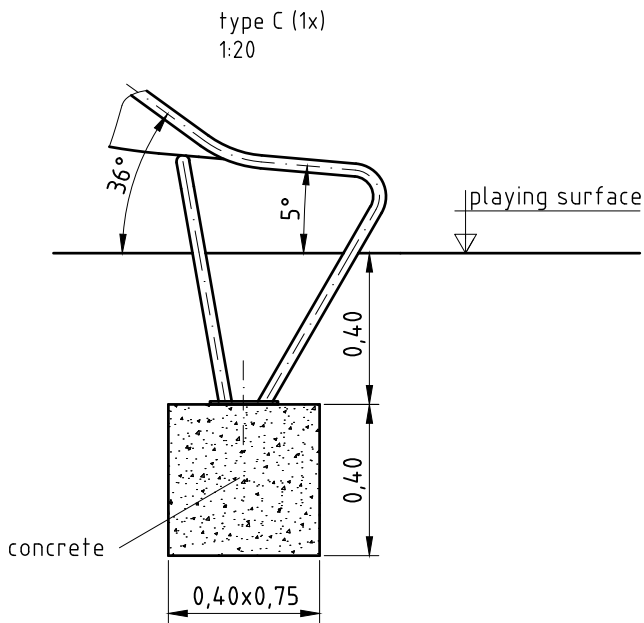
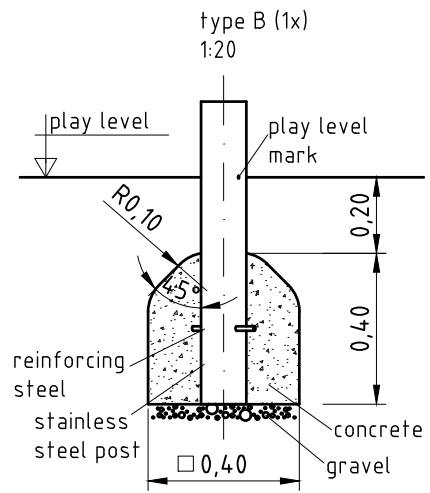
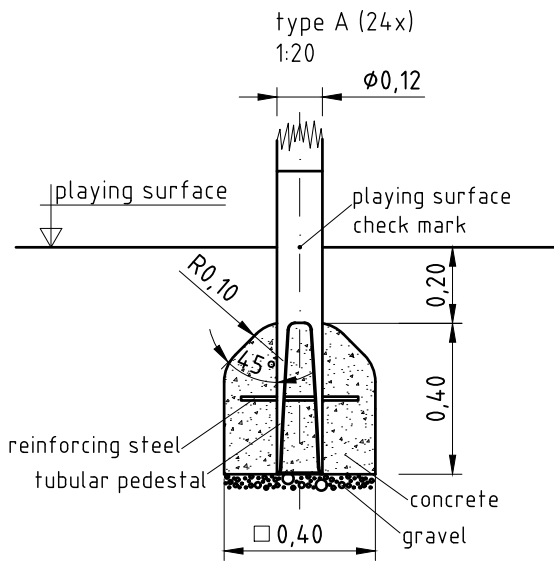
Please note:

Due to the format size, this installation is not to scale (apart from single details).

Please refer to the dimensions indicated.

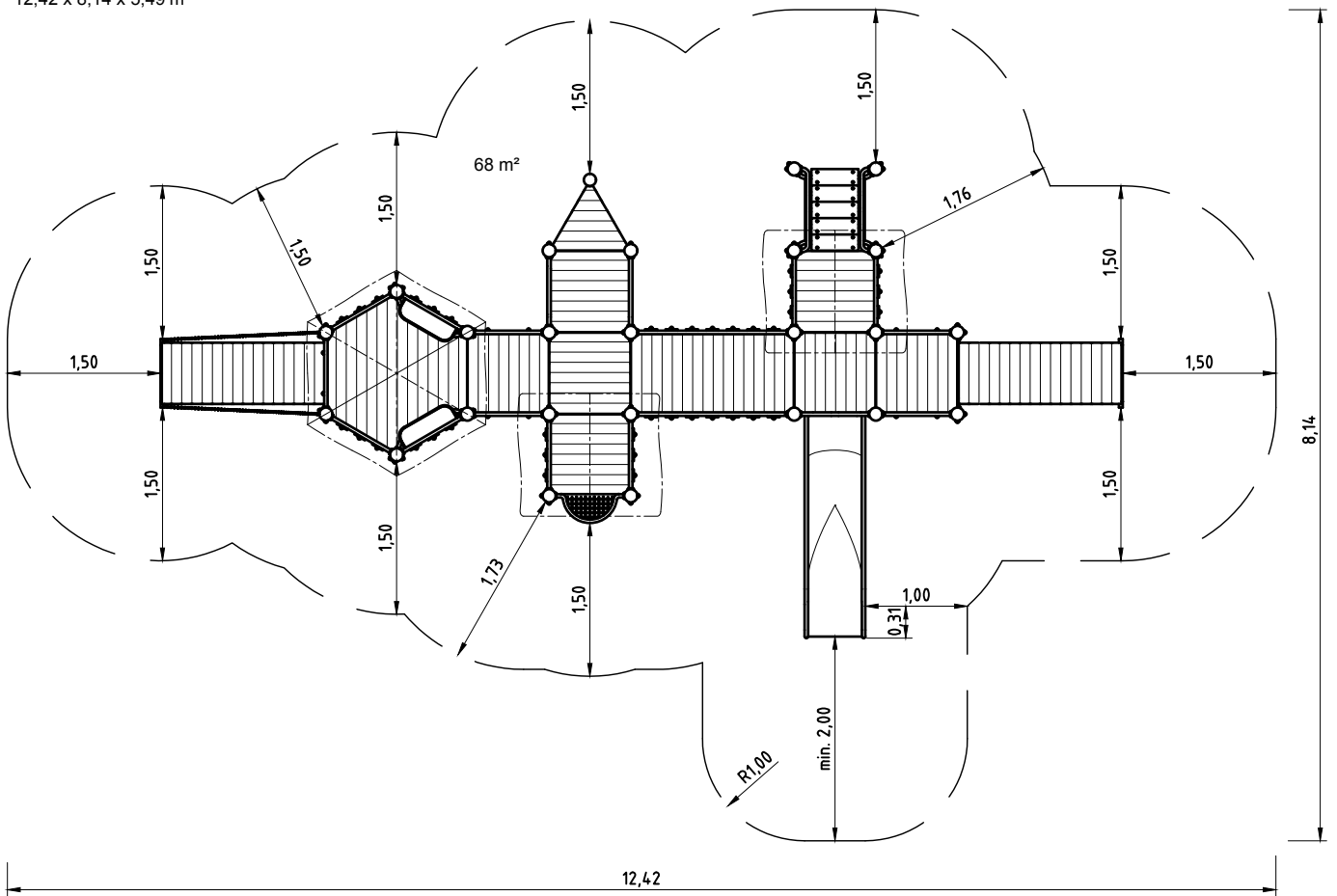
An installation documentation scale 1:50 can be submitted on request.

Foundation details



Top view & impact area

Minimum space
12,42 x 8,14 x 5,49 m

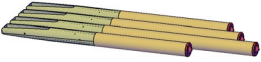




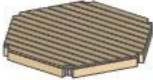




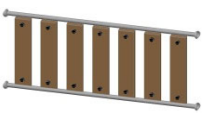

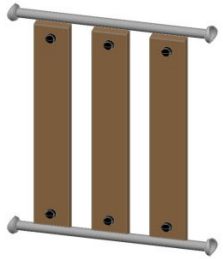
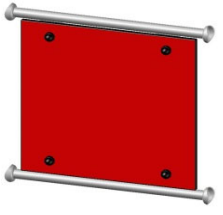
Please note:




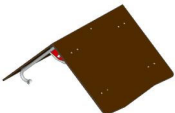
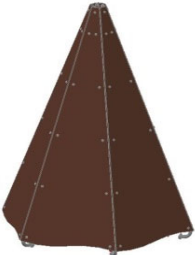
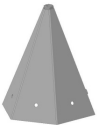
Due to the format size, this installation is not to scale (apart from single details).

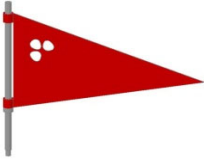



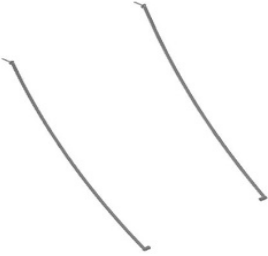
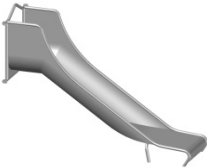
Please refer to the dimensions indicated.

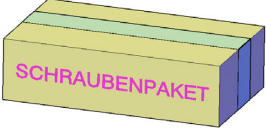
An installation documentation scale 1:50 can be submitted on request.

<u>Parts list</u>		021212703	GB
item no.	quantity	description	image
	1	set of 24 pcs. of laminated Robinia posts with tubular pedestal with bottom cut-outs, short length=600 mm with protective stainless steel cap/ red powder coating/RAL 2002	
1272086	1	all-purpose steel post 200 mm above play level	
1200004	1	triangular platform 3 x 0,80 m	
1200000	7	square platform 0,80 m x 0,80 m	
1200001	1	rectangular platform 0,80 m x 1,60 m	
1200006	1	hexagonal platform 6 x 0,80	

<u>Parts list</u>		021212703	GB
item no.	quantity	description	image
1210362	2	stepped handrail 0,80 m x 0,20 m	
1210014	4	timber infill barrier 0,80 m x 1,40 m	
1210034	2	timber infill barrier 1,60 m x 0,60 m	
1210083	2	timber infill barrier 0,80 m x 0,75 m	
1210011	2	timber infill barrier 0,80 m x 0,80 m	
1210000	4	infill panel 0,80 m x 0,60 m / red HPL	

<u>Parts list</u>		021212703	GB
item no.	quantity	description	image
1210041	1	red infill panel 0,80 x 0,30 m with bent tube	
015150	2	stairs 0,80 m platform height 0,80 m	
1230108	1	pair of stainless steel infill barriers for stairs	
1240033	2	gable roof 45° / 0,80 m x 0,80 m / brown HPL	
1240049	1	tower-shaped roof 72° / 6 x 0,80m / brown HPL	
6240031	1	hood for tower roof 72° with flag receptacle	

<u>Parts list</u>		021212703	GB
item no.	quantity	description	image
1240081	1	straight red flag/RAL 2002 incl. flag pole	
1220006	1	balcony parapet 0,80 x 0,70 m	
1220012	2	bench seat type 1 / 0,80 m / red HPL	
1230016	2	inclined ramp 0,80 m x 1,60 m x 0,40 m	
6230022	2	Pair of chains for a drawbridge	
041409001	1	K&K Trough-shaped attachment slide (0,80)	

<u>Parts list</u>		021212703	GB
item no.	quantity	description	image
1298809	1	fastening kit for 0-21212-702/703	

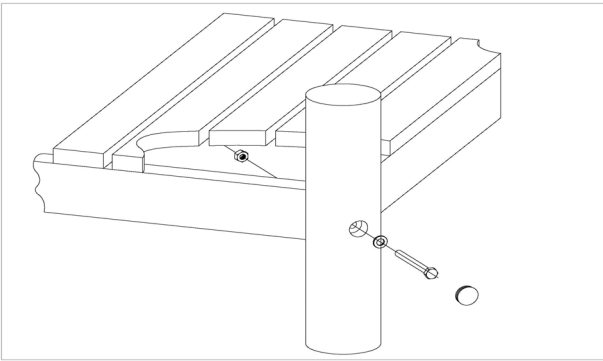
Item: **021212703**
 K&K Play structure
 Location:

Order:

1298809

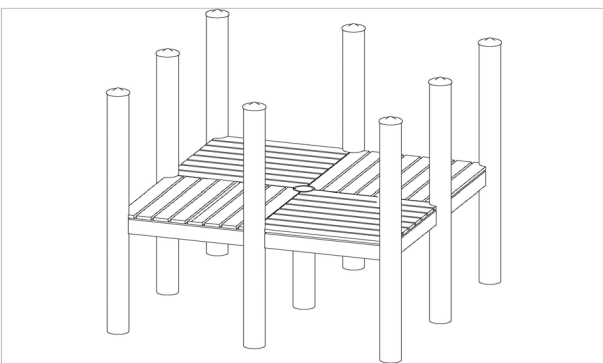
Building Project:

37 x SFRS1200001 Platform at Robinia post, nut is platform-sided



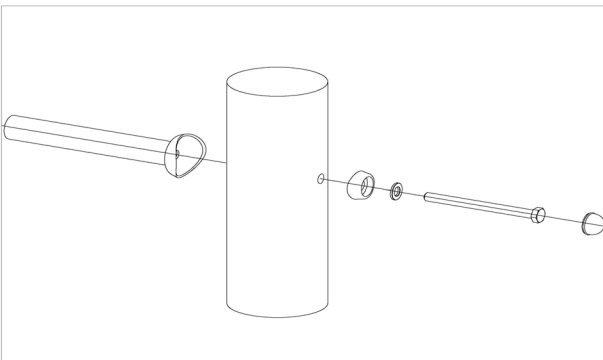
per SC	Total	K&K-Item	Marking
1 x	37 x	3400700	Hexagon head screw M12 x 120 DIN931 A2 with screw security coating/FGB red
1 x	37 x	3300016	Grey domed plastic cover cap SL 36 G
1 x	37 x	3430129	Washer Ø 14 DIN1440 A2
1 x	37 x	3430021	Lock nut M12 DIN985 A2

2 x SFRS1200002 2 platforms on equal height crosswise arranged at Robinia posts



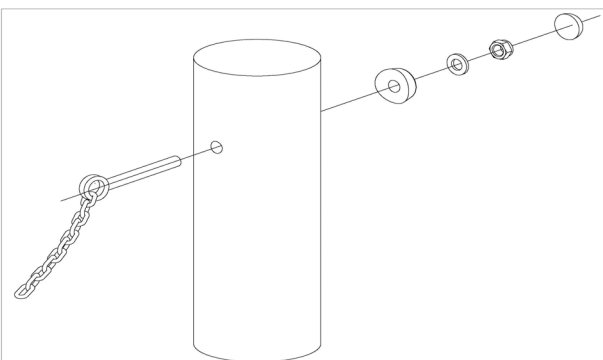
per SC	Total	K&K-Item	Marking
1 x	2 x	3430021	Lock nut M12 DIN985 A2
1 x	2 x	3430025	Washer Ø 13 DIN125 A2
1 x	2 x	3400363	Hexagon head cap screw M12 x 150 DIN931 A2

104 x SFRS1210001 Standard bolting of barriers, handrails, slides to Robinia posts



per SC	Total	K&K-Item	Marking
1 x	104 x	3300055	red protective screw cap - upper part, domed M12
1 x	104 x	3300054	red protective screw cap - lower part, domed M12
1 x	104 x	3430025	Washer Ø 13 DIN125 A2
1 x	104 x	3400702	Hexagon head cap screw M12 x 160 DIN931 A2 with screw security coating FGB red

2 x SFRS1230003 Chain of drawbridge at Robinia post (clearance hole)



per SC	Total	K&K-Item	Marking
1 x	2 x	3430021	Lock nut M12 DIN985 A2
1 x	2 x	3300055	red protective screw cap - upper part, domed M12
1 x	2 x	3430025	Washer Ø 13 DIN125 A2
1 x	2 x	3300054	red protective screw cap - lower part, domed M12

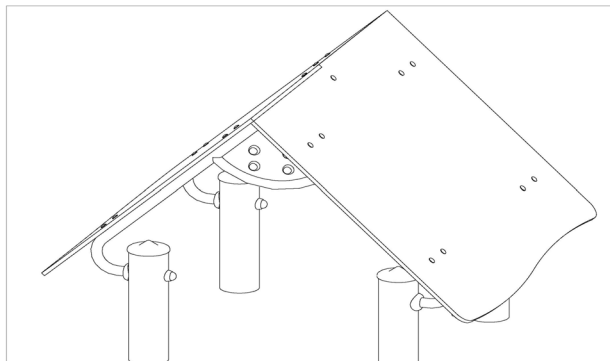
Item: **021212703**
K&K Play structure
Location:

Order:

1298809

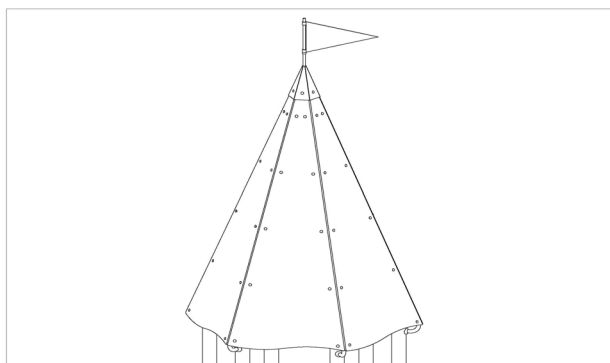
Building Project:

**2 x SFAS1240003 Gable roof 0,80 m x 0,80 m
HPL plates at retaining pipes and bracket mounted inside**



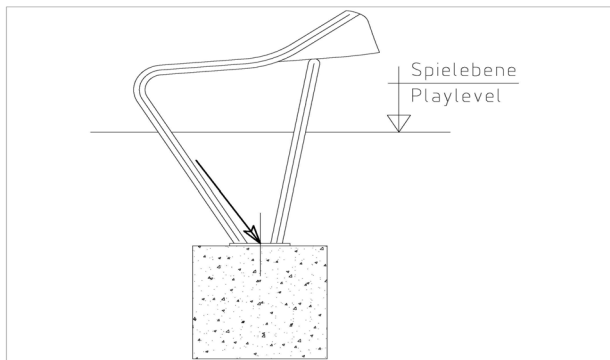
per SC	Total	K&K-Item	Marking
18 x	36 x	3430014	Washer Ø 10,5 DIN125 form B A2
1 x	2 x	6240001	Corner plate for gable roof 90°
18 x	36 x	3430011	Hexagon cap nut M10 DIN986 A2
18 x	36 x	3400138	mushroom head screw square neck M10x30 DIN 60

**1 x SFAS1240012 Fastening of HPL panels with rounded edges
to steel frame of tower-shaped roof 72°**



per SC	Total	K&K-Item	Marking
6 x	6 x	3400195	Dome head security screw-M10x30-Resistorx T45 A
6 x	6 x	3430086	Washer Ø 10,5 DIN9021 A2
60 x	60 x	3430011	Hexagon cap nut M10 DIN986 A2
60 x	60 x	3430014	Washer Ø 10,5 DIN125 form B A2
60 x	60 x	3400138	mushroom head screw square neck M10x30 DIN 60

**1 x SFAS1070006 Slide run-out section (up to 2,00 m) on foundation
stone bolt assembly**



per SC	Total	K&K-Item	Marking
2 x	2 x	1070365	Set of stone bolts for slide run-out section M12x160

1 x SFRS1270002 Reinforcing steel for stainless steel posts



per SC	Total	K&K-Item	Marking
1 x	1 x	2130000	Reinforcing steel Ø 10 x 310 DIN 488

Item: **021212703**
K&K Play structure

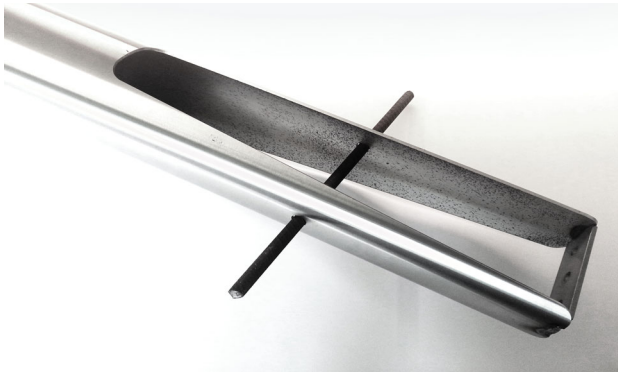
Order:

1298809

Location:

Building Project:

24 x SFES1270007 Reinforcing steel for tubular pedestals



per SC	Total	K&K-Item	Marking
1 x	24 x	2130000	Reinforcing steel Ø 10 x 310 DIN 488

4 x SFWZ0000012 Lubricating metal (30g box) incl. brush



per SC	Total	K&K-Item	Marking
1 x	4 x	5300039	Lubricating metal box 30g
1 x	4 x	5200026	Brush for lubricating metal