

1. Assign a device location considering the space requirements (impact area).
2. Excavate soil for foundations, according to drawing.
Please note: To achieve maximum stability and safe installation, a moderate level of soil solubility is required.
3. Pour in a drain layer of gravel of approx. 10 cm thickness between the bottom of the tubular pedestals and plain base of foundation.
4. Insert reinforcing steel into the corresponding holes of the tubular pedestals.
5. Place posts type A (see foundation layout) according to the corresponding number into the respective foundation hole. Play level mark (=aluminium blind rivet) complies with the installation depth. Align every post by means of the play level mark facing into the same direction (see detail or foundation layout).
- 6. For installation of the pre-assembled components and/or single parts, the screws slightly have to be lubricated with installation paste!**
Screw together platforms and posts by using the respective hole in the mounting bracket (according to chart).
- Tighten all screws after having aligned all components.**
Screw connections see details in list of screw connections attached.
We recommend not to insert the protection caps enclosed before first maintenance as they are only suitable for one-time use (see description in item No. 9).
7. Grout foundations with compressed concrete C20/25, chamfer and round off the edges, cover the foundations with a surface which meets the requirements for impact attenuation so that the critical fall height of the surfacing is equal to, or greater than, the free height of fall of the equipment (acc. to EN 1176-1).
8. Release for play after concrete foundations have set.
9. According to maintenance instructions, check all screw connections after 4-5 weeks and retighten, if necessary. Afterwards cover the screw heads with red protection caps by placing them onto the base part. Strongly pound them (e.g. by using a plastic mallet) until they audibly snap into the base part groove.

Please ensure that all special tools supplied (e.g. Allen key for secured Allen screws etc.) and all specific documents which are or may be useful for safety management acc. to EN 1176-7 (e.g. invoice, delivery note, order acknowledgement, installation instructions, maintenance instructions) are forwarded to the persons responsible.

**Necessarily insert all attachment parts before tightening the screws.
It is NOT possible to insert them afterwards.**

platform alignment/fastening
1:100

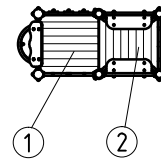
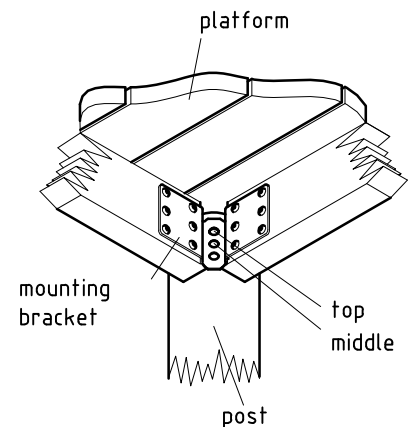
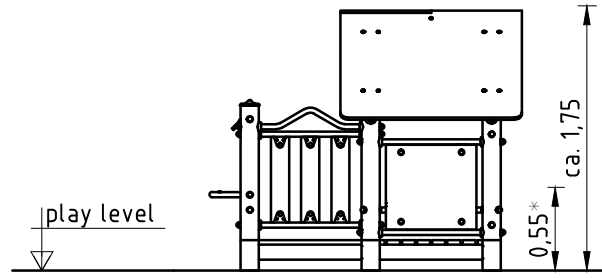


chart for platform fastening

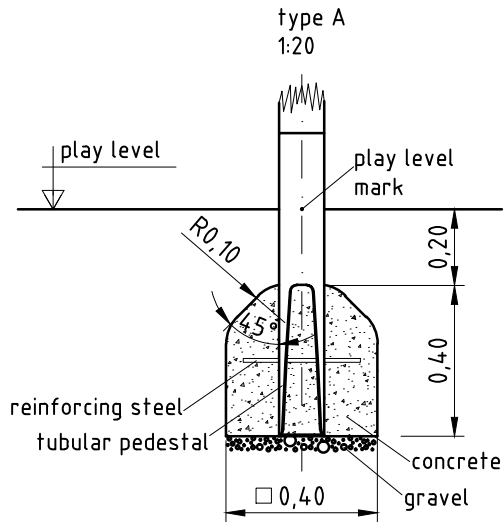
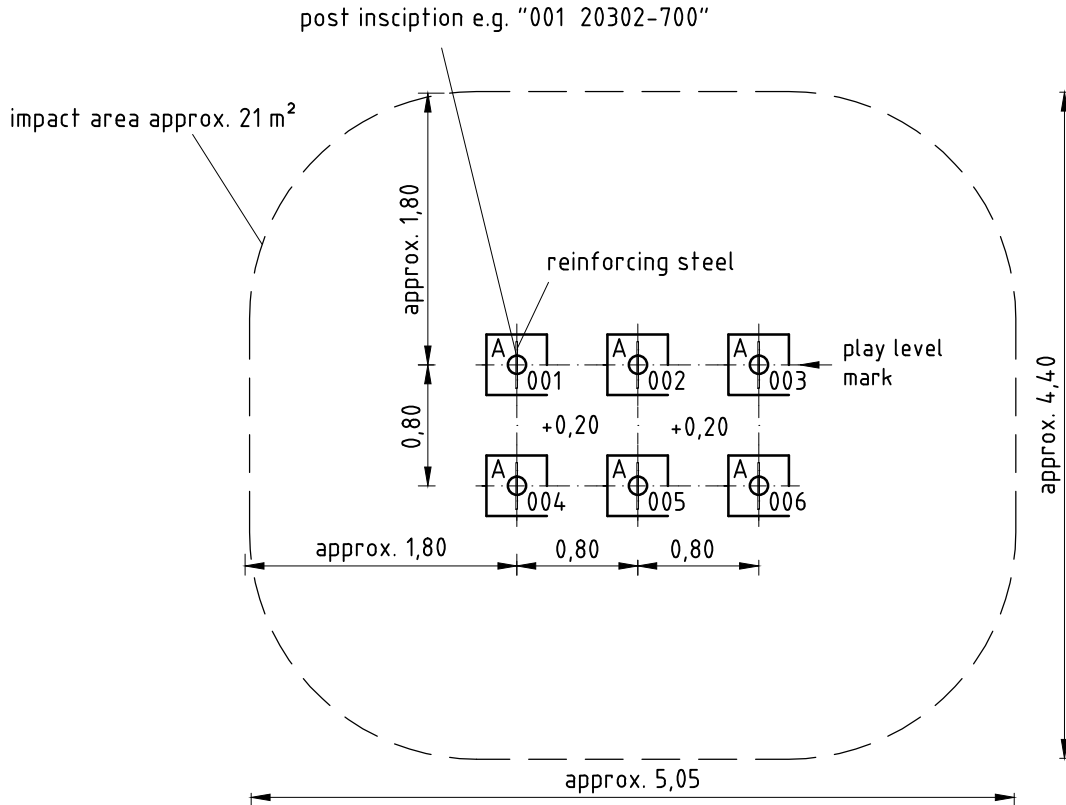
platform No.	fastening hole		
	top	middle	bottom
1	x		
2		x	

platform fastening
1:10





*max. free height of fall



Item: **0-20302-700**

Order:

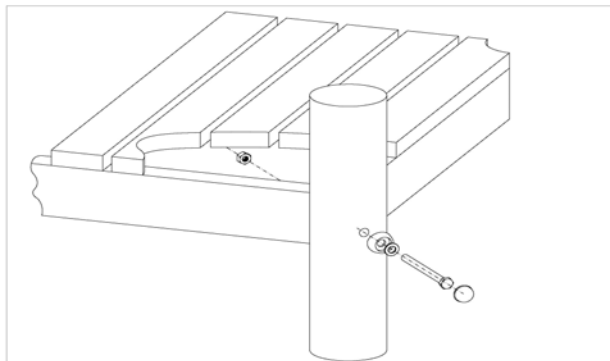
1298785

K&K Drugstore

Location:

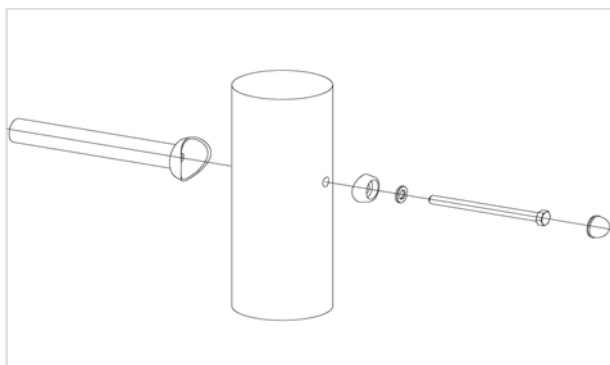
Building Project:

**8 x SFES1200014 Platform at stainless steel post/tube-pedestal
(Hexagon screw with red cap/nut platform-site)**



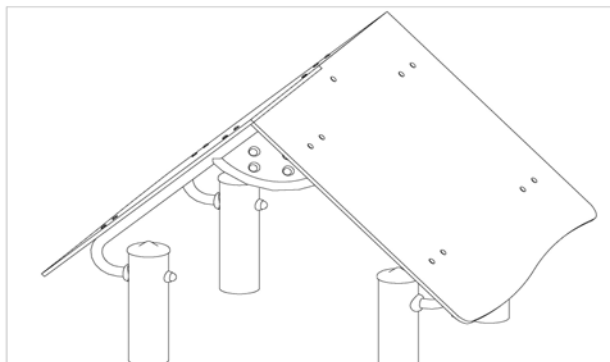
per SC	Total	K&K-Item	Marking
1 x	8 x	3430025	Washer Ø 13 DIN125 A2
1 x	8 x	3300055	Screw cap - upper part M12 P2 colour red/RAL 2002 PA6
1 x	8 x	3300054	Screw cap - lower part, domed M12 colour red/RAL 2002 PA6
1 x	8 x	3430021	Lock nut M12 DIN985 A2
1 x	8 x	3400363	Hexagon head cap screw M12 x 150 DIN931 A2

32 x SFRS1210001 Standard bolting for parapet, handrail, slide etc. at robinia posts



per SC	Total	K&K-Item	Marking
1 x	32 x	3300055	Screw cap - upper part M12 P2 colour red/RAL 2002 PA6
1 x	32 x	3300054	Screw cap - lower part, domed M12 colour red/RAL 2002 PA6
1 x	32 x	3430025	Washer Ø 13 DIN125 A2
1 x	32 x	3400702	Hexagon head cap screw M12 x 160 DIN931 A2 with screw security coating FGB red

**1 x SFAS1240003 Gable roof 0,80 m x 0,80 m
HPL plates at retaining pipes and bracket mounted inside**



per SC	Total	K&K-Item	Marking
18 x	18 x	3430011	Hexagon cap nut M10 DIN986 A2
18 x	18 x	3430014	Washer Ø 10,5 DIN 125 B A2
1 x	1 x	6240001	Corner plate for gable roof 90°
18 x	18 x	3400138	Mushroom head screw square neck M10x30 DIN 60

6 x SFES1270007 Reinforcing steel for tubular pedestals



per SC	Total	K&K-Item	Marking
1 x	6 x	2130000	Reinforcing steel Ø 10 x 310 DIN 488

Item: **0-20302-700**

Order:

1298785

K&K Drugstore

Location:

Building Project:

1 x SFWZ0000012 Lubricating metal (30g box) incl. brush



per SC	Total	K&K-Item	Marking
1 x	1 x	5300039	Lubricating metal box à 30g
1 x	1 x	5200026	Brush for lubricating metal