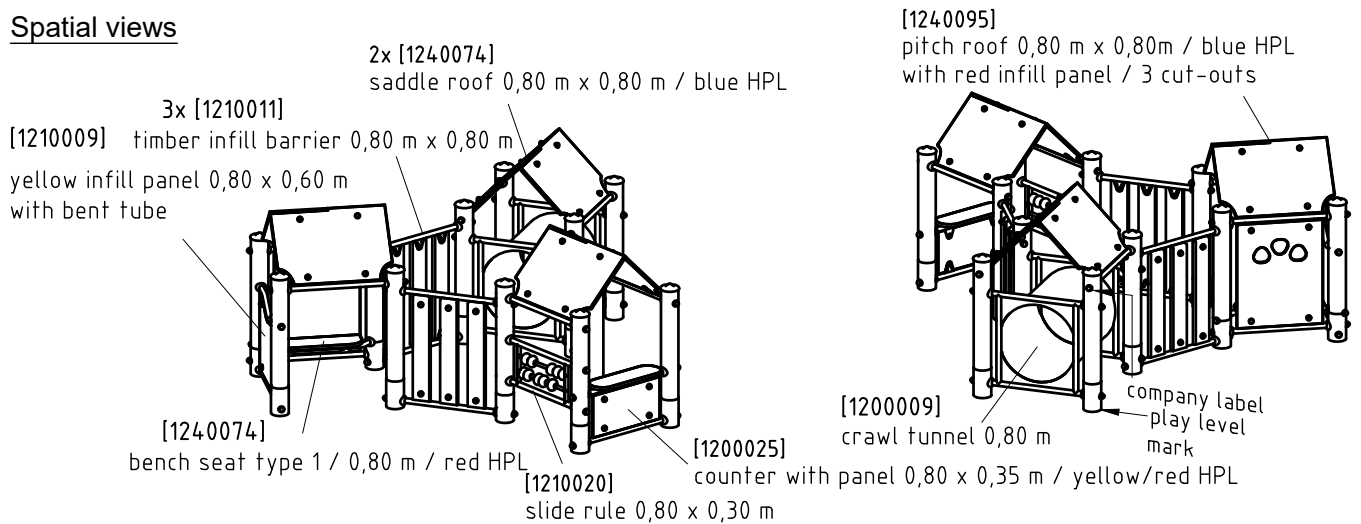


Spatial views



1. Assign a device location considering the space requirements (impact area).
2. Excavate soil for foundations, according to drawing.
Please note: To achieve maximum stability and a safe installation, a moderate level of soil solubility is required.
3. Pour in a drain layer of gravel of approx. 10 cm thickness between the bottom of the posts and plain base of foundation.
4. Insert reinforcing steel into the corresponding holes of the posts.
5. Place posts type A according to the corresponding number (see foundation layout) into the respective foundation hole. Play level mark (=aluminium blind rivet) complies with the installation depth. Align every post by means of the play level mark facing into the same direction (see detail or foundation layout).
6. **For installation of the pre-assembled components and/or single parts, the screws slightly have to be lubricated with installation paste! Tighten all screws after having aligned all components.**

Screw connections see details in attached list.

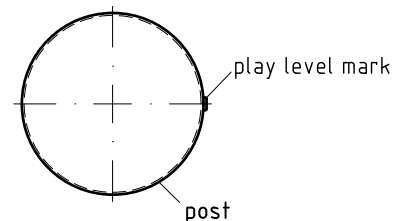
We recommend not to insert the protection caps enclosed before first maintenance as they are only suitable for one-time use (see description below).

7. Grout foundations with compressed concrete C20/25, chamfer and round off the edges, cover the foundations with a surface which meets the requirements for impact attenuation so that its critical fall height is equal to or greater than the maximum free height of fall of the equipment (acc. to EN 1176-1).
8. Release for play after concrete foundations have set.
9. According to maintenance instructions, check all screw connections after 4-5 weeks and retighten, if necessary. Afterwards cover the screw heads with protection caps as follows: Insert grey protection caps into the countersunk drills (e.g. for platforms). The non-countersunk drills (e.g. for railings or a slide) have to be covered with the red protection caps by placing them onto the base part. Strongly pound them (e.g. by using a plastic mallet) until they audibly snap into the base part groove.

Please ensure that all special tools supplied (e.g. Allen key for secured Allen screws etc.) and all specific documents which are or may be useful for safety management acc. to EN 1176-7 (e.g. invoice, delivery note, order acknowledgement, installation instructions, maintenance instructions) are forwarded to the persons responsible.

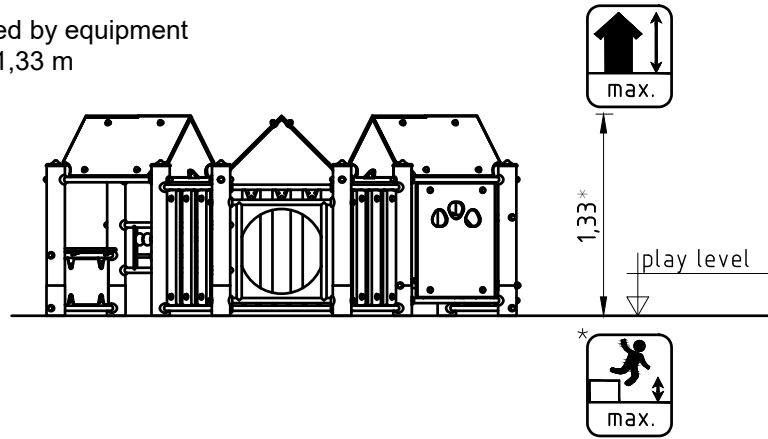
Necessarily insert all attachment parts before tightening the screws. It is NOT possible to insert them afterwards.

detail of play level mark
1:5

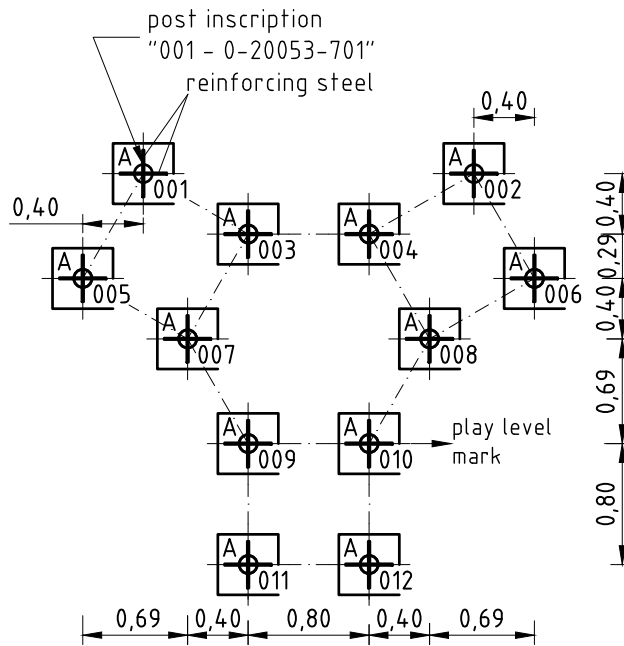


Front view

Space occupied by equipment
3,11 x 2,71 x 1,33 m



Foundation layout



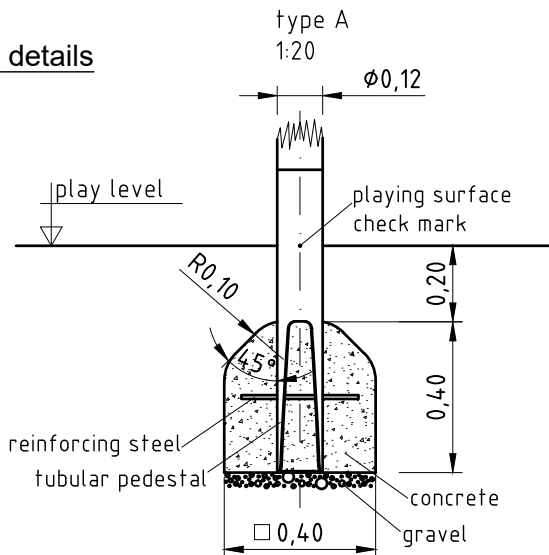
Foundations (on site)

12x 0,40 x 0,40 x 0,40 m

(approximate) concrete needs

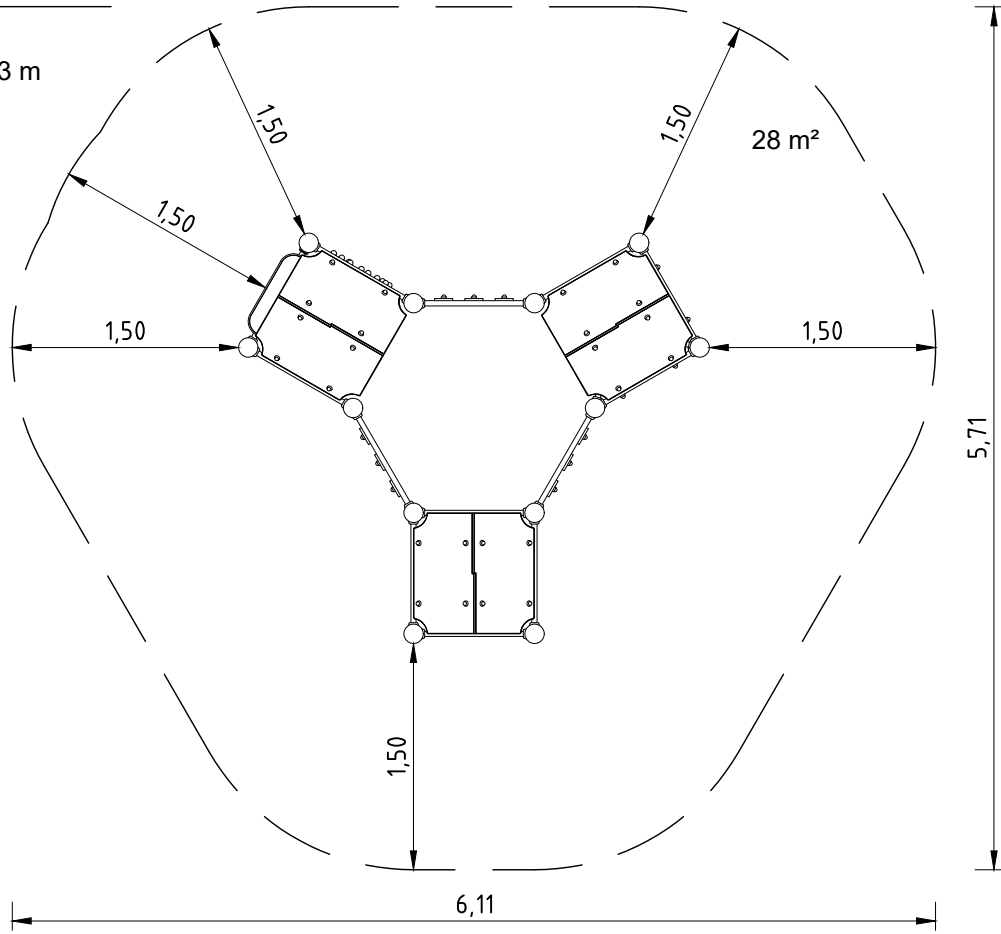
0,8 m³

Foundation details



Top view & impact area

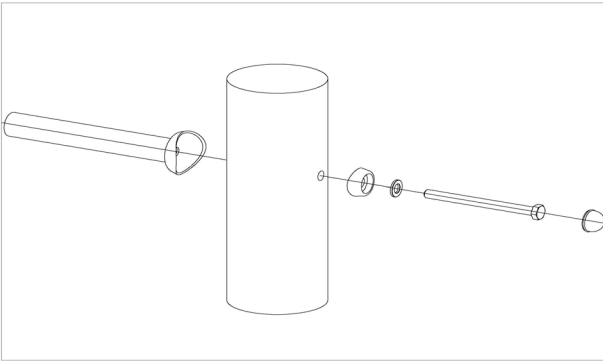
Minimum space
6,11 x 5,71 x 1,33 m



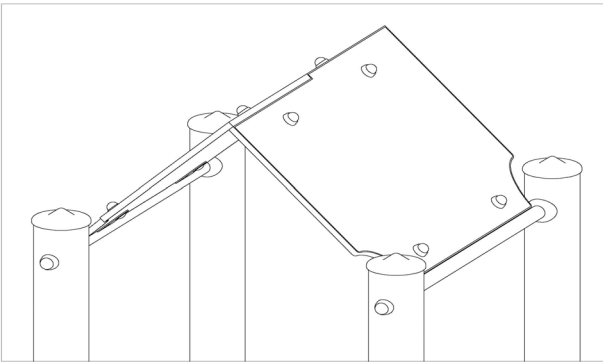
Item: 020053701
 Toddler's court

Order:

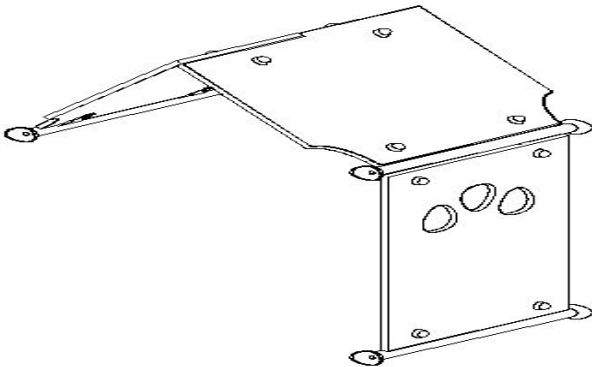
1298757

Location:
Building Project:
48 x SFRS1210001 Standard bolting of barriers, handrails, slides to Robinia posts


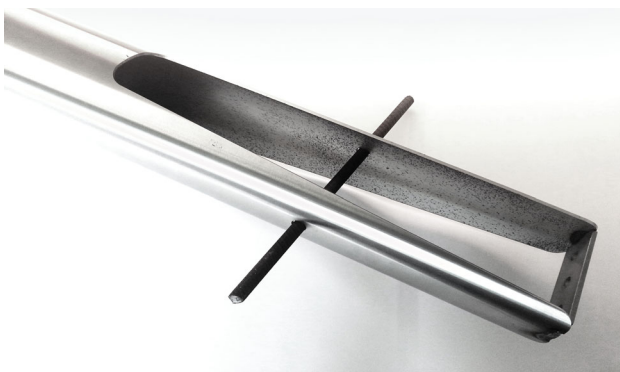
per SC	Total	K&K-Item	Marking
1 x	48 x	3300054	red protective screw cap - lower part, domed M12
1 x	48 x	3300055	Red protective screw cap - upper part, domed M12
1 x	48 x	3430025	Washer Ø 13 DIN125 A2
1 x	48 x	3400702	Hexagon head cap screw M12 x 160 DIN931 A2 with screw security coating FGB red

2 x SFAS1240002 Ridge roof 0,80 m x 0,80 m HPL panel fastening on double clips (bottom-sided)


per SC	Total	K&K-Item	Marking
4 x	8 x	3300056	white protective screw cap - lower part, M10
4 x	8 x	3430014	Washer Ø 10,5 DIN125 form B A2
4 x	8 x	3400024	Mushroom head screw M10 x 35 DIN603 A2
4 x	8 x	3430048	Lock nut M10 DIN985 A2
4 x	8 x	3300057	white protective screw cap - upper part, M10
2 x	4 x	6240003	double clip for tent roofs (angled at 90°)

1 x SFAS1240027 Ridge roof 0,80 m x 0,80 m HPL panel at stay tube and at the angle brackets on the inner side


per SC	Total	K&K-Item	Marking
6 x	6 x	3430048	Lock nut M10 DIN985 A2
6 x	6 x	3300057	white protective screw cap - upper part, M10
6 x	6 x	3430014	Washer Ø 10,5 DIN125 form B A2
6 x	6 x	3300056	white protective screw cap - lower part, M10
6 x	6 x	3400024	Mushroom head screw M10 x 35 DIN603 A2
2 x	2 x	6240003	double clip for tent roofs (angled at 90°)

12 x SFES1270007 Reinforcing steel for tubular pedestals


per SC	Total	K&K-Item	Marking
1 x	12 x	2130000	Reinforcing steel Ø 10 x 310 DIN 488

Item: **020053701**
Toddler's court

Order:

1298757

Location:

Building Project:

1 x SFWZ0000012 Lubricating metal (30g box) incl. brush



per SC	Total	K&K-Item	Marking
1 x	1 x	5300039	Lubricating metal box 30g
1 x	1 x	5200026	Brush for lubricating metal