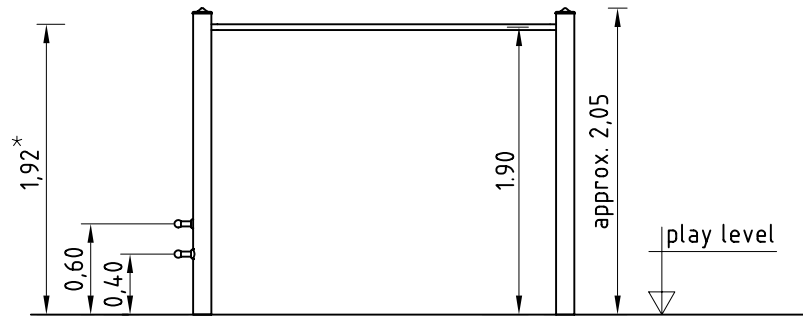
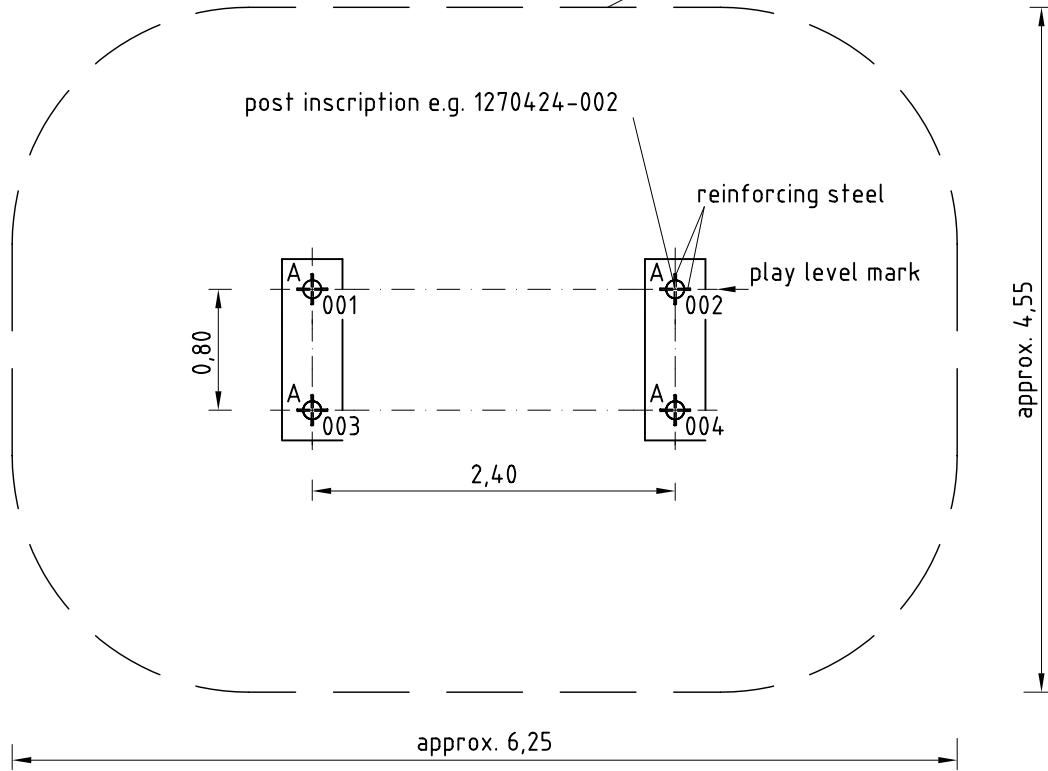


1. Assign location of equipment considering the space requirement/ impact area.
2. Excavate soil for foundations, according to drawing. Please note: To achieve a maximum of stability and a safe installation a medium weight solubility of soil is required.
3. Build in layer of gravel, approx. 10 cm thick, as a drainage between bottom side of steel post and bottom of foundation..
4. Put posts according to post number (e.g. 1270424-001) into their respective holes of foundations. Play level mark (blind rivet), conforms to the mounting depth of post. Fix reinforcing steel and align posts with the help of play level mark, according to detail drawing respectively installation plan. For installation all play level marks have to face in the same direction.
5. **Attention! For installation of the pre-assembled components resp. single parts the screws have to be lubricated with installation paste!**
Tighten all screws after having aligned all components.
Screw connections see detail on list of screw cases as annexed.
6. Grout in foundations with compressed concrete C20/25, chamfer the edges and cover with soil material so that the critical height of the surfacing shall be equal or greater than the free height of fall of the equipment (acc. to EN 1176 - 1).
7. Release for play after concrete foundations have set.
8. Check all screw connections acc. to maintenance instructions after 4-5 weeks and screw down again if necessary.

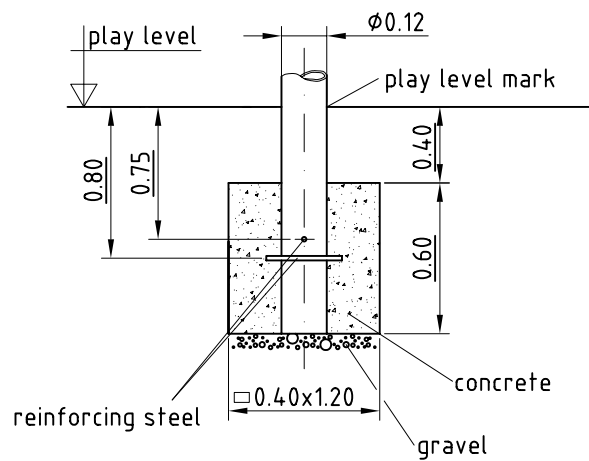
Please take care that all special tools (e.g. special Allen key for secured Allen screws etc.) and all specific documents which are or may be useful for safety management acc. to EN 1176-7 (e.g. invoice, delivery note, order acknowledgement, installation instructions, maintenance instructions) are forwarded to the responsible persons.



* max. free height of fall impact area = approx. 27 m²



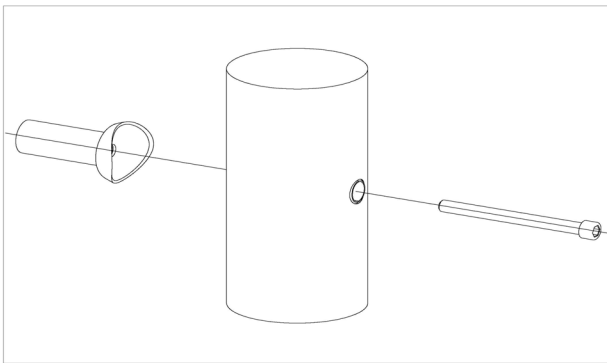
Type A
scale 1:20



Item: **0-53182-500**
 K&K Hand-over-hand ladder
 Location: Building Project:

Order: 1292476

6 x SFES1210001 Standard bolting of add-on pieces intended to connect ES120-add-on pieces (except platforms) at support post



per SC	Total	K&K-Item	Marking
1 x	6 x	2030168	Cheese head screw M12x140 with pin Intended to connect ES120-add-on pieces (except platforms) at support post

4 x SFES1270001 Reinforcing steel for stainless steel post



per SC	Total	K&K-Item	Marking
2 x	8 x	2030199	Reinforcing steel ES120 Ø 12 x 250 1.4301

1 x SFWZ0000009 Hexagon insert socket driver 10mm 1/2" with borehole for Pin



per SC	Total	K&K-Item	Marking
1 x	1 x	2030170	Hexagon insert socket driver 10 mm 1/2" with drill hole for Pin

1 x SFWZ0000014 Lubricating metal, bag (4g)



per SC	Total	K&K-Item	Marking
1 x	1 x	5300024	lubricating metal 4g